



AMPED[®] 425

COMPOUND CROSSBOW

| Owner's Manual |





WELCOME

We're honored that you've selected the Amped 425 Compound Crossbow. Whether this crossbow is a gift for yourself or a way for you to help welcome others into the hunters' way of life, we trust it will impress.

Once its contents are assembled, this box contains everything you'll need to get started—except a crossbow approved target. For hunting, we recommend a 100-grain broadhead, which can be attached to the included carbon arrows, and which are the correct weight and size for use with the Amped 425.

For your own safety:

PLEASE READ THIS ENTIRE OWNER'S MANUAL BEFORE USING YOUR AMPED 425 COMPOUND CROSSBOW.

Crossbows—including the Amped 425—are intended for hunting and target shooting. If used incorrectly or carelessly, they can injure or kill you and those around you. We want you to take your best shot—and only your best shot. BE CAREFUL—SHOOT SAFELY!

If this is your first CenterPoint crossbow, you may welcome some extra guidance before you first cock, load, or fire your Amped 425. If you have any questions or concerns about this product, its proper assembly, or safe use, please contact us via centerpointarchery.com/contact-support. Our customer service experts are available Monday through Friday, from 9AM to 4:30PM CST, and we're happy to help you.

WELCOME TO THE CENTERPOINT FAMILY

You were born for this.

⚠ WARNING: RECOMMENDED FOR ADULT USE ONLY. MISUSE OR CARELESS USE MAY RESULT IN SERIOUS INJURY OR DEATH. READ ALL INSTRUCTIONS BEFORE USING. RETAIN INSTRUCTIONS AND SAFETY MANUAL FOR FUTURE REFERENCE.

⚠ WARNING: ALWAYS KEEP YOUR HANDS, FINGERS, AND THUMBS OUT OF THE TRAVEL PATH OF THE BOWSTRING AND CABLES AND BELOW THE RAIL WHEN A CROSSBOW IS COCKED.

⚠ WARNING: BUYER AND USER HAVE THE DUTY TO OBEY ALL LAWS ABOUT THE USE AND OWNERSHIP OF THIS CROSSBOW.

⚠ WARNING: THIS PRODUCT CAN EXPOSE YOU TO CHEMICALS INCLUDING LEAD, WHICH IS KNOWN TO THE STATE OF CALIFORNIA TO CAUSE CANCER, AND LEAD, WHICH IS KNOWN TO THE STATE OF CALIFORNIA TO CAUSE BIRTH DEFECTS OR OTHER REPRODUCTIVE HARM. FOR MORE INFORMATION, GO TO WWW.P65WARNINGS.CA.GOV.

Section 1: Safety

Please do not skip reading this page. The following rules are essential for safe crossbow use and maintenance.

- ALWAYS treat this crossbow as though it is loaded and ready to fire.
- ALWAYS treat this crossbow with the same respect you would a firearm.
- ALWAYS store this crossbow unloaded and away from children.
- ALWAYS make sure that this crossbow is unloaded and its safety switch is set to SAFE before transferring it to or from another person, or taking it out of storage.
- ALWAYS keep this crossbow's safety switch set to SAFE until you are ready to shoot.
- ALWAYS be sure of your target and what is potentially behind your target.
- ALWAYS check your archery backstop for wear before and after target shooting. All target backstops are subject to wear and will eventually fail. Replace your target backstop when the surface becomes worn or damaged.
- ALWAYS check your crossbow thoroughly for worn, damaged, loose, or missing parts prior to shooting.
- ALWAYS check your rope cocking device thoroughly for worn, damaged, loose, or missing parts prior to use.
- ALWAYS inspect your arrows regularly. Shooting a damaged arrow may cause you or those near you serious injury. Any nicked, dented, split, or splintered arrows should be discarded immediately.
- ALWAYS keep your hands, fingers, and thumbs out of the travel path of the bowstring and cables and below the rail when a crossbow is cocked.
- ALWAYS be sure the crossbow's limbs are clear from striking any obstacle before shooting. Firing will allow the limbs to decompress with dramatic force. If doing so causes crossbow limbs to strike an obstacle, the crossbow and the obstacle may both suffer significant damage.
- ALWAYS wear safety glasses when using any type of bow.
- NEVER use this crossbow with a target that is not designed for use with a crossbow. Arrows fired from this crossbow can easily penetrate inferior targets and worn backstops.
- NEVER cock or load this crossbow until you are ready to shoot.
- NEVER point this crossbow at any person or at anything you do not intend to shoot.
- NEVER rely on this crossbow's auto-safety or any other mechanical device as a replacement for safe handling practices.
- NEVER put your finger on the trigger or inside the trigger guard until you are ready to shoot.
- NEVER dry fire this crossbow. Shooting without an arrow nocked will damage your crossbow and could injure you.
- NEVER shoot any arrow, bolt, or projectile from this crossbow except for those recommended by CenterPoint for use with the Amped 425 Compound Crossbow. Shooting non-recommended projectiles could result in injury to you or damage to the crossbow. ONLY load 20" arrows with a half moon nock with a finished weight of 400 grains or above in an Amped 425 Compound Crossbow.
- NEVER cock your crossbow beyond its maximum power stroke or you may damage its limbs, cables, and/or bowstring.
- NEVER use your hand, the rope cocker, or approved cranking device to de-cock this crossbow as it may cause serious injury to you or damage to the crossbow.
- NEVER attempt to disassemble or tamper with this crossbow, as special tools are required. Contact an archery shop for assistance. Attempting to modify this crossbow in any way not described in this Owner's Manual may render this crossbow unsafe and will void the warranty.

Section 2: Meet the Amped 425

PARTS LIST

Please check to ensure all parts are present before attempting assembly.

Crossbow

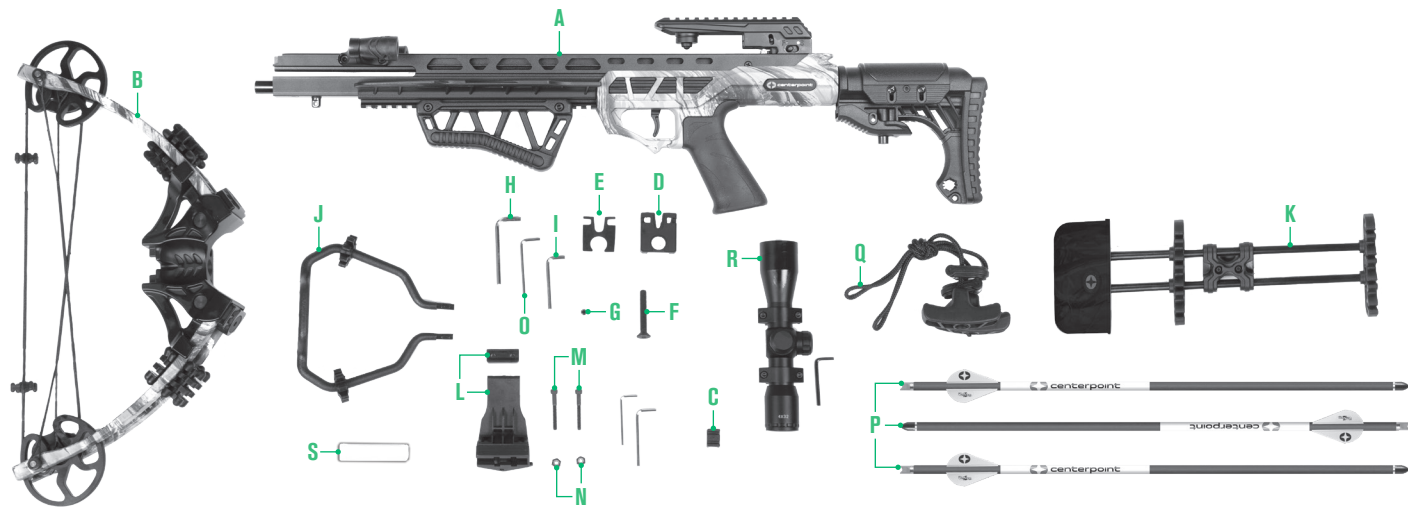
- A** Crossbow main body (stock)
- B** Limbs and riser assembly
- C** Cable slide
- D** Joint cap
- E** Foam joint cap pad
- F** Riser bolt

- G** Riser bolt locking screw
- H** Large hex wrench
- I** Small hex wrench
- J** Stirrup
- K** Quiver
- L** Quiver mount (2 pieces)

Accessories

- M** 2 quiver mount screws
- N** 2 quiver bracket locking nuts
- O** Quiver hex wrench
- P** Three 20" carbon arrows with half moon nocks and field points

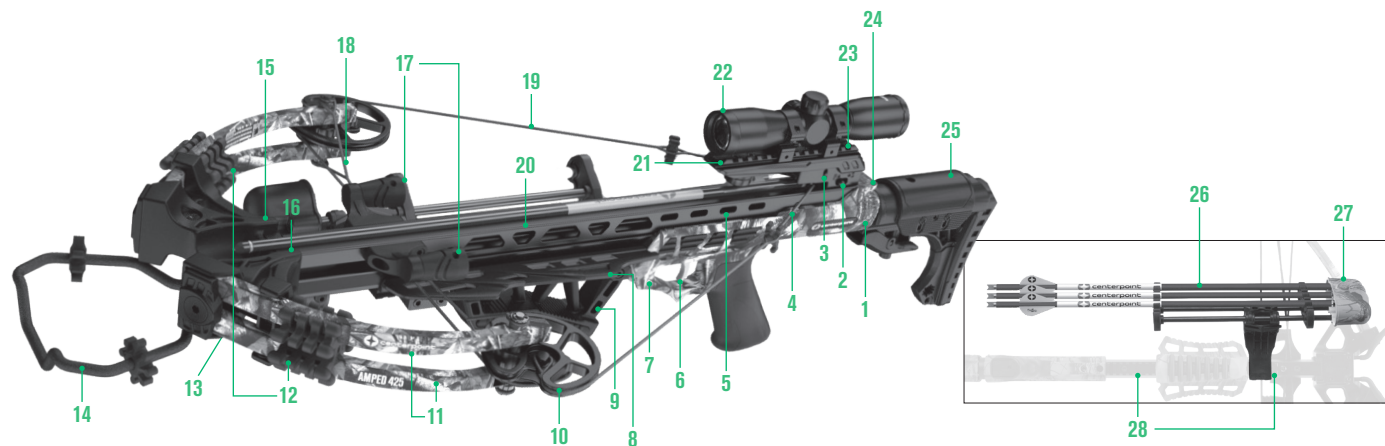
- Q** Rope cocker
- R** 4x32 mm scope
- S** Rail lube



THE PARTS OF AN AMPED 425 CROSSBOW

Familiarizing yourself with the terminology used to describe the parts of a crossbow will aid you during assembly. This schematic shows a fully assembled, cocked, and loaded Amped 425 Compound Crossbow.

- | | | | |
|-------------------------------------|----------------------------------|---|---|
| 1 Stock | 8 Finger guard | 15 Riser | 22 Scope |
| 2 Safety switch | 9 Adjustable foregrip | 16 Flight groove | 23 Top picatinny rail |
| 3 Cocking preparation switch | 10 Cam | 17 String stops | 24 Rope groove |
| 4 Bowstring serving | 11 Split limb | 18 Cables | 25 Adjustable butt stock and cheek piece |
| 5 Flight rail | 12 Limb dampeners | 19 Bowstring | 26 Arrows |
| 6 Trigger | 13 Stirrup mounting holes | 20 Barrel | 27 Quiver |
| 7 Trigger guard | 14 Stirrup | 21 Ball bearing retention spring | 28 Bottom picatinny rail |



Section 3: Assembling Your Amped 425

Please visit centerpointarchery.com/amped-425#dm to find a helpful video that walks you through assembling the Amped 425, step-by-step.

It should take you about 30-minutes to properly assemble your Amped 425 Compound Crossbow. Beyond the materials and tools supplied, you will also need a flat-head screwdriver. Please follow the steps below in order:

- 1** First, attach the cable slide (Part C) to the cables on the left side of the riser by clipping the two cables into the two grooves in the cable slide. The wider end of the cable slide should face towards the back of the crossbow, as pictured in Figure 1.
- 2a** Next, orient the limbs and riser assembly (Part B) so that bowstring (Part 19) rests on top of the flight rail (Part 5) and the cable slide fits into the opening at the end of the rail. The side of the cable slide with the open groove should face up, with the wider opening facing the back of the crossbow, so that it smoothly slots into the rail opening. See Figure 2.
- 2b** As you slide the cable slide down into the rail, lower the front of the limbs and riser assembly so that the bowstring clears the string stops (Part 17) and the cable slide can reach the back of the channel in the rail.
- 3** Remove the white backing from the foam joint cap pad (Part E) and stick it to the flat side of the joint cap (Part D).
- 4** Slide the joint cap onto the rail, with the foam joint cap pad facing out, until it is fully seated, as seen in Figure 2.
- 5** Lift the limbs and riser assembly so that the cylinder extending through the joint cap slots into the hole on the inside middle of the riser (Part 15). The joint cap should remain seated firmly against the rail and the foam joint cap pad should cushion the riser where it meets the joint cap.
- 6** Install and tighten the riser bolt (Part F) using the large hex wrench (Part H). As you tighten the bolt, the limbs and riser assembly should become flush with the joint cap. Tighten the riser bolt all the way down. See Figure 3.
- 7** Insert the riser bolt locking screw (Part G) and firmly tighten it down using the small hex wrench (Part I). This helps prevent the riser bolt from loosening during crossbow use. See Figure 4.
- 8a** Insert the two prongs of the stirrup (Part J) into the stirrup mounting holes (Part 13) in the riser. The retention grooves on the bottom of the stirrup should align with the set screw holes on the bottom of the limbs and riser assembly. See Figure 5.
- 8b** Tighten the 2 pre-inserted stirrup set screws using the small hex wrench, as seen in Figure 6.
- 9a.** To install the quiver, first insert the 2 quiver bracket locking nuts (Part N) in the back of the larger piece of the quiver mount (Part L). See Figure 7.
- 9b** Connect the two pieces of the quiver mount by inserting the 2 quiver mount screws (Part M) through the small piece of the quiver mount and into the larger piece, so that the quiver mount clips into the bottom picatinny rail (Part 28) under the barrel, in front of the foregrip (Part 8). Screw the two pieces of the quiver mount together using the quiver hex wrench (Part O).
- NOTE:** The quiver can be mounted so that the arrows are on either side of the crossbow. Right-handed users will want the quiver on the right side and vice versa. This positioning helps ensure that your finger is off the trigger while you are loading the crossbow.
- 9c** Connect the quiver to the quiver mount by sliding the tab on the quiver (Part K) into the slot on the quiver mount and then locking it in place by depressing the locking lever on the mount. Test to make sure the quiver is held securely. To remove the quiver, first lift the locking lever and then slide the quiver out of the quiver mount.
- 10a** To install the scope (Part R), position your scope on the top picatinny rail (Part 23) so that your eye can focus on the image seen through it properly. Typically, this position is 3 to 4" from your eye when you are holding the crossbow in shooting position. Each scope mount ring has an attachment screw that runs perpendicularly across its bottom side. These screws will nest in the grooves in the top picatinny rail. You may wish to adjust your crossbow (see Section 4) before positioning your scope. See Figure 8.
- 10b** When you have found the optimal position for your scope, tighten the two attachment screws using a flathead screwdriver to affix the scope to the top picatinny rail.

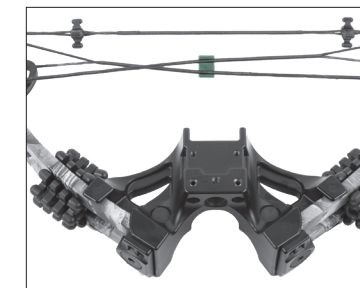


FIGURE 1

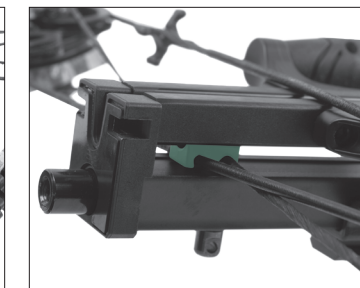


FIGURE 2



FIGURE 3

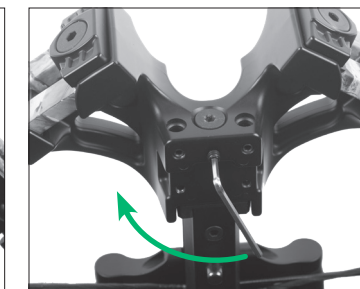


FIGURE 4

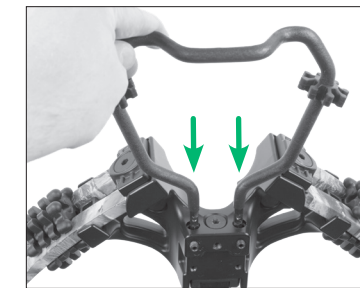


FIGURE 5

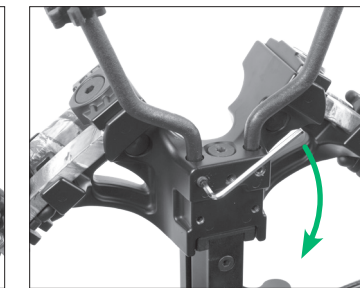


FIGURE 6

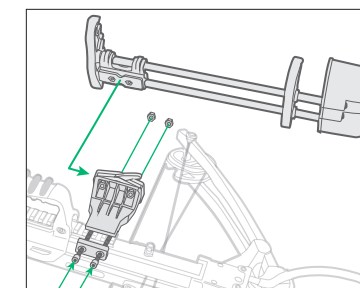


FIGURE 7



FIGURE 8



Section 4: Adjusting Your Amped 425

Before first use, take the time to make sure your crossbow fits you for optimal comfort and safety.

To adjust the butt stock (Part 25), press the lever found on the bottom front of the stock, as seen in Figure 9. While the lever is depressed, slide the stock from position 0 (shortest) to 5 (longest). Position numbers are viewable from the top of the crossbow, through a hole through the cheek piece. Release the lever to lock the butt stock into place.

To adjust the cheek piece, loosen the 4 screws holding it in place (found 2 on each side) and slide the cheek piece up or down into the position you find most comfortable. When finished, tighten the screws to lock it into place.

To adjust the foregrip (Part 8), loosen the two foregrip screws found on the left side of the crossbow, as seen in Figure 10. Once loose, you can slide the foregrip forward or backward along the bottom picatinny rail. When finished, tighten the screws to lock it into place.

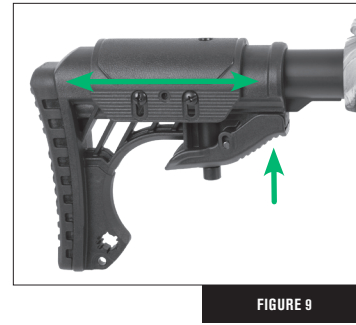


FIGURE 9

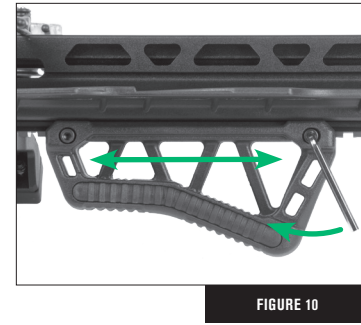


FIGURE 10

Section 5: Using Your Amped 425

COCKING THE AMPED 425

WARNING: ONCE YOU COCK YOUR AMPED 425 COMPOUND CROSSBOW, YOU WILL NEED TO FIRE AN ARROW TO SAFELY DE-COCK IT.

WARNING: ONLY COCK YOUR AMPED 425 IF YOU ARE IN A PLACE AND SITUATION IN WHICH FIRING AN ARROW IS DESIRED.

WARNING: DRY FIRING OR ATTEMPTING TO MANUALLY DE-COCK THE AMPED 425 USING YOUR HANDS, THE ROPE COCKER, OR APPROVED CRANKING DEVICE MAY CAUSE YOU SERIOUS INJURY AND/OR DAMAGE THE CROSSBOW.

WARNING: LEAVING THE AMPED 425 COCKED FOR AN EXTENDED LENGTH OF TIME IS UNSAFE AND CAN DAMAGE THE CROSSBOW.

To cock your Amped 425, first check that the safety switch (Part 2) is set to (F)IRE. If the trigger is locked, the safety switch is in the (S)AFE position and the Amped 425 will NOT COCK. (The safety will automatically engage when the crossbow is cocked.)

To disengage the safety for cocking, lift the cocking preparation switch (Part 3) and slide the safety switch forward to the (F)IRE position. Only use the cocking preparation switch to disengage the safety for cocking.

CAUTION: IF YOU USE THE COCKING PREPARATION SWITCH WHILE THE CROSSBOW IS COCKED, YOU WILL DISENGAGE THE ANTI-DRY FIRE MECHANISM, WHICH IS UNSAFE AND MAY RESULT IN SERIOUS INJURY.

The safety is disengaged and the crossbow is ready to be cocked when the safety switch has moved from the (S)AFE position, under the white dot, to the (F)IRE position, under the red dot, as illustrated in Figure 11.

Next, confirm that your flight rail (Part 5) is properly lubricated. To lubricate your flight rail, rub a little bit of the included rail lube on each side of the flight rail. Using your finger, wipe the lube along the flight rail on both sides, to cover its length up to the string stops (Part 17). We recommend you apply rail lube every 12 to 15 shots.

WARNING: THE AMPED 425 IS MOST SAFELY AND EASILY COCKED USING THE ROPE COCKER OR CRANKING DEVICE SUPPLIED. USE OF ANY OTHER ROPE COCKER OR CRANKING DEVICE MAY BE UNSAFE AND MAY DAMAGE YOUR CROSSBOW.

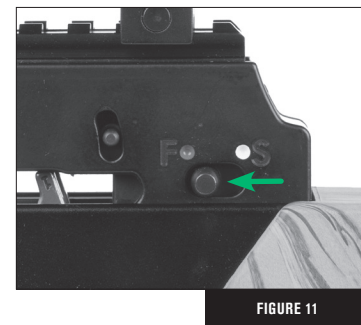


FIGURE 11

Section 5: Using Your Amped 425 (continued)

Set the stirrup (Part 14) on the ground and place either of your feet securely through it.

Place the center of the included rope cocker in the rope groove (Part 24) found just above where the butt stock connects to the stock.

Hook the two rope cocker hooks, face up, onto the bowstring (Part 19), so that they flank the flight rail (Part 5). See Figure 12.

Pull both T-shaped handles of the rope cocker up simultaneously while pressing down into the stirrup. Doing this will draw the bowstring under the ball bearing retention spring (Part 21) and into the trigger mechanism. When the crossbow is successfully cocked, the bowstring will be captured by the trigger latch and the safety switch will automatically click from (F)IRE to the (S)AFE position. See Figures 13 and 14.

When you hear the safety engage, slowly and carefully ease off of the tension you're putting on the rope cocker. If the crossbow is correctly cocked, the trigger latch will hold the bowstring. If the bowstring remains free, continue pulling up on the rope cocker until the crossbow is cocked.



FIGURE 12



FIGURE 13

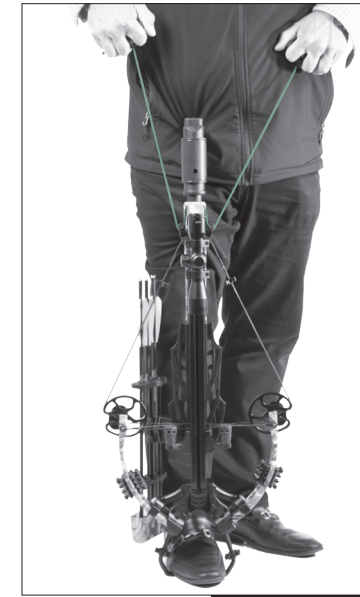


FIGURE 14

CAUTION: COCKING THE AMPED 425 ENGAGES THE TENSION OF THE BOWSTRING AND CABLES AND REQUIRES EFFORT. IF YOU NEED TO RELEASE THIS TENSION BEFORE THE CROSSBOW IS FULLY COCKED, DO SO SLOWLY AND CAREFULLY TO AVOID INJURY TO THE USER OR DAMAGE TO THE CROSSBOW.

Remove the rope cocker hooks from the bowstring and the rope from the rope groove. Your Amped 425 is now cocked and ready for loading.

ENGAGING THE SAFETY

When properly engaged, the Amped 425 Compound Crossbow safety disables the trigger and prevents accidental firing. The safety is automatically engaged when the crossbow is cocked.

CAUTION: NEVER RELY ON A MECHANICAL DEVICE, SUCH AS THE SAFETY, TO REPLACE SAFE HANDLING PRACTICES. ALWAYS HANDLE A CROSSBOW AS IF THE SAFETY WAS NOT ENGAGED. LIKE ALL MECHANICAL DEVICES, A CROSSBOW SAFETY CAN FAIL.

Before loading an arrow, make sure the safety is engaged. When the safety is engaged, the safety switch will be under the (S)AFE position and the white dot.

To manually engage the safety, slide the safety switch (Part 2) backwards until you hear and feel the safety switch click into place. Confirm that the safety switch has moved from under the (F)IRE position and the red dot to under the (S)AFE position and the white dot, as illustrated in Figure 15.

WARNING: IF, FOR ANY REASON, THE SAFETY SWITCH WILL NOT FULLY CLICK INTO THE (S)AFE POSITION WHILE THE CROSSBOW IS COCKED, SAFELY DE-COCK THE CROSSBOW BY FIRING AN ARROW AT A SAFE TARGET. DO NOT USE THE CROSSBOW OR ATTEMPT TO COCK IT. PLEASE CALL CENTERPOINT ARCHERY CUSTOMER SERVICE AT (866) 726-1122 TO ARRANGE FOR AUTHORIZED REPAIR.

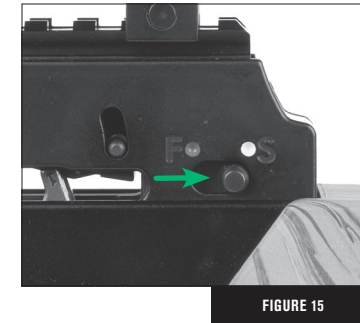


FIGURE 15



Section 5: Using Your Amped 425 (continued)

LOADING THE AMPED 425

⚠ WARNING: ALWAYS KEEP THE SAFETY SET TO (S)AFE UNTIL YOU ARE READY TO FIRE.

Before loading an arrow into the Amped 425, check to see that the safety switch is set to (S)AFE and the crossbow is aimed in a safe direction.

Make sure that the arrow you are loading is undamaged and approved for use with the Amped 425. Only use 20" arrows with a half moon nock with a finished weight above 400 grains.

To load the Amped 425, hold an arrow between two fingers near its broadhead or field point, keeping your hands away from the nock end. Doing this allows you to load your crossbow without placing any part of your hand in the path of the bowstring, as illustrated in Figure 16.



FIGURE 16

⚠ WARNING: ALWAYS KEEP YOUR HANDS, FINGERS, AND ALL OTHER BODY PARTS OUT OF THE TRAVEL PATH OF THE BOWSTRING AND CABLES WHEN THE CROSSBOW IS COCKED. FAILURE TO FOLLOW THIS WARNING COULD LEAD TO SERIOUS INJURY OR DEATH.

With the odd colored fletching face down in the flight groove, slide the nock back towards the trigger assembly until it fully connects with the bowstring. In the included arrows, the odd colored fletching is white.

DISENGAGING THE SAFETY

With the crossbow aimed in a safe direction and an arrow loaded, slide the safety switch (Part 2) forwards until you hear and feel the safety switch click off. The safety is disengaged and the crossbow is ready to be cocked or fired when the safety switch has moved from under the (S)AFE position and the white dot, to under the (F)IRE position and the red dot, as illustrated in Figure 11 on page 4.

CAUTION: DO NOT USE THE COCKING PREPARATION SWITCH (PART 2) TO DISENGAGE THE SAFETY IF THE CROSSBOW IS COCKED OR YOU WILL TURN OFF THE ANTI-DRY FIRE MECHANISM. ONLY USE THIS SWITCH TO DISENGAGE THE SAFETY IF THE CROSSBOW IS SET TO (S)AFE AND YOU WANT TO COCK THE CROSSBOW.

AIMING AND FIRING THE AMPED 425

⚠ WARNING: NEVER PLACE ANY PART OF YOUR BODY (INCLUDING HANDS OR FINGERS) INTO THE TRAVEL PATH OF THE BOWSTRING OR CABLES. KEEP YOUR FRONT HAND ON THE FOREGRIP OF THE STOCK BELOW THE TRAVEL PATH OF THE STRING AND CABLES AT ALL TIMES (SEE FIGURE 17). FAILURE TO FOLLOW THIS WARNING COULD LEAD TO SERIOUS INJURY OR DEATH.

(For instructions on sighting through and adjusting the included scope, see the included Scope Owner's Manual.)

Before firing your Amped 425, confirm:

- you are aimed at a safe target and aware of what is potentially behind your target;
- you and others around you are wearing suitable eye protection;
- all parts of your body, including your hands, fingers, and thumbs are clear of the travel path of the bowstring and cables;
- you are not aimed at a hard surface or the surface of water, as arrows may ricochet and hit an unintended target;
- the limbs and cams of the crossbow have adequate clearance to expand upon firing. When you fire, they will release away from the stock with great force and can cause injury to anyone or damage to anything they come in contact with, or become damaged themselves; and
- the safety switch is set to (S)AFE



FIGURE 17



FIGURE 18

With the cocked and loaded crossbow pointed at your target, place the butt stock (Part 25) against the shoulder of your dominant arm, your non-dominant hand on the foregrip (Part 8), and your dominant hand on the grip, with your fingers outside of the trigger guard (Part 7). All parts of both hands, fingers, and thumbs should be below the finger guards (Part 9) and out of the travel path of the bowstring, as illustrated in Figures 17 and 18.

With the crossbow still aimed at a safe target, release the safety by pushing the safety switch forward from (S)AFE to (F)IRE. You will hear a "click" when the safety has been fully disengaged.

Your Amped 425 Compound Crossbow is now ready to fire. To release an arrow, double-check you are safe to fire, place your finger on the trigger, and pull the trigger back smoothly.

Section 6: Maintaining Your Amped 425

NEVER DRY FIRE THE CROSSBOW. See Section 5 for instructions on how to safely de-cock your Amped 425.

DO NOT MODIFY THE AMPED 425 IN ANY WAY. Attempts to modify the Amped 425 Compound Crossbow in a way not covered by this Owner's Manual may render the crossbow unsafe and/or result in serious injury or death. Modification of the Amped 425 will void the warranty.

ALWAYS check the crossbow thoroughly for worn, damaged, loose, or missing parts prior to use. If your Amped 425 is worn or damaged, call customer service for assistance before using the crossbow.

If you drop the crossbow, inspect the bow for damage and then, during the cocking process, make certain that everything feels and behaves as normal before use. If anything feels as if it has changed, STOP immediately. Discontinue use of the crossbow until it has been inspected by a professional.

To prevent rust and corrosion, periodically place a light coat of silicon-based lubricant on all metal parts.

To reduce bowstring fraying and wear, rub a little of the included rail lube on each side of the flight rail. Using your finger, wipe the lube along the flight rail, on top of both sides, to cover its length up to the string stops (Part 17). We recommend you apply rail lube after every 12 to 15 shots.

You should also lubricate the bowstring with bowstring wax (not included). First, clean off any old, built up wax, but DO NOT wax the specially wrapped center section of bowstring, called the serving, which comes in contact with the flight rail. Waxing the serving may cause a buildup of wax in the trigger mechanism. Once you have applied bowstring wax, rub it in gently using first your fingers and then a clean cloth.

When your bowstring begins to look worn or frayed, it needs to be changed using a bow press. Contact an archery shop to have this service handled professionally. It cannot be done without professional equipment.

Before firing any arrow, inspect it carefully for wear, damage, or nicks. Even small flaws or minor damage can cause an arrow to shatter explosively when fired from a crossbow, causing you and those nearby severe injury. Dispose of all damaged arrows properly and as required by local laws and regulations.

Store your crossbow in a cool, dry place.

Protect your crossbow from excessive heat, such as that encountered in an automobile trunk on a hot day or near furnace vents.

If your arrows are falling out of contact with the bowstring once loaded, you may need to replace your crossbow's ball bearing retention spring (Part 21). This piece holds the arrow in place after it's loaded.

To replace the Amped 425 ball bearing retention spring:

- Contact CenterPoint Customer Service at centerpointarchery.com/contact/ to order the correct parts.
- Remove the 4x32 mm scope (if attached) from the top picatinny rail (Part 23) by loosening the two attachment screws.
- Remove the two rear-most hex screws from the top picatinny rail, as seen in Figure 19A.
- Lift the top picatinny rail off of the stock.
- Remove the two remaining forward-most screws from the top of the top picatinny rail, as seen in Figure 19B.
- Remove and replace the retention spring, screwing it and then the top picatinny rail back into place by reversing the above instructions.

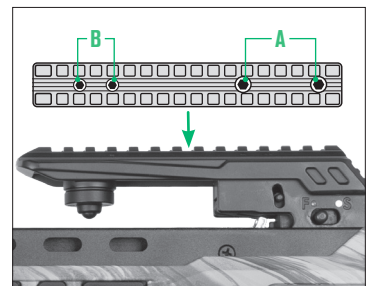


FIGURE 19



SPECIFICATIONS

FPS	Up to 425 Feet Per Second	OPTICS	4x32 mm Scope
DRAW WEIGHT	195 lbs.	SAFETY	Automatic, Ambidextrous
KINETIC ENERGY	160 ft. lbs.	MASS WEIGHT	7.8 lbs.
POWER STROKE	14.5 in.	LENGTH	36 in.
LIMBS	Compression Fiberglass Quad Limbs	AXLE TO AXLE WIDTH	12 in. Cocked, 15.75 in. Uncocked
STOCK	Composite	ARROW	20"—400 gr. with Half Moon Nock
RISER/RAIL	Aluminum		

LIMITED WARRANTY FOR CENTERPOINT CROSSBOWS

Your CenterPoint® crossbow is warranted to be free of defects in materials and workmanship for 5 years from the date of purchase. This warranty is not transferable and as such is limited to the original owner. This warranty does not cover damages due to fair wear and tear, failure to provide routine maintenance, and does not include cables, strings, or accessories. In the event of a defect under this warranty, CenterPoint Archery will, at our option, repair or replace the product provided our inspection indicates that an original defect exists. CenterPoint reserves the right to replace any product which is no longer available with a product of comparable value and function. If CenterPoint determines the repair is not covered under the warranty guidelines, there could be a charge to you for the repair. This is a limited warranty and does not cover damages caused by dry fire, misuse, improper handling, or installation or maintenance provided by someone other than a CenterPoint Authorized Service Station.

THIS LIMITED WARRANTY DOES NOT INCLUDE CONSEQUENTIAL DAMAGES, INCIDENTAL DAMAGES, OR INCIDENTAL EXPENSES, INCLUDING DAMAGE TO PROPERTY OR ANY OTHER EXPENSE. CENTERPOINT DISCLAIMS ANY IMPLIED WARRANTIES, INCLUDING THE IMPLIED WARRANTIES OF MERCHANTABILITY AND FITNESS. SOME STATES DO NOT ALLOW THE EXCLUSION OR LIMITATION OF INCIDENTAL OR CONSEQUENTIAL DAMAGES, OR ALLOW LIMITATIONS ON IMPLIED WARRANTIES SO THE ABOVE LIMITATIONS OR EXCLUSIONS MAY NOT APPLY TO YOU. TO THE EXTENT ANY PROVISION OF THIS WARRANTY IS PROHIBITED BY FEDERAL, STATE, OR MUNICIPAL LAW, WHICH CANNOT BE PREEMPTED, IT SHALL NOT BE APPLICABLE. THIS WARRANTY GIVES YOU SPECIFIC LEGAL RIGHTS, AND YOU MAY ALSO HAVE OTHER RIGHTS, WHICH VARY FROM STATE TO STATE AND COUNTRY TO COUNTRY.

STOP – BEFORE YOU RETURN THIS PRODUCT TO THE STORE:

Contact our Customer Service representatives for help at (866) 726-1122 or through centerpointarchery.com.

WARRANTY CLAIMS / REPAIR SERVICE

If your product needs repair, DO NOT ATTEMPT TO DISASSEMBLE IT. Any disassembly or modification not performed by a CenterPoint Authorized Service Station will void the warranty.

U.S. Customers: Contact CenterPoint Customer Service through centerpointarchery.com/contact/, or at the below mailing address. We'll let you know where and how to send in your CenterPoint product for repair or replacement under warranty, or refer you to an authorized service center.

CenterPoint Archery
Attn: Warranty Dept.
3535 Tower Ave
Superior, WI 54880

If instructed to ship your CenterPoint product for warranty repair or replacement, please include your product, a copy of your receipt, and a brief written description of the problem you've encountered. Be sure to also include your name, mailing address, email address, and telephone number inside the package.

We strongly recommend insuring your shipment and using a service that provides a tracking number. CenterPoint is not liable for any merchandise damaged, lost, or stolen during shipping to or from CenterPoint.

Please allow from 2 to 4 weeks for warranty repair or replacement.

Canadian Customers: For warranty service, please contact the Gravel Agency in Quebec at (866) 662-4869.

Customers Outside of the U.S. or Canada: For warranty service, please contact the dealer or distributor from whom you purchased your CenterPoint product. If you do not know or cannot contact your dealer or distributor, our International Department may be reached for assistance at (585) 657-6161 or through centerpointarchery.com.



CenterPoint Archery
3535 Tower Ave.
Superior, WI 54880
United States of America
1.866.726.1122
centerpointarchery.com

Made in Taiwan
CENTERPOINT, the CENTERPOINT logo, AMPED, and Power Draw are trademarks of Crosman Corporation.
CenterPoint is a trademark of Crosman Corporation in the United States. © 2020 Crosman Corporation 11-20 OM



AMPED® 425

BALLESTA COMPUESTA

[Manual del usuario](#)



AXCA200FCKB515



BIENVENIDO

Nos sentimos honrados de que haya seleccionado la Ballesta Compuesta Amped 425. Sea esta ballesta un regalo para usted o una forma de ayudar a dar la bienvenida a los demás al modo de vida de los cazadores, confiamos en que dejará una impresión.

Una vez que se ensamble su contenido, esta caja contiene todo lo que necesita para comenzar, excepto un blanco aprobado para ballestas. Para la cacería, recomendamos una punta ancha de 100 granos, que se puede unir a las flechas de carbono incluidas y que son del peso y tamaño correctos para su uso con la Amped 425.

Para su seguridad:

LEA TODO ESTE MANUAL DEL PROPIETARIO ANTES DE USAR SU BALLESTA COMPUESTA AMPED 425.

Las ballestas –incluida la Amped 425– están diseñadas para cazar y tirar al blanco. Si se usan de forma incorrecta o descuidada, pueden causarles heridas o la muerte a usted y a los que le rodean. Queremos que haga su mejor disparo y sólo su mejor disparo. ¡SEA CUIDADOSO—DISPARE CON SEGURIDAD!

Si esta es su primera ballesta de CenterPoint, quizás le convenga alguna orientación adicional antes del primer amartillado, carga o disparo de su Amped 425. Si tiene alguna pregunta o inquietud sobre este producto, su montaje adecuado o uso seguro, no dude en ponerse en contacto con nosotros a través de centerpointarchery.com/contact-support. Nuestros expertos en servicio al cliente están disponibles de lunes a viernes, de 9 AM a 4:30 PM CST y estamos encantados de ayudarlo.

BIENVENIDO A LA FAMILIA CENTERPOINT

Usted nació para esto.

⚠️ ADVERTENCIA: SE RECOMIENDA ÚNICAMENTE PARA USO DE ADULTOS. EL USO INCORRECTO O DESCUIDADO PUEDE CAUSAR LESIONES GRAVES O LA MUERTE. LEA TODAS LAS INSTRUCCIONES ANTES DE USARLA. CONSERVE LAS INSTRUCCIONES Y EL MANUAL DE SEGURIDAD PARA CONSULTARLOS MÁS ADELANTE.

⚠️ ADVERTENCIA: CUANDO AMARTILLE UNA BALLESTA, MANTENGA SIEMPRE LAS MANOS, LOS DEDOS Y LOS PULGARES FUERA DE LA TRAYECTORIA DE RECORRIDO DE LA CUERDA DEL ARCO Y LOS CABLES, Y POR DEBAJO DEL RIEL.

⚠️ ADVERTENCIA: EL COMPRADOR Y EL USUARIO TIENEN EL DEBER DE OBEDEGER TODAS LAS LEYES ACERCA DEL USO Y PROPIEDAD DE ESTA BALLESTA.

⚠️ ADVERTENCIA: ESTE PRODUCTO PUEDE EXPONERLE A SUSTANCIAS QUÍMICAS, ENTRE ELLAS EL PLOMO, QUE EL ESTADO DE CALIFORNIA HA DETERMINADO QUE OCASIONAN CÁNCER Y DEFECTOS CONGÉNITOS U OTROS DAÑOS REPRODUCTIVOS. PARA OBTENER MÁS INFORMACIÓN, VAYA A WWW.P65WARNINGS.CA.GOV.

Sección 1: Seguro

No deje de leer esta página. Las siguientes reglas son esenciales para el uso y mantenimiento seguros de la ballesta.

- Trate SIEMPRE a la ballesta como si estuviera cargada y lista para disparar.
- Trate SIEMPRE a la ballesta con el mismo respeto que le tendría a un arma de fuego.
- Guarde SIEMPRE la ballesta descargada y lejos de los niños.
- Asegúrese SIEMPRE de que esta ballesta esté descargada y que su interruptor del seguro esté ajustado en SAFE (seguro activado) antes de transferirla hacia o desde otra persona, o sacarla del almacenamiento.
- Mantenga SIEMPRE el interruptor del seguro de esta ballesta en SAFE (seguro activado) hasta que esté listo para disparar.
- Asegúrese SIEMPRE de su blanco y lo que está potencialmente detrás de su blanco.
- Compruebe SIEMPRE el desgaste de su respaldo de arquería antes y después de cada uso. Todos los respaldos de blancos están sujetos a desgaste y con el tiempo fallarán. Reemplace el respaldo de su blanco si la superficie está desgastada o dañada.
- Antes de disparar, revise SIEMPRE la ballesta minuciosamente en busca de piezas desgastadas, dañadas, sueltas o faltantes.
- Antes de disparar, revise SIEMPRE cuidadosamente su dispositivo de amartillado de sogá, en busca de piezas desgastadas, dañadas, sueltas o faltantes.
- Inspeccione SIEMPRE sus flechas con regularidad. Disparar una flecha dañada puede causarles lesiones graves a usted o a las personas cercanas. Cualquier flecha mellada, abollada, partida o astillada debe desecharse inmediatamente.
- Mantenga SIEMPRE las manos, los dedos y los pulgares fuera de la trayectoria de recorrido de la cuerda del arco y los cables, y por debajo del riel cuando se amartille una ballesta.
- Antes de disparar, asegúrese SIEMPRE de que las palas de la ballesta no puedan golpear a ningún obstáculo. Disparar permitirá que las palas se descompriman con una fuerza drástica. Si hacerlo provoca que las palas de la ballesta golpeen un obstáculo, la ballesta y el obstáculo pueden sufrir daños significativos.
- Use SIEMPRE gafas de seguridad cuando utilice cualquier tipo de arco.
- NUNCA utilice esta ballesta con un blanco que no esté diseñado para su uso con una ballesta. Las flechas disparadas desde esta ballesta pueden penetrar fácilmente blancos inferiores y respaldos desgastados.
- NUNCA amartille ni cargue la ballesta sino hasta que esté listo para disparar.
- NUNCA apunte la ballesta a ninguna persona o cosa a las que no tenga intención de dispararles.
- NUNCA confíe en el seguro automático de esta ballesta o en cualquier otro dispositivo mecánico como reemplazo para las prácticas de manipulación segura.
- NUNCA coloque el dedo en el gatillo o dentro del guardamonte sino hasta que esté listo para disparar.
- NUNCA dispare la ballesta en seco. Disparar sin una flecha dañará su ballesta y podría herirle.
- NUNCA dispare una flecha, dardo o proyectil con esta ballesta excepto los recomendados por CenterPoint para su uso con la ballesta compuesta Amped 425. Disparar proyectiles no recomendados podría dar como resultado lesiones o que se dañe la ballesta. En una ballesta compuesta Amped 425, cargue ÚNICAMENTE flechas de 20" con culatín de media luna y con un peso acabado de 400 granos o más.
- NUNCA amartille su ballesta más allá de su golpe de potencia máximo o puede dañar sus palas, los cables o la cuerda de arco.
- NUNCA use la mano, el amartillador de cuerda o el dispositivo tensor de manivela aprobado para desamartillar esta ballesta, ya que puede causarles lesiones graves a usted o dañar la ballesta.
- NUNCA intente desmontar o manipular esta ballesta, ya que se requieren herramientas especiales. Póngase en comunicación con una tienda de arquería para obtener ayuda. Intentar modificar esta ballesta de cualquier manera que no esté descrita en este Manual del Propietario puede hacer que sea insegura y anulará la garantía.

Sección 2: Conozca la Amped 425

LISTA DE PIEZAS

Compruebe que todas las piezas estén presentes antes de intentar el ensamblado.

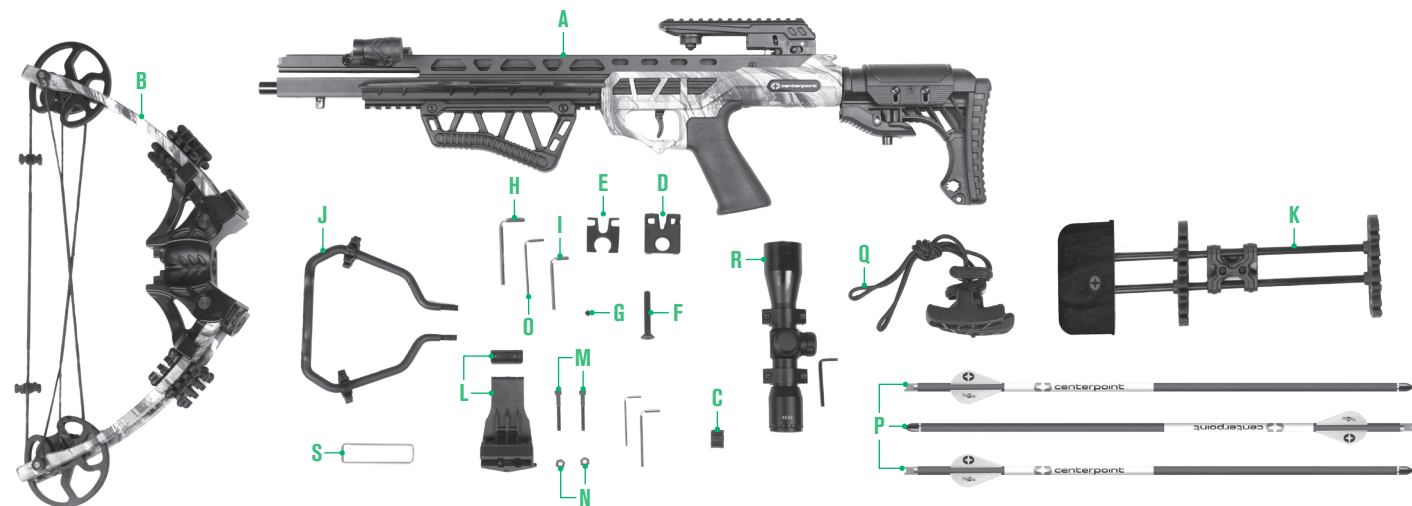
Ballesta

- A** Cuerpo principal de ballesta (culata)
- B** Conjunto de palas y empuñadura
- C** Corredera del cable
- D** Tapa de la junta
- E** Almohadilla de espuma de la tapa de la junta
- F** Perno de la empuñadura

- G** Tornillo bloqueante del perno de la empuñadura
- H** Llave hexagonal grande
- I** Llave hexagonal pequeña
- J** Estribo
- K** Carcaj
- L** Soporte del carcaj (2 piezas)

Accesorios

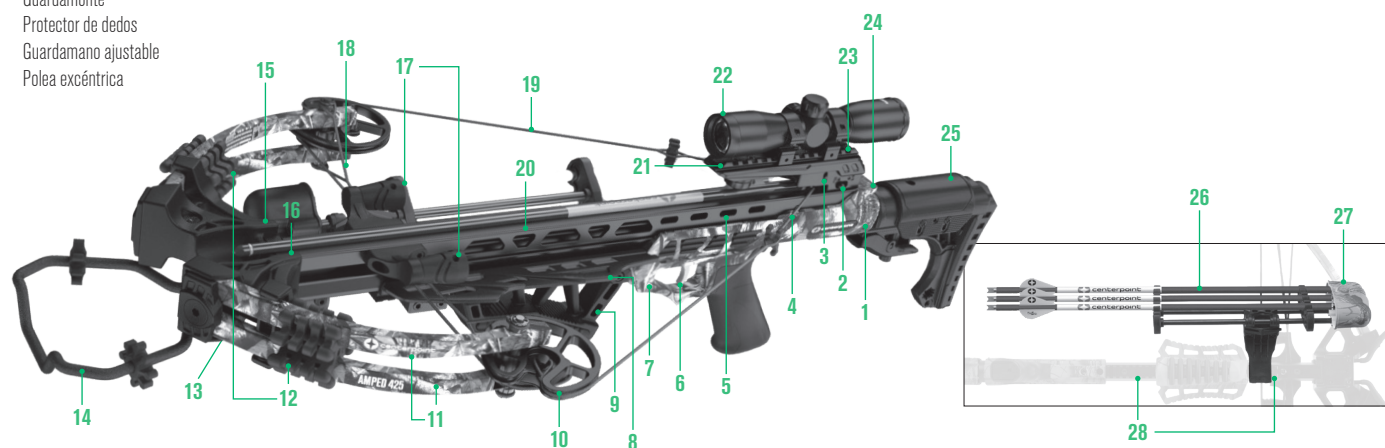
- M** 2 Tornillos de montaje del carcaj
- N** 2 tuercas de bloqueo del soporte del carcaj
- O** Llave hexagonal del carcaj
- P** Tres flechas de carbono de 20" con culatines de media luna y puntos de campo
- Q** Amartillador de cuerda
- R** Mira de 4x32 mm
- S** Lubricante para el riel



LAS PARTES DE UNA BALLESTA AMPED 425

Familiarizarse con la terminología utilizada para describir las partes de una ballesta le ayudará durante el ensamblado. Este esquema muestra una ballesta compuesta Amped 425 completamente montada, amartillada y cargada.

- | | | | |
|---|--|--|---|
| 1 Culata | 11 Pala dividida | 17 Topes de la cuerda | 23 Riel picatinny superior |
| 2 Interruptor del seguro | 12 Amortiguadores de las palas | 18 Cables | 24 Ranura de la cuerda |
| 3 Interruptor de preparación del amartillado | 13 Orificios de montaje del estribo | 19 Cuerda de arco | 25 Cantonera y carrillera ajustables |
| 4 Servidor de la cuerda de arco | 14 Estribo | 20 Cañón | 26 Flechas |
| 5 Riel de vuelo | 15 Empuñadura | 21 Muelle de retención de los rodamientos | 27 Carcaj |
| 6 Gatillo | 16 Ranura de vuelo | 22 Mira | 28 Riel picatinny inferior |
| 7 Guardamonte | | | |
| 8 Protector de dedos | | | |
| 9 Guardamano ajustable | | | |
| 10 Polea excéntrica | | | |



Sección 3: Montaje de su Amped 425

Visite centerpointarchery.com/amped-425#dm para encontrar un vídeo útil que le guiará a través del ensamblado de la Amped 425, paso a paso.

Le llevará unos 30 minutos montar correctamente su ballesta compuesta Amped 425. Más allá de los materiales y herramientas suministrados, también necesitará un destornillador de cabeza plana. Siga en orden los pasos que aparecen a continuación:

- 1** En primer lugar, conecte la corredera del cable (Parte C) a los cables del lado izquierdo de la empuñadura ajustando los dos cables en las dos ranuras de la corredera de cable. El extremo más ancho de la corredera del cable debe mirar hacia la parte posterior de la ballesta, como se muestra en la Figura 1.
- 2a** A continuación, oriente las palas y el conjunto de la empuñadura (Parte B) de modo que la cuerda del arco (Parte 19) se apoye en la parte superior del riel de vuelo (Parte 5) y la corredera del cable encaje en la abertura al final del riel. El lado de la corredera del cable que tiene la ranura abierta debe estar hacia arriba, con la abertura más ancha hacia la parte posterior de la ballesta, de modo que se inserte suavemente en la abertura del carril. Vea la Figura 2.
- 2b** Mientras desliza la corredera del cable hacia abajo en el riel, baje la parte delantera de las palas y el conjunto de la empuñadura de modo que la cuerda del arco pase los topes de la cuerda (Parte 17) y la corredera del cable pueda llegar a la parte posterior del canal en el riel.
- 3** Retire el respaldo blanco de la almohadilla de la tapa de la junta de espuma (Parte E) y péguelo en el lado plano de la tapa de la junta (Parte D).
- 4** Deslice la tapa de la junta sobre el riel, con la almohadilla de espuma de la tapa de la junta hacia fuera, hasta que esté completamente asentada, como se ve en la Figura 2.
- 5** Levante las palas y el conjunto de la empuñadura de modo que el cañón se extienda a través de las ranuras de la tapa de la junta hacia el orificio en el centro interior de la empuñadura (Parte 15). La tapa de la junta debe permanecer firmemente asentada contra el riel, y la almohadilla de espuma de la tapa de la junta debe amortiguar la empuñadura donde se encuentra con la tapa de la junta.
- 6** Instale y apriete el perno de la empuñadura (Parte F) con la llave hexagonal grande (Parte H). A medida que aprieta el perno, las palas y el conjunto de la empuñadura deben quedar al ras de la tapa de la junta. Apriete el cerrojo de la empuñadura hasta abajo. Vea la Figura 3.
- 7** Inserte el tornillo de bloqueo del perno de la empuñadura (Parte G) y apriételo firmemente con la llave hexagonal pequeña (Parte I). Esto ayuda a evitar que el perno de la empuñadura se afloje durante el uso de la ballesta. Vea la Figura 4.
- 8a** Inserte las dos puntas del estribo (Parte J) en los orificios de montaje del estribo (Parte 13) en la empuñadura. Las ranuras de retención de la parte inferior del estribo deben alinearse con los orificios para tornillos de fijación de la parte inferior de las palas y el conjunto de la empuñadura. Vea la Figura 5.
- 8b** Apriete los 2 tornillos de fijación del estribo preinsertados usando la llave hexagonal pequeña, como se ve en la Figura 6.
- 9a.** Para instalar el carcaj, inserte primero las 2 contratuerzas del soporte del carcaj (Parte N) en la parte posterior de la pieza más grande de la montura del carcaj (Parte L). Vea la Figura 7.
- 9b** Conecte las dos piezas de la montura del carcaj insertando los 2 tornillos de la montura del carcaj (Parte M) a través de la pieza pequeña de la montura y en la pieza más grande, de modo que dicha montura se enganche al riel picatinny inferior (Parte 28) debajo del cañón, delante del guardamano (Parte 8). Atornille juntas las dos piezas de la montura del carcaj usando la llave hexagonal del carcaj (Parte O).
- NOTA:** El carcaj se puede montar de modo que las flechas estén en cualquier lado de la ballesta. Los usuarios diestros querrán el carcaj del lado derecho y viceversa. Este posicionamiento ayuda a asegurar que el dedo esté fuera del gatillo mientras carga la ballesta.
- 9c** Conecte el carcaj a su montura deslizando la pestaña del carcaj (Parte K) en la ranura de la montura del carcaj y, a continuación, bloqueándolo en su lugar presionando la palanca de bloqueo de la montura. Pruebe para asegurarse de que el carcaj esté bien fijado. Para quitar el carcaj, primero levante la palanca de bloqueo y luego deslícelo fuera de su montura.
- 10a** Para instalar la mira (Parte R), colóquela en el riel picatinny superior (Parte 23) de modo que su ojo pueda enfocarse correctamente en la imagen que se ve a través de ella. Normalmente, esta posición está entre 3 y 4 pulgadas del ojo cuando se sostiene la ballesta en posición de disparo. Cada anillo de montaje de la mira tiene un tornillo de fijación que corre perpendicularmente a través de su lado inferior. Estos tornillos anidarán en las ranuras del riel picatinny superior. Es posible que desee ajustar su ballesta (ver Sección 4) antes de posicionar su mira. Vea la Figura 8.
- 10b** Cuando haya encontrado la posición óptima para su mira, apriete los dos tornillos de fijación con un destornillador de cabeza plana a fin de fijar la mira al riel picatinny superior.

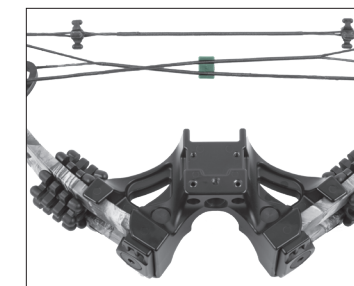


FIGURA 1

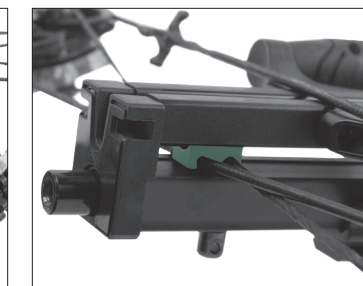


FIGURA 2

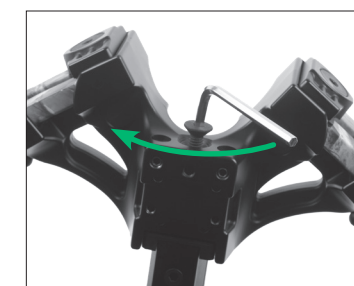


FIGURA 3

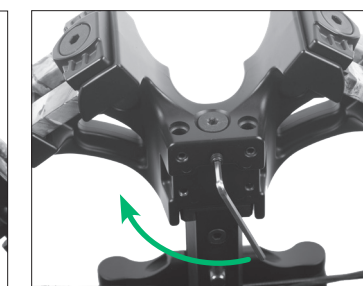


FIGURA 4

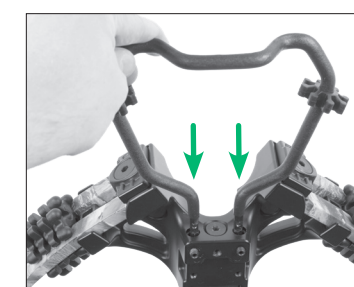


FIGURA 5

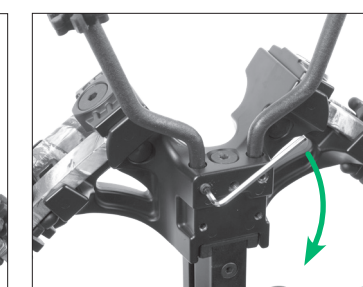


FIGURA 6

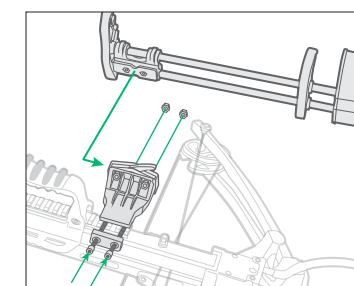


FIGURA 7



FIGURE 8



Sección 4: Ajuste de su Amped 425

Antes del usarla por primera vez, tómese tiempo para asegurarse de que su ballesta se ajuste a usted para una comodidad y seguridad óptimas.

Para ajustar la cantonera (Parte 25), presione la palanca que se encuentra en la parte inferior delantera de la culata, como se ve en la Figura 9. Con la palanca presionada, deslice la culata de la posición 0 (más corta) a la 5 (más larga). Los números de posición se pueden ver desde la parte superior de la ballesta, a través de un agujero que cruza la carrillera. Libere la palanca para bloquear la cantonera en su sitio.

Para ajustar la carrillera, afloje los 4 tornillos que la fijan en su sitio (se encuentran 2 a cada lado) y deslice la carrillera hacia arriba o hacia abajo a la posición que encuentre más cómoda. Cuando haya terminado, apriete los tornillos para fijarla en su lugar.

Para ajustar el guardamano (Parte 8), afloje los dos tornillos del guardamano que se encuentran del lado izquierdo de la ballesta, como se ve en la Figura 10. Una vez suelto, puede deslizar el guardamano hacia adelante o hacia atrás a lo largo del riel picatinny inferior. Cuando haya terminado, apriete los tornillos para fijarlo en su lugar.

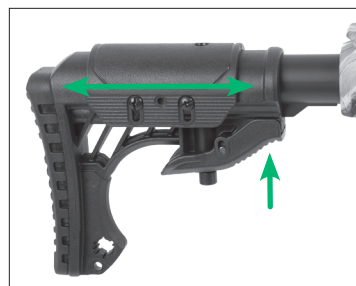


FIGURA 9

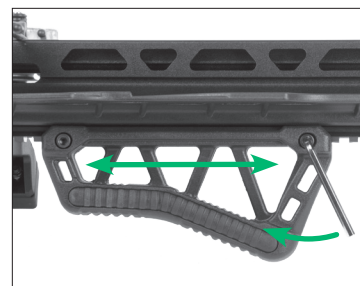


FIGURA 10

Sección 5: Uso de su Amped 425

AMARTILLADO DE LA AMPED 425

ADVERTENCIA: UNA VEZ QUE AMARTILLE SU BALLESTA COMPUESTA AMPED 425, TENDRÁ QUE DISPARAR UNA FLECHA PARA DESAMARTILLARLA CON SEGURIDAD.

ADVERTENCIA: SÓLO AMARTILLE SU AMPED 425 SI ESTÁ EN UN LUGAR Y SITUACIÓN EN LA QUE SE DESEA DISPARAR UNA FLECHA.

ADVERTENCIA: EL DISPARO EN SECO O EL INTENTO DE DESAMARTILLAR MANUALMENTE LA AMPED 425 USANDO SUS MANOS, EL AMARTILLADOR DE CUERDA O EL DISPOSITIVO TENSOR APROBADO PUEDE CAUSARLE LESIONES GRAVES O DAÑAR LA BALLESTA.

ADVERTENCIA: DEJAR LA AMPED 425 AMARTILLADA DURANTE UN LARGO PERÍODO DE TIEMPO NO ES SEGURO Y PUEDE DAÑAR LA BALLESTA.

Para amartillar su Amped 425, primero compruebe que el interruptor del seguro (Parte 2) esté ajustado en (F)IRE (Fuego). Si el gatillo está bloqueado, el interruptor del seguro está en la posición (S)AFE (seguro activado) y la Amped 425 NO SE AMARTILLARÁ. (El seguro se activará automáticamente cuando la ballesta esté amartillada).

Para desactivar el seguro del amartillado, levante el interruptor de preparación de amartillado (Parte 3) y deslice el interruptor del seguro hacia adelante hasta la posición (F)IRE (Fuego). Utilice únicamente el interruptor de preparación de amartillado para desactivar el seguro con objeto de amartillar.

PRECAUCIÓN: SI UTILIZA EL INTERRUPTOR DE PREPARACIÓN DE AMARTILLADO MIENTRAS LA BALLESTA ESTÁ AMARTILLADA, DESCONECTARÁ EL MECANISMO ANTIDISPARO EN SECO, LO CUAL NO ES SEGURO Y PUEDE DAR COMO RESULTADO LESIONES GRAVES.

El seguro está desactivado y la ballesta está lista para amartillarse cuando el interruptor del seguro se ha movido de la posición (S)AFE (Seguro activado), bajo el punto blanco, a la posición (F)IRE (Fuego), bajo el punto rojo, como se ilustra en la Figura 11.

A continuación, confirme que el riel de vuelo (Parte 5) esté correctamente lubricado. Para lubricar su riel de vuelo, frote a cada lado del riel de vuelo un poco del lubricante de riel incluido. Con el dedo, pase el lubricante a lo largo del riel de vuelo en ambos lados, para cubrir su longitud hasta los topes de la cuerda (Parte 17). Le recomendamos que aplique lubricante de riel cada 12 a 15 disparos.

ADVERTENCIA: LA AMPED 425 ES MÁS SEGURO Y SE AMARTILLA FÁCILMENTE USANDO EL AMARTILLADOR DE CUERDA O DISPOSITIVO DE MANIVELA SUMINISTRADO. EL USO DE CUALQUIER OTRO AMARTILLADOR DE CUERDA O DISPOSITIVO DE MANIVELA PUEDE SER INSEGURO Y PUEDE DAÑAR SU BALLESTA.

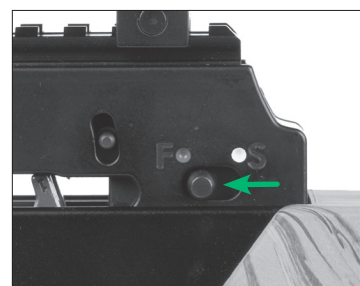


FIGURA 11

Sección 5: Uso de su Amped 425 (continuación)

Coloque el estribo (Parte 14) en el suelo y coloque cualquiera de sus pies firmemente a través de él.

Coloque el centro del amartillador de cuerda que viene incluido en la ranura de la cuerda (Parte 24) que se encuentra justo encima de donde la cantonera se conecta a la culata.

Enganche los dos ganchos del amartillador de cuerda, boca arriba, en la cuerda del arco (Parte 19), de modo que flanqueen el riel de vuelo (Parte 5). Vea la Figura 12.

Tire de las dos asas en forma de T del amartillador de cuerda hacia arriba simultáneamente mientras presiona hacia abajo en el estribo. Al hacerlo, se tensará la cuerda del arco debajo del muelle de retención del rodamiento (Parte 21) y en el mecanismo de disparo. Cuando la ballesta está correctamente amartillada, la cuerda del arco estará capturada por el pestillo del gatillo y el interruptor del seguro hará clic automáticamente desde (F)IRE (Fuego) a la posición (S) AFE (Seguro activado). Vea las figuras 13 y 14.

Cuando escuche que se activa el seguro, afloje la tensión que está ejerciendo sobre el amartillador de la cuerda. Si la ballesta está correctamente amartillada, el pestillo del gatillo sostendrá la cuerda del arco. Si la cuerda del arco permanece libre, continúe tirando hacia arriba en el amartillador de la cuerda hasta que la ballesta esté amartillada.



FIGURA 12



FIGURA 13

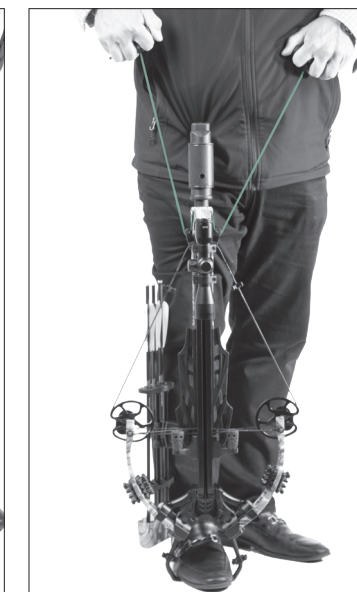


FIGURA 14

PRECAUCIÓN: AMARTILLAR LA AMPED 425 ACTIVA LA TENSIÓN DE LA CUERDA DEL ARCO Y LOS CABLES, Y EXIGE ESFUERZO. SI TIENE QUE LIBERAR ESTA TENSIÓN ANTES DE QUE LA BALLESTA ESTÉ COMPLETAMENTE AMARTILLADA, HÁGALO LENTA Y CUIDADOSAMENTE PARA EVITARLE LESIONES AL USUARIO O DAÑOS A LA BALLESTA.

Retire los ganchos del amartillador de cuerda del arco y la cuerda de la ranura de la cuerda. Su Amped 425 está ahora amartillada y lista para cargarse.

ACTIVAR EL SEGURO

Cuando se activa correctamente, el seguro de la ballesta compuesta Amped 425 desactiva el gatillo y evita el disparo accidental. El seguro se activa automáticamente cuando la ballesta está amartillada.

PRECAUCIÓN: NUNCA CONFÍE EN UN DISPOSITIVO MECÁNICO, COMO UN SEGURO, PARA SUSTITUIR LAS PRÁCTICAS DE MANIPULACIÓN SEGURA. SIEMPRE MANIPULE UNA BALLESTA COMO SI EL SEGURO NO ESTUVIERA ACTIVADO. COMO TODOS LOS DISPOSITIVOS MECÁNICOS, EL SEGURO DE UNA BALLESTA PUEDE FALLAR.

Antes de cargar una flecha, asegúrese de que el seguro esté activado. Cuando el seguro está activado, el interruptor del seguro estará bajo la posición (S)AFE (Seguro activado) y el punto blanco.

Para activar manualmente el seguro, deslice el interruptor del seguro (Parte 2) hacia atrás hasta que oiga y sienta que encaja en su lugar. Confirme que el interruptor del seguro se ha movido desde debajo de la posición (F)IRE (Fuego) y el punto rojo a debajo de la posición (S)AFE (Seguro activado) y el punto blanco, como se ilustra en la Figura 15.

ADVERTENCIA: SI, POR CUALQUIER MOTIVO, EL INTERRUPTOR DEL SEGURO NO HACE CLIC COMPLETAMENTE EN LA POSICIÓN DE (S)AFE (SEGURO ACTIVADO) MIENTRAS LA BALLESTA ESTÁ AMARTILLADA, DESAMARTILLE LA BALLESTA DE FORMA SEGURA DISPARANDO UNA FLECHA A UN BLANCO SEGURO. NO UTILICE LA BALLESTA NI INTENTE AMARTILLARLA. LLAME A SERVICIO AL CLIENTE DE CENTERPOINT ARCHERY AL (866) 726-1122 PARA OBTENER UNA REPARACIÓN AUTORIZADA.

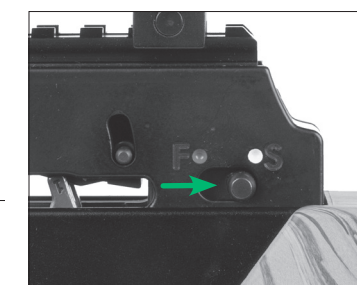


FIGURA 15



Sección 5: Uso de su Amped 425 (continuación)

CARGA DE LA AMPED 425

ADVERTENCIA: MANTENGA SIEMPRE AJUSTADO EL SEGURO EN (S)AFE (SEGURO ACTIVADO) HASTA QUE ESTÉ LISTO PARA DISPARAR.

Antes de cargar una flecha en la Amped 425, compruebe que el interruptor del seguro esté ajustado en (S)AFE (Seguro activado) y que la ballesta esté apuntando en una dirección segura.

Asegúrese de que la flecha que está cargando no esté dañada y sea aprobada para su uso con la Amped 425. Utilice únicamente flechas de 20" con culatín de media luna y con un peso acabado superior a 400 granos.

Para cargar la Amped 425, sostenga una flecha entre dos dedos cerca de su punta ancha o punto de campo, manteniendo las manos alejadas del extremo del culatín. Esto le permite cargar su ballesta sin poner ninguna parte de su mano en el camino de la cuerda del arco, como se ilustra en la Figura 16.



FIGURA 16

ADVERTENCIA: CUANDO SE AMARTILLA UNA BALLESTA, MANTENGA SIEMPRE LAS MANOS, LOS DEDOS Y TODAS LAS DEMÁS PARTES DEL CUERPO FUERA DE LA TRAYECTORIA DE RECORRIDO DE LA CUERDA DEL ARCO Y LOS CABLES. NO RESPETAR ESTA ADVERTENCIA PUEDE OCASIONAR LESIONES GRAVES O LA MUERTE.

Con el emplumado de color diferente hacia abajo en la ranura de vuelo, deslice el culatín hacia atrás, hacia el conjunto del gatillo, hasta que se conecte completamente con la cuerda del arco. En las flechas incluidas, el emplumado de color distinto es blanco.

DESACTIVAR EL SEGURO

Con la ballesta apuntada en una dirección segura y una flecha cargada, deslice el interruptor del seguro (Parte 2) hacia adelante hasta que oiga y sienta que se desactiva. El seguro está desactivado y la ballesta está lista para ser amartillada o disparada cuando el interruptor del seguro se ha movido desde debajo de la posición (S)AFE (Seguro activado) y el punto blanco, a debajo de la posición (F)IRE (Fuego) y el punto rojo, como se ilustra en la Figura 11 en la página 4.

PRECAUCIÓN: NO UTILICE EL INTERRUPTOR DE PREPARACIÓN DE AMARTILLADO (PARTE 2) PARA DESACTIVAR EL SEGURO SI LA BALLESTA ESTÁ AMARTILLADA, O DESACTIVARÁ EL MECANISMO CONTRA DISPAROS EN SECO. UTILICE ESTE INTERRUPTOR ÚNICAMENTE PARA DESACTIVAR EL SEGURO SI LA BALLESTA ESTÁ AJUSTADA EN (S)AFE (SEGURO ACTIVADO) Y DESEA AMARTILLARLA.

APUNTAR Y DISPARAR LA AMPED 425

ADVERTENCIA: NUNCA COLOQUE PARTE ALGUNA DEL CUERPO (INCLUIDAS LAS MANOS Y LOS DEDOS) EN EL TRAYECTO DEL RECORRIDO DE LA CUERDA DEL ARCO O LOS CABLES. MANTENGA LA MANO DELANTERA EN TODO MOMENTO EN EL GUARDAMANO DE LA CULATA POR DEBAJO DEL RECORRIDO DE LA CUERDA Y LOS CABLES (VEA LA FIG. 17). NO RESPETAR ESTA ADVERTENCIA PUEDE OCASIONAR LESIONES GRAVES O LA MUERTE.

(Para obtener instrucciones sobre cómo preparar y ajustar la mira que viene incluida, consulte el Manual del propietario de la Mira incluida.)

Antes de disparar su Amped 425, confirme:

- que está apuntando a un blanco seguro y consciente de lo que está potencialmente detrás de su blanco;
- usted y otras personas a su alrededor están usando una protección adecuada para los ojos;
- todas las partes de su cuerpo, incluidas las manos, los dedos y los pulgares, están fuera de la trayectoria de recorrido de la cuerda del arco y los cables;
- no está apuntando a una superficie dura o a la superficie del agua, ya que las flechas pueden rebotar y golpear un blanco no intencionado;
- las palas y poleas excéntricas de la ballesta tienen un espacio libre adecuado para expandirse al disparar. Cuando dispara, se liberarán alejándose de la culata con gran fuerza y pueden causarles lesiones a cualquier persona o daños a cualquier cosa con la que entren en contacto, o se dañen a sí mismas; y
- el interruptor del seguro está ajustado en (S)AFE (Seguro)



FIGURA 17



FIGURA 18

Con la ballesta amartillada y cargada apuntando a su blanco, coloque la culata (Parte 25) contra el hombro de su brazo dominante, su mano no dominante en el guardamano (Parte 8), y su mano dominante en la empuñadura, con los dedos fuera del guardamonte (Parte 7). Todas las partes de ambas manos, dedos y pulgares deben estar debajo de los protectores de dedos (Parte 9) y fuera de la trayectoria de recorrido de la cuerda del arco, como se ilustra en las figuras 17 y 18.

Sección 6: Mantenimiento de su Amped 425

Con la ballesta todavía apuntando a un blanco seguro, suelte el seguro empujando el interruptor del seguro hacia adelante desde (S)AFE (Seguro) a (F)IRE (Fuego). Escuchará un "clic" cuando el seguro se haya desenganchado por completo.

Su ballesta compuesta Amped 425 está ahora lista para disparar. Para soltar una flecha, compruebe dos veces que puede disparar con seguridad, coloque el dedo en el gatillo y tire de éste hacia atrás suavemente.

NUNCA DISPARE LA BALLESTA EN SECO. Consulte la Sección 5 para obtener instrucciones sobre cómo desamartillar su Amped 425 de forma segura.

NO MODIFIQUE LA AMPED 425 DE NINGUNA MANERA. Los intentos de modificar la ballesta compuesta Amped 425 de una manera no cubierta por este Manual del Propietario pueden hacer que la ballesta no sea segura o provocar lesiones graves o la muerte. La modificación de la Amped 425 anulará la garantía.

SIEMPRE revise la ballesta minuciosamente antes de disparar en busca de piezas desgastadas, dañadas, sueltas o faltantes. Si su Amped 425 está desgastada o dañada, llame al servicio de atención al cliente para obtener ayuda antes de usar la ballesta.

Si deja caer la ballesta, inspeccione el arco en busca de daños y luego, durante el proceso de amartillado, asegúrese de que todo se sienta y se comporte de la forma normal antes de usarla. Si algo se siente como si hubiera cambiado, DETÉNGASE inmediatamente. Suspnda el uso de la ballesta hasta que haya sido inspeccionada por un profesional.

Aplique periódicamente una ligera capa de lubricante de base de silicona en todas las piezas metálicas a fin de evitar la oxidación y la corrosión.

Para reducir el deshilachado y desgaste de la cuerda del arco, frote a cada lado del riel de vuelo un poco del lubricante de riel que viene incluido. Con el dedo, pase el lubricante a lo largo del riel de vuelo en la parte superior de ambos lados, para cubrir su longitud hasta los toques de la cuerda (Parte 17). Le recomendamos que aplique lubricante de riel después de 12 a 15 disparos.

También debe lubricar la cuerda del arco con cera de cuerda de arco (no incluida). En primer lugar, limpie cualquier cera vieja y acumulada, pero NO encere la sección central de la cuerda del arco que está especialmente envuelta, llamada servidor, que entra en contacto con el riel de vuelo. Encerar el servidor puede causar una acumulación de cera en el mecanismo del gatillo. Una vez que haya aplicado la cera de la cuerda del arco, frótela suavemente con los dedos primero y luego con un paño limpio.

Cuando la cuerda del arco comienza a verse desgastada o deshilachada, debe cambiarse usando una prensa de arcos. Póngase en comunicación con una tienda de tiro con arco para que este servicio se maneje profesionalmente. No se puede hacer sin equipo profesional.

Inspeccione todas las flechas antes de dispararlas para determinar que no tengan desgaste, daños o melladuras. Incluso pequeños defectos o daños menores pueden hacer que una flecha se reviente explosivamente cuando se dispara desde una ballesta, provocándoles lesiones graves a usted y a las personas cercanas. Deshágase correctamente de todas las flechas dañadas y según lo requieran las leyes y regulaciones locales.

Guarde su ballesta en un lugar fresco y seco.

Proteja su ballesta contra el calor excesivo, como el que se encuentra en el maletero de un automóvil en un día caluroso o cerca de los conductos de ventilación de un horno.

Si sus flechas están perdiendo el contacto con la cuerda del arco una vez cargada, es posible que deba reemplazar el resorte de retención del rodamiento de la ballesta (Parte 21). Esta pieza mantiene la flecha en su lugar después de que se carga.

Para reemplazar el resorte de retención del rodamiento de la Amped 425:

- Póngase en contacto con el servicio de atención al cliente de CenterPoint en centerpointarchery.com/contact/ a fin de solicitar las piezas correctas.
- Quite la mira de 4x32 mm (si está instalada) del riel picatinny superior (Parte 23) aflojando los dos tornillos de fijación.
- Quite los dos tornillos hexagonales traseros del riel picatinny superior, como se ve en la Figura 19A.
- Levante de la culata el riel picatinny superior.
- Quite los dos tornillos hexagonales delanteros de la parte superior del riel picatinny superior, como se ve en la Figura 19B.
- Quite y reemplace el muelle de retención, atornillándolo, y luego el riel picatinny superior de nuevo en su lugar invirtiendo las instrucciones anteriores.

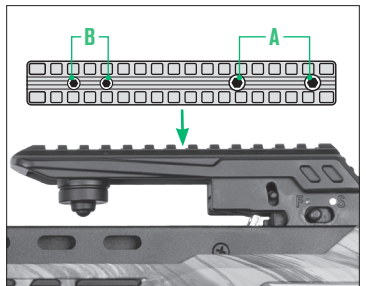


FIGURA 19



ESPECIFICACIONES

FPS	Hasta 425 pies por segundo
FUERZA A LA MÁXIMA APERTURA	195 lb
ENERGÍA CINÉTICA	160 ft lb
CARRERA DE TRABAJO	14,5 in
PALAS	Palas quad de fibra de vidrio de compresión
CULATA	Composite
EMPUÑADURA Y RIEL	Aluminio

ÓPTICA	Mira de 4x32 mm
SEGURO	Automático, ambidiestro
PESO DE MASA	7,8 lb
LONGITUD	36 in
ANCHO DE EJE A EJE	12 in Amartillado, 15,75 in Desamartillado
FLECHA	20"—400 g con culatín de media luna

GARANTÍA LIMITADA PARA LAS BALLESTAS CENTERPOINT

Su ballesta CenterPoint® está garantizada contra defectos de materiales y mano de obra durante 5 años desde la fecha de la compra. Esta garantía no es transferible y como tal está limitada al comprador original. Esta garantía no cubre daños debidos al desgaste normal o a no hacer el mantenimiento de rutina, y no incluye cuerdas, cables o accesorios. En caso de un defecto de conformidad con esta garantía, a nuestra elección repararemos o reemplazaremos el producto siempre que nuestra inspección indique que existe un defecto original. CenterPoint se reserva el derecho de reemplazar cualquier producto que ya no esté disponible con un producto de valor y función comparables. Si CenterPoint determina que la reparación no está cubierta por las directrices de la garantía, podría haber un cargo para usted por la reparación. Ésta es una garantía limitada y no cubre los daños causados por disparos en seco, mal uso o manejo inadecuado, o una instalación o mantenimiento indebidos proporcionados por alguien que no sea una estación de servicio autorizada de CenterPoint.

ESTA GARANTÍA LIMITADA NO INCLUYE DAÑOS Y PERJUICIOS CONSECUCIONALES O INCIDENTALES, O GASTOS INCIDENTALES, INCLUIDOS LOS DAÑOS Y PERJUICIOS MATERIALES O CUALQUIER OTRO GASTO. CENTERPOINT DESCONOCE CUALQUIER GARANTÍA IMPLÍCITA, INCLUIDAS LAS GARANTÍAS IMPLÍCITAS DE COMERCIABILIDAD E IDONEIDAD. ALGUNOS ESTADOS NO PERMITEN LA EXCLUSIÓN O LIMITACIÓN DE DAÑOS INCIDENTALES O CONSECUCIONALES, O NO PERMITEN LIMITACIONES SOBRE LAS GARANTÍAS IMPLÍCITAS, DE MODO QUE LAS LIMITACIONES O EXCLUSIONES ARRIBA INDICADAS PODRÍAN NO APLICARSE A USTED. EN LA MEDIDA EN QUE CUALQUIER DISPOSICIÓN DE ESTA GARANTÍA ESTÉ PROHIBIDA POR LAS LEYES FEDERALES, ESTATALES O MUNICIPALES, QUE NO PUEDAN EVITARSE, NO SERÁ APLICABLE. ESTA GARANTÍA LE OTORGA DERECHOS LEGALES CONCRETOS Y ES POSIBLE QUE TENGA TAMBIÉN OTROS DERECHOS QUE VARIAN SEGÚN EL ESTADO Y EL PAÍS.

ALTO – ANTES DE DEVOLVER ESTE PRODUCTO A LA TIENDA:

Póngase en comunicación con nuestros representantes de Servicio al Cliente para obtener ayuda al (866) 726-1122 o a través de centerpointarchery.com.

RECLAMACIONES DE GARANTÍA Y SERVICIO DE REPARACIONES

Si su producto necesita una reparación, ¡NO INTENTE DESMONTARLO! Cualquier desmontaje o modificación no realizados por una estación de servicio autorizada de CenterPoint anularán la garantía.

Clientes de los EE.UU.: Comuníquense con servicio al cliente de CenterPoint a través de centerpointarchery.com/contact o en la dirección postal abajo indicada. Le diremos dónde y cómo enviar su producto de CenterPoint para su reparación o reemplazo bajo la garantía, o se le remitirá a un centro de servicio autorizado.

CenterPoint Archery

Atn: Depto. de Garantía
3535 Tower Ave
Superior, WI 54880

Si se le indica que envíe su producto CenterPoint para reparación o reemplazo de acuerdo con la garantía, incluya su producto, una copia de su recibo y una breve descripción por escrito del problema que ha encontrado. Asegúrese de indicar también su nombre, dirección postal, dirección de correo electrónico y número de teléfono dentro del paquete.

Recomendamos encarecidamente que asegure su envío y que utilice un servicio que proporcione un número de seguimiento. CenterPoint no es responsable de ninguna mercancía dañada, perdida o robada durante el transporte desde o hacia CenterPoint.

Esperar de 2 a 4 semanas para la reparación o reemplazo de conformidad con la garantía.

Clientes canadienses: Para obtener servicio por garantía, comuníquense con la Gravel Agency en Quebec al (866) 662-4869.

Clientes fuera de los EE. UU. o Canadá: Para obtener servicio por garantía, póngase en comunicación con el concesionario o distribuidor al que compró su producto CenterPoint. Si no sabe quién es su concesionario o distribuidor, o no puede ponerse en contacto con él o ella, se puede comunicar con nuestro Departamento Internacional para obtener ayuda al (585) 657-6161 o a través de centerpointarchery.com.

CenterPoint Archery

3535 Tower Ave.
Superior, WI 54880
Estados Unidos de América
1.866.726.1122
centerpointarchery.com

Hecho en Taiwán

CENTERPOINT, el logo de CENTERPOINT, AMPED y Power Draw son marcas comerciales de Crosman Corporation.

CenterPoint es una marca comercial de Crosman Corporation en los Estados Unidos. © 2020 Crosman Corporación 11-20 OM



AMPED® 425

ARBALÈTE À POULIES

Manuel d'utilisation



AXGA200FCKB516





BIENVENUE

Votre choix de l'Arbalète à poulies Amped 425 nous honore. Que cette arbalète soit un cadeau pour vous-même ou un moyen d'initier d'autres personnes à la vie du chasseur, nous ne doutons pas qu'elle fasse bonne impression.

Cette boîte, une fois son contenu assemblé, contient tout ce dont vous avez besoin pour vous y mettre, sauf une cible approuvée pour l'arbalète. Pour la chasse, nous recommandons une pointe de chasse de 100 grains, qui peut être fixée aux flèches en carbone incluses et dont le poids et la taille conviennent à l'Amped 425.

Pour votre sécurité :

VEUILLEZ LIRE LE PRÉSENT MANUEL D'UTILISATION AU COMPLET AVANT D'UTILISER VOTRE ARBALÈTE À POULIES AMPED 425.

Les arbalètes, y compris l'Amped 425, sont destinées à la chasse et au tir à la cible. Une utilisation incorrecte ou imprudente peut blesser ou tuer l'utilisateur et les gens qui l'entourent. Nous voulons que vous ne fassiez rien de moins que votre meilleur tir. SOYEZ PRUDENT : TIREZ AVEC PRUDENCE !

Si c'est votre première arbalète CenterPoint, des conseils supplémentaires peuvent s'avérer bienvenus avant le premier armement, chargement ou tir de votre Amped 425. Si vous avez des questions ou des préoccupations au sujet de ce produit, de son bon assemblage ou de son utilisation sécuritaire, n'hésitez pas à nous contacter à partir de l'adresse centerpointarchery.com/contact-support. Nos experts du service à la clientèle sont ravis de vous aider du lundi au vendredi, de 9 h à 16 h 30 (HNC).

BIENVENUE DANS LA FAMILLE CENTERPOINT.

Vous êtes né pour ça.

⚠ AVERTISSEMENT : USAGE RECOMMANDÉ UNIQUEMENT POUR LES ADULTES. UNE UTILISATION INCORRECTE OU NÉGLIGENTE PEUT PROVOQUER DES BLESSURES GRAVES VOIRE LA MORT. LIRE TOUTES LES INSTRUCTIONS AVANT D'UTILISER CET ARC. CONSERVER LES INSTRUCTIONS ET LE MANUEL DE SÉCURITÉ POUR RÉFÉRENCE ULTÉRIEURE.

⚠ AVERTISSEMENT : TOUJOURS GARDER LES MAINS, LES DOIGTS ET LES POUCES À L'ÉCART DE LA TRAJECTOIRE DE LA CORDE D'ARC ET DES CÂBLES ET SOUS LE RAIL QUAND UNE ARBALÈTE EST ARMÉE.

⚠ AVERTISSEMENT : L'ACHETEUR ET L'UTILISATEUR SONT TENUS DE SE CONFORMER À TOUTES LES LOIS RELATIVES À L'UTILISATION ET À LA PROPRIÉTÉ DE CETTE ARBALÈTE.

⚠ AVERTISSEMENT : CE PRODUIT PEUT VOUS EXPOSER À DES PRODUITS CHIMIQUES, Y COMPRIS DU PLOMB, QUI EST RECONNU PAR L'ÉTAT DE CALIFORNIE COMME PROVOQUANT LE CANCER, DES ANOMALIES CONGÉNITALES OU D'AUTRES EFFETS NOCIFS SUR LA REPRODUCTION. POUR DE PLUS AMPLES RENSEIGNEMENTS, CONSULTER LE WWW.P65WARNINGS.CA.GOV.

Section 1 : Sécurité

S'il vous plaît, n'ignorez pas cette page. Les règles qui suivent sont essentielles à une utilisation et un entretien sécuritaires de l'arbalète.

- TOUJOURS manipuler cette arbalète comme si elle était chargée et prête à tirer.
- TOUJOURS manipuler cette arbalète avec autant de précautions que vous le feriez pour une arme à feu.
- TOUJOURS ranger cette arbalète déchargée et hors de portée des enfants.
- TOUJOURS s'assurer que cette arbalète est déchargée et que son cran de sûreté est ENCLENCHÉ avant de la transférer d'une personne à une autre ou de la retirer de l'entreposage.
- TOUJOURS laisser le cran de sûreté de cette arbalète ENCLENCHÉ jusqu'à ce que vous soyez prêt à tirer.
- TOUJOURS être conscient de sa cible et de ce qui peut se trouver derrière elle.
- TOUJOURS vérifier l'état d'usure de la butte de tir de votre cible avant et après le tir. Toutes les buttes de tir s'usent avec le temps et finissent par ne plus fonctionner. Remplacez la butte de tir de votre cible quand sa surface est usée ou endommagée.
- TOUJOURS vérifier l'arbalète pour y déceler des pièces usées, endommagées, desserrées ou manquantes avant de tirer.
- TOUJOURS vérifier le dispositif d'armement de la corde pour y déceler des pièces usées, abîmées, desserrées ou manquantes avant l'utilisation.
- TOUJOURS inspecter régulièrement l'état de vos flèches. Le tir d'une flèche endommagée peut causer de graves blessures à vous-même et à ceux qui vous entourent. Toute flèche entaillée, bosselée, fendue ou fragmentée doit être éliminée immédiatement.
- TOUJOURS garder les mains, les doigts et les pouces à l'écart de la trajectoire de la corde et des câbles et sous le rail quand une arbalète est armée.
- TOUJOURS s'assurer que les branches de l'arbalète sont exemptes de tout obstacle avant de tirer. Le tir relâche les branches avec une énorme force. Si les branches venaient à heurter un obstacle, l'arbalète et l'obstacle pourraient subir de graves dommages.
- TOUJOURS porter des lunettes de protection lors de l'utilisation de tout type d'arc.
- NE JAMAIS utiliser cette arbalète avec une cible qui n'est pas conçue pour une utilisation avec arbalète. Les flèches tirées par cette arbalète peuvent pénétrer facilement des cibles de qualité inférieure et des buttes de tir usées.
- NE JAMAIS armer ou charger cette arbalète avant d'être prêt à tirer.
- NE JAMAIS pointer cette arbalète en direction de quelqu'un ou de quelque chose que vous n'avez pas l'intention d'atteindre.
- NE JAMAIS substituer la sûreté automatique de cette arbalète ni aucun autre dispositif mécanique à des pratiques de maniement sécuritaire.
- NE JAMAIS mettre le doigt sur la détente ou dans le pontet avant d'être prêt à tirer.
- NE JAMAIS tirer à vide avec cette arbalète. Le tir avec votre arbalète sans d'abord y encocher une flèche endommage votre arbalète et peut vous blesser.
- NE JAMAIS tirer de flèches, de carreaux ou de projectiles qui ne sont pas recommandés par CenterPoint pour une utilisation avec cette Arbalète à poulies Amped 425. Le tir de projectiles non recommandés peut entraîner des blessures ou des dommages à l'arbalète. Chargez dans l'Arbalète à poulies Amped 425 UNIQUEMENT des flèches de 20 pouces dotées d'une encoche demi-lune dont le poids à l'état fini est de 400 grains ou plus.
- NE JAMAIS armer l'arbalète au-delà de sa course de puissance maximale, ce qui pourrait endommager les branches, les câbles ou la corde d'arc.
- NE JAMAIS utiliser la main, la corde d'armement ou un dispositif d'armement approuvé pour désarmer l'arbalète étant donné que cela peut provoquer des blessures graves à l'utilisateur ou endommager l'arbalète.
- NE JAMAIS tenter de démonter ou de modifier cette arbalète, car des outils spéciaux sont nécessaires. Pour obtenir de l'aide, veuillez contacter une boutique spécialisée en produits de tir à l'arc. Une tentative de modification de cette arbalète d'une manière qui n'est pas décrite dans le présent manuel d'utilisation peut rendre cette arbalète dangereuse, et elle annulera la garantie.

Section 2 : Présentation de l'Amped 425

LISTE DE PIÈCES

Veillez consulter cette liste pour vous assurer que toutes les pièces sont présentes avant de procéder à l'assemblage.

Arbalète

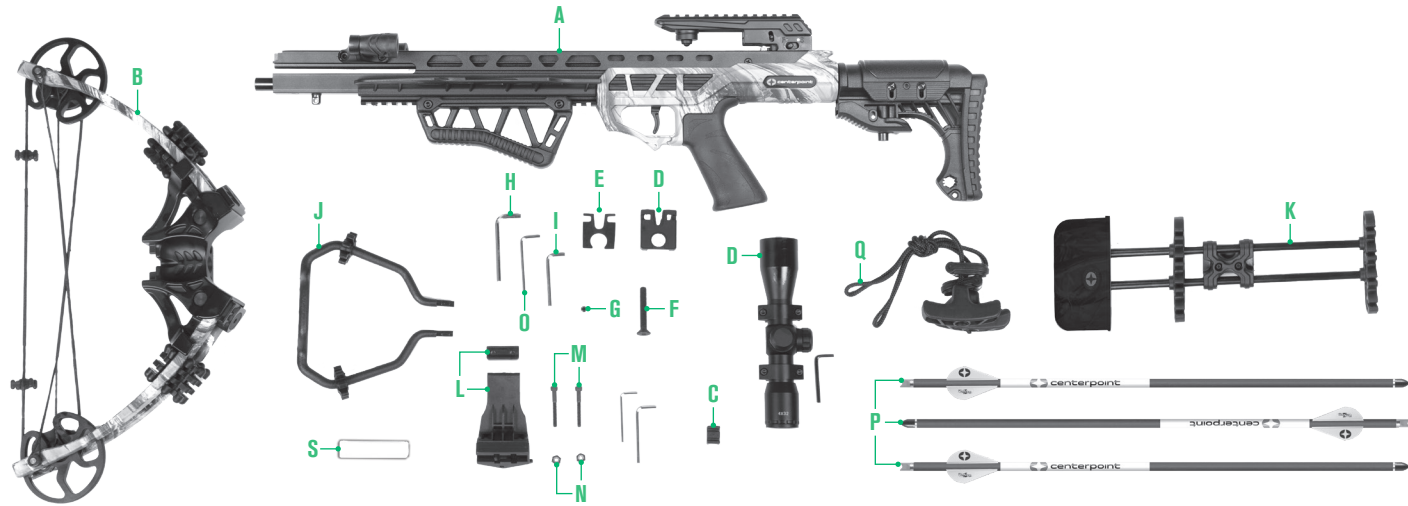
- A** Corps principal de l'arbalète (crosse)
- B** Ensemble de branches et de poignée
- C** Glissière des câbles
- D** Couvercle de joint
- E** Coussinet en mousse du couvercle de joint
- F** Boulon de poignée

- G** Vis de blocage du boulon de poignée
- H** Grande clé hexagonale
- I** Petite clé hexagonale
- J** Étrier
- K** Carquois
- L** Support de carquois (2 pièces)

Accessoires

- M** 2 vis de montage du carquois
- N** 2 écrous de blocage de support de carquois
- O** Clé hexagonale pour carquois
- P** Trois flèches en carbone de 20 po avec encoches demi-lune et pointes de pratique

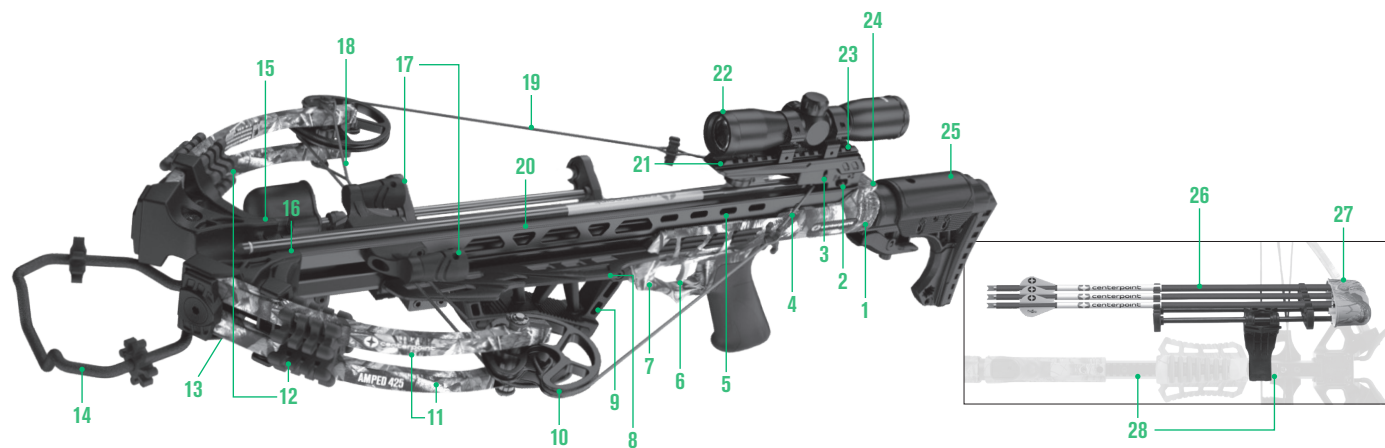
- Q** Dispositif d'armement de la corde
- R** Lunette de visée 4x32 mm
- S** Lubrifiant pour rail



LES PIÈCES D'UNE ARBALÈTE AMPED 425

Le fait de bien connaître la terminologie employée pour décrire les pièces d'une arbalète vous aidera lors de l'assemblage. Ce schéma montre une Arbalète à poulies Amped 425 entièrement assemblée, armée et chargée.

- | | | |
|---|--|---|
| 1 Crosse | 8 Protège-doigts | 15 Poignée |
| 2 Cran de sûreté | 9 Garde-main ajustable | 16 Rainure de lancement |
| 3 Cran de préparation à l'armement | 10 Poulie | 17 Butées de corde |
| 4 Tranche-fil de la corde | 11 Branche séparée | 18 Câbles |
| 5 Rail de lancement | 12 Amortisseurs de branches | 19 Corde d'arc |
| 6 Détente | 13 Trous de montage de l'étrier | 20 Monture |
| 7 Pontet | 14 Étrier | 21 Ressort de retenue sur roulement à billes |



Section 3 : Assemblage de votre Amped 425

Veillez consulter le centerpointarchery.com/amped-425#dm pour trouver une vidéo utile qui vous montre comment assembler votre Amped 425, étape par étape.

Environ 30 minutes devraient être nécessaires pour bien assembler votre arbalète à poulies Amped 425. En plus du matériel et des outils fournis, vous aurez besoin d'un tournevis à tête plate. Veillez suivre les étapes ci-dessous, dans l'ordre :

- 1** Fixez d'abord la glissière des câbles (partie C) aux câbles du côté gauche de la poignée en accrochant les deux câbles dans les deux rainures de la glissière des câbles. La partie large de la glissière des câbles doit être orientée vers l'arrière de l'arbalète, comme illustré à la figure 1.
 - 2a** Orientez ensuite l'ensemble de branches et de poignée (partie B) de façon que la corde d'arc (partie 19) soit appuyée sur le dessus du rail de lancement (partie 5) et que la glissière des câbles s'insère dans l'ouverture à l'extrémité du rail. Le côté de la glissière des câbles où se trouve la rainure doit être orienté vers le haut, l'ouverture la plus large étant orientée vers l'arrière de l'arbalète afin qu'il s'emboîte sans accroc dans l'ouverture du rail. Voir la figure 2.
 - 2b** Pendant que vous glissez la glissière des câbles dans le rail, abaissez la partie avant de l'ensemble de branches et de poignée afin que la corde d'arc dégage les butées de corde (partie 17) et que la glissière des câbles puisse se rendre jusqu'à l'arrière de la rainure pratiquée dans le rail.
 - 3** Retirez la pellicule blanche du coussinet en mousse du couvercle de joint (partie E) et collez le coussinet sur le côté plat du couvercle de joint (partie D).
 - 4** Glissez le couvercle de joint sur le rail jusqu'à ce qu'il soit complètement appuyé en orientant le coussinet en mousse du couvercle de joint vers l'extérieur, comme illustré à la figure 2.
 - 5** Soulevez l'ensemble de branches et de poignée de façon que le cylindre traverse les fentes du couvercle de joint et pénètre dans le trou dans la partie centrale intérieure de la poignée (partie 15). Le couvercle de joint doit rester solidement appuyé contre le rail et le coussinet en mousse du couvercle de joint doit amortir la poignée au point où elle entre en contact avec le couvercle de joint.
 - 6** Installez et serrez le boulon de poignée (partie F) à l'aide de la grande clé hexagonale (partie H). Pendant que vous serrez le boulon, l'ensemble de branches et de poignée doit affleurer le couvercle de joint. Serrez le boulon de poignée au complet. Voir la figure 3.
 - 7** Insérez la vis de blocage du boulon de poignée (partie G) et serrez-la fermement à l'aide de la petite clé hexagonale (partie I). Cette mesure aide à empêcher le boulon de poignée de se desserrer pendant l'utilisation de l'arbalète. Voir la figure 4.
 - 8a** Insérez les deux pattes de l'étrier (partie J) dans les trous de montage de l'étrier (partie 13) dans la poignée. Les rainures de retenue sous l'étrier doivent s'aligner avec les trous des vis de calage sous l'ensemble de branches et de poignée. Voir la figure 5.
 - 8b** Serrez les deux vis de calage d'étrier préinsérées à l'aide de la petite clé hexagonale, comme illustré à la figure 6.
 - 9a.** Pour installer le carquois, insérez d'abord les deux écrous de blocage du support de carquois (partie N) à l'arrière de la grande pièce du support de carquois (partie L). Voir la figure 7.
 - 9b** Unissez les deux pièces du support de carquois. Pour ce faire, insérez les deux vis de montage du carquois (partie M) à travers la petite pièce du support de carquois, puis dans la grande pièce de façon que le support de carquois s'emboîte dans le rail Picatinny inférieur (partie 28) sous la monture, à l'avant du garde-main (partie 8). Vissez les deux pièces du support de carquois ensemble à l'aide de la clé hexagonale pour carquois (partie O).
- REMARQUE :** Le carquois peut être monté de façon que les flèches se situent d'un côté ou de l'autre de l'arbalète. Les utilisateurs droitiers positionneront le carquois du côté droit, et les utilisateurs gauchers de l'autre côté. Ce positionnement contribue à garder le doigt à l'écart de la détente pendant que vous chargez l'arbalète.
- 9c** Fixez le carquois sur son support en glissant l'onglet sur le carquois (partie K) dans la fente du support de carquois puis en le verrouillant en place en appuyant sur le levier de verrouillage situé sur le support. Assurez-vous que le carquois est bien fixé en place. Pour retirer le carquois, soulevez d'abord le levier de verrouillage, puis faites glisser le carquois pour le retirer de son support.
 - 10a** Pour installer la lunette de visée (partie R), placez cette dernière sur le rail Picatinny supérieur (partie 23) de façon que votre œil puisse bien faire le point sur l'image affichée dans la lunette. Normalement, cette position se situe d'environ 7,5 à 10 cm de l'œil quand vous tenez l'arbalète en position de tir. Chaque bague de montage de lunette de visée est dotée d'une vis de fixation orientée perpendiculairement sous le côté inférieur. Ces vis s'emboîtent dans les rainures du rail Picatinny supérieur. Vous voudrez peut-être régler votre arbalète (voir la section 4) avant de positionner votre lunette de visée. Voir la figure 8.
 - 10b** Une fois que vous avez trouvé la position optimale de votre lunette de visée, serrez les deux vis de fixation à l'aide d'un tournevis à tête plate pour fixer la lunette au rail Picatinny supérieur.

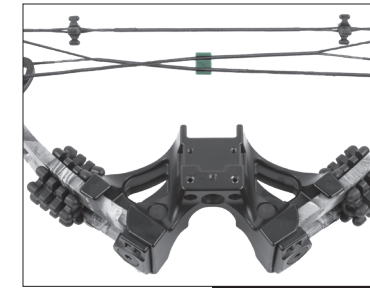


FIGURE 1

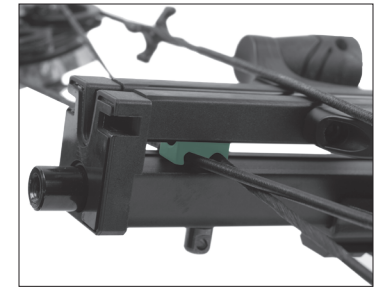


FIGURE 2



FIGURE 3

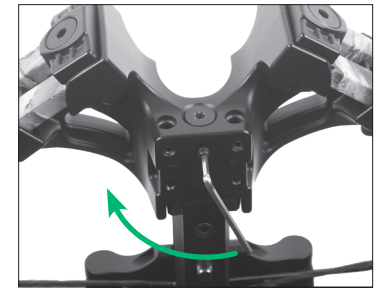


FIGURE 4

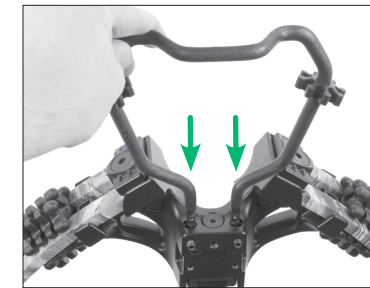


FIGURE 5

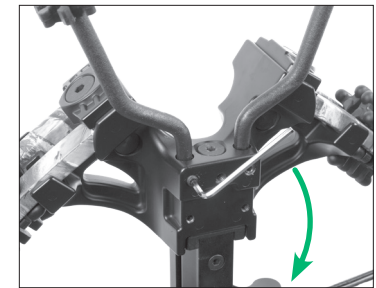


FIGURE 6

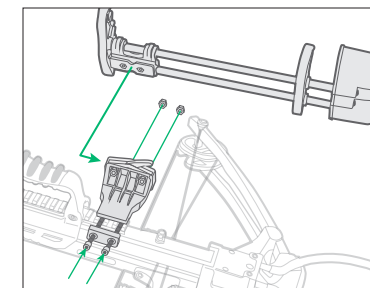


FIGURE 7



FIGURE 8



Section 4 : Ajustement de votre Amped 425

Avant la première utilisation, prenez le temps de vous assurer que votre arbalète est bien ajustée à votre personne pour une sécurité et un confort optimaux.

Pour ajuster la crosse (partie 25), appuyez sur le levier sous la partie avant de la crosse, comme illustré à la figure 9. En gardant le levier enfoncé, faites glisser la crosse de la position 0 (la plus courte) à la position 5 (la plus longue). Vous pouvez voir les numéros des positions du haut de l'arbalète, à travers un trou dans l'appui-joue. Relâchez le levier pour verrouiller le bout de crosse en place.

Pour ajuster l'appui-joue, desserrez les 4 vis qui le retiennent en place (2 vis de chaque côté), puis faites glisser l'appui-joue vers le haut ou vers le bas jusqu'à la position la plus confortable. Une fois l'ajustement terminé, serrez les vis pour le verrouiller en place.

Pour ajuster le garde-main (partie 8), desserrez les deux vis du garde-main qui se trouvent du côté gauche de l'arbalète, comme illustré à la figure 10. Une fois les vis desserrées, vous pouvez faire glisser le garde-main vers l'avant ou vers l'arrière le long du rail Picatinny inférieur. Une fois l'ajustement terminé, serrez les vis pour le verrouiller en place.

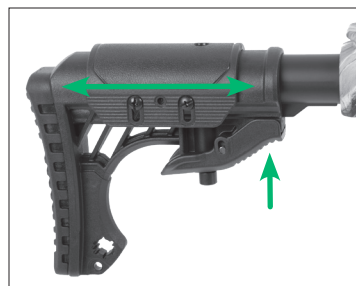


FIGURE 9

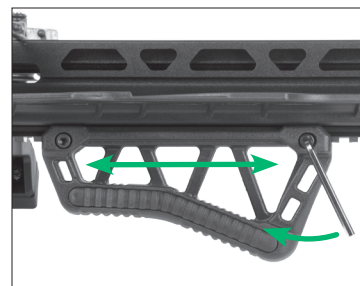


FIGURE 10

Section 5 : Utilisation de votre Amped 425

ARMEMENT DE VOTRE AMPED 425

AVERTISSEMENT : UNE FOIS QUE VOUS AVEZ ARMÉ VOTRE ARBALÈTE À POULIÈRES AMPED 425, VOUS DEVEZ TIRER UNE FLÈCHE POUR LA DÉARMER DE FAÇON SÉCURITAIRE.

AVERTISSEMENT : ARMEZ VOTRE AMPED 425 UNIQUEMENT SI VOUS ÊTES À UN ENDOIT ET DANS UNE SITUATION OÙ VOUS SOUHAITEZ TIRER UNE FLÈCHE.

AVERTISSEMENT : UN TIR À SEC OU UNE TENTATIVE DE DÉARMEMENT MANUEL DE L'AMPED 425 À L'AIDE DES MAINS, DU DISPOSITIF D'ARMEMENT DE LA CORDE OU D'UN DISPOSITIF D'ARMEMENT APPROUVÉ PEUT ENTRAÎNER DE GRAVES BLESSURES OU DES DOMMAGES À L'ARBALÈTE.

AVERTISSEMENT : LE FAIT DE LAISSER L'AMPED 425 ARMÉE PENDANT UNE LONGUE PÉRIODE N'EST PAS SÉCURITAIRE ET PEUT ENDOMMAGER L'ARBALÈTE.

Pour armer votre Amped 425, vérifiez d'abord que le cran de sûreté (partie 2) est réglé à la position (F) (DÉGAGÉE). Si la détente est bloquée, le cran de sûreté est en position (S) (ENCLANCHÉE) et il sera IMPOSSIBLE d'armer l'Amped 425. (La sûreté s'enclenche automatiquement quand l'arbalète est armée.)

Pour dégager la sûreté aux fins d'armement, soulevez le cran de préparation à l'armement (partie 3) et glissez le cran de sûreté vers l'avant jusqu'à la position (F) (DÉGAGÉE). Utilisez uniquement le cran de préparation à l'armement pour dégager la sûreté aux fins d'armement.

ATTENTION : SI VOUS UTILISEZ LE CRAN DE PRÉPARATION À L'ARMEMENT QUAND L'ARBALÈTE EST ARMÉE, VOUS DÉGAGEZ LE MÉCANISME DE PROTECTION CONTRE LE TIR À VIDE, CE QUI EST DANGEREUX ET PEUT ENTRAÎNER DE GRAVES BLESSURES.

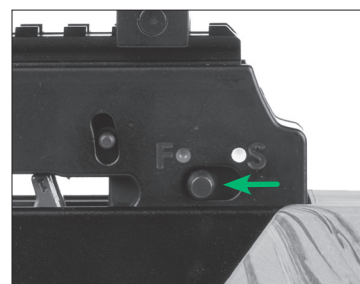


FIGURE 11

La sûreté est dégagée et l'arbalète est prête à être armée quand le cran de sûreté est passé de la position (S) (ENCLANCHÉE), sous le point blanc, à la position (F) (DÉGAGÉE), sous le point rouge, comme illustré à la figure 11.

Confirmez ensuite que votre rail de lancement (partie 5) est bien lubrifié. Pour lubrifier votre rail de lancement, frottez un peu du lubrifiant pour rail fourni de chaque côté du rail de lancement. À l'aide d'un doigt, étendez le lubrifiant sur toute la longueur de chaque côté du rail de lancement, jusqu'aux butées de corde (partie 17). Nous recommandons de lubrifier le rail tous les 12 à 15 tirs.

AVERTISSEMENT : L'AMPED 425 S'ARME DE LA FAÇON LA PLUS SÉCURITAIRE ET FACILE À L'AIDE DE LA CORDE D'ARMEMENT OU DU DISPOSITIF D'ARMEMENT FOURNI. L'UTILISATION DE TOUT AUTRE DISPOSITIF D'ARMEMENT OU CORDE D'ARMEMENT PEUT ÊTRE DANGEREUSE ET ENDOMMAGER VOTRE ARBALÈTE.

Section 5 : Utilisation de votre Amped 425 (suite)

Posez l'étrier (partie 14) au sol et insérez-y un pied à fond.

Placez le centre de la corde d'armement fournie dans la rainure de corde (partie 24), qui se trouve juste au-dessus du point où la crosse est reliée au bout de crosse.

Accrochez les deux crochets de la corde d'armement, orientés vers le haut, sur la corde d'arc (partie 19) de façon qu'ils se situent de chaque côté du rail de lancement (partie 5). Voir la figure 12.

Tirez simultanément sur les deux poignées en T de la corde d'armement tout en appuyant sur l'étrier. Cette action bandera la corde d'arc sous le ressort de retenue sur roulement à billes (partie 21) et dans le mécanisme de détente. Quand l'arbalète est bien armée, la corde d'arc est saisie par le loquet de détente, et le cran de sûreté passe automatiquement de la position (F) (DÉGAGÉE) à la position (S) (ENCLANCHÉE). Voir les figures 13 et 14.

Quand vous entendez la sûreté s'enclencher, relâchez lentement et soigneusement la tension que vous exercez sur la corde d'armement. Si l'arbalète est bien armée, le loquet de détente retiendra la corde d'arc. Si la corde d'arc demeure libre, continuez de tirer sur la corde d'armement jusqu'à ce que l'arbalète soit armée.



FIGURE 12



FIGURE 13

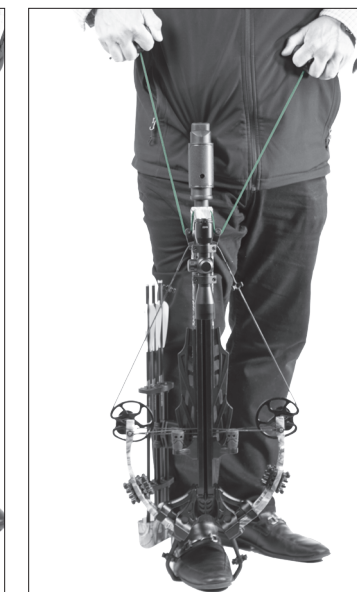


FIGURE 14

ATTENTION : L'ARMEMENT DE L'AMPED 425 TEND LA CORDE D'ARC ET LES CÂBLES, CE QUI NÉCESSITE UN EFFORT. SI VOUS DEVEZ RELÂCHER CETTE TENSION AVANT QUE L'ARBALÈTE SOIT ENTIÈREMENT ARMÉE, FAITES-LE LENTEMENT ET SOIGNEUSEMENT AFIN D'ÉVITER LES BLESSURES OU LES DOMMAGES.

Retirez les crochets de la corde d'armement de la corde d'arc, puis la corde de la rainure de corde. Votre Amped 425 est maintenant armée et prête à être chargée.

COMMENT ENCLANCHER LA SÛRETÉ

Quand la sûreté de l'arbalète à poulies Amped 425 est bien enclenchée, elle désactive la détente et empêche le tir accidentel. La sûreté s'enclenche automatiquement quand l'arbalète est armée.

ATTENTION : NE SUBSTITUEZ JAMAIS UN DISPOSITIF MÉCANIQUE, COMME LA SÛRETÉ, À DES PRATIQUES DE MANIÈRE SÉCURITAIRE. MANIEZ TOUJOURS UNE ARBALÈTE COMME SI LA SÛRETÉ N'ÉTAIT PAS ENCLANCHÉE. COMME TOUT DISPOSITIF MÉCANIQUE, IL EST POSSIBLE QUE LA SÛRETÉ DE L'ARBALÈTE FASSE DÉFAUT.

Avant de charger une flèche, assurez-vous que la sûreté est enclenchée. Quand la sûreté est enclenchée, le cran de sûreté se trouve sous la position (S) (ENCLANCHÉE) et le point blanc.

Pour enclencher manuellement la sûreté, faites glisser le cran de sûreté (partie 2) vers l'arrière jusqu'à ce que vous entendiez et sentiez le clic du cran de sûreté. Confirmez que le cran de sûreté est passé de la position (F) (DÉGAGÉE), au niveau du point rouge, à la position (S) (ENCLANCHÉE), au niveau du point blanc, comme illustré à la figure 15.

AVERTISSEMENT : QUELLE QUE SOIT LA RAISON, SI LE CRAN DE SÛRETÉ NE S'ENCLENCHE PAS ENTIÈREMENT EN POSITION (S) (ENCLANCHÉE) PENDANT QUE L'ARBALÈTE EST ARMÉE, DÉARMEZ L'ARBALÈTE DE FAÇON SÉCURITAIRE EN TIRANT UNE FLÈCHE SUR UNE CIBLE SÉCURITAIRE. N'UTILISEZ PAS L'ARBALÈTE ET N'ESSAYEZ PAS DE L'ARMER. VEUILLEZ COMMUNIQUER AVEC LE SERVICE À LA CLIENTÈLE DE CENTERPOINT ARCHERY AU (866) 726-1122 POUR OBTENIR UNE RÉPARATION AUTORISÉE.

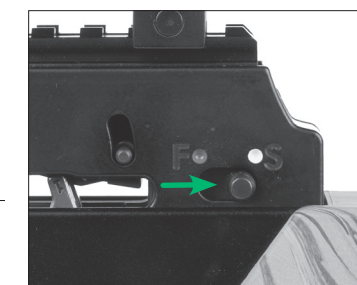


FIGURE 15



Section 5 : Utilisation de votre Amped 425 (suite)

CHARGEMENT DE L'AMPED 425

AVERTISSEMENT : LAISSEZ TOUJOURS LA SÛRETÉ À LA POSITION (S) (ENCLENCHÉE) JUSQU'À CE QUE VOUS SOYEZ PRÊT À TIRER.

Avant de charger une flèche dans l'Amped 425, vérifiez si le cran de sûreté est réglé à la position (S) (ENCLENCHÉE) et si l'arbalète pointe vers une direction sécuritaire.

Assurez-vous que la flèche que vous chargez est en bon état et approuvée pour une utilisation avec l'Amped 425. Utilisez uniquement des flèches de 20 pouces dotées d'une encoche demi-lune dont le poids à l'état fini est de plus de 400 grains.

Pour charger l'Amped 425, tenez une flèche entre deux doigts près de sa pointe de chasse ou de pratique, les mains à l'écart de l'extrémité de l'encoche. Cette prise vous permet de charger votre arbalète sans placer aucune partie de votre main dans la trajectoire de la corde d'arc, comme illustré à la figure 16.



FIGURE 16

AVERTISSEMENT : GARDEZ TOUJOURS LES MAINS, LES DOIGTS ET TOUTE AUTRE PARTIE DU CORPS À L'ÉCART DE LA TRAJECTOIRE DE LA CORDE D'ARC ET DES CÂBLES QUAND L'ARBALÈTE EST ARMÉE. LE NON-RESPECT DE CET AVERTISSEMENT PEUT CAUSER DES BLESSURES GRAVES OU LA MORT.

L'empenne de couleur différente orientée vers le bas, dans la rainure de lancement, glisse l'encoche vers l'ensemble de détente jusqu'à ce qu'elle s'engage entièrement avec la corde d'arc. Sur les flèches incluses, l'empenne de couleur différente est blanche.

COMMENT DÉGAGER LA SÛRETÉ

L'arbalète pointant dans une direction sûre et chargée d'une flèche, faites glisser le cran de sûreté (partie 2) vers l'avant jusqu'à ce que vous entendiez et sentiez le déclic du cran. La sûreté est dégagée et l'arbalète est prête à être armée ou à tirer quand le cran de sûreté est passé de la position (S) (ENCLENCHÉE), sous le point blanc, à la position (F) (DÉGAGÉE), sous le point rouge, comme illustré à la figure 11 de la page 4.

ATTENTION : N'UTILISEZ PAS LE CRAN DE PRÉPARATION À L'ARMEMENT (PARTIE 2) POUR DÉGAGER LA SÛRETÉ SI L'ARBALÈTE EST ARMÉE. AUTREMENT, VOUS DÉSACTIVEREZ LE MÉCANISME DE PROTECTION CONTRE LE TIR À VIDE. UTILISEZ UNIQUEMENT CE CRAN POUR DÉGAGER LA SÛRETÉ SI L'ARBALÈTE EST RÉGLÉE EN POSITION (S) (ENCLENCHÉE) ET QUE VOUS SOUHAITEZ ARMER L'ARBALÈTE.

COMMENT VISER ET TIRER AVEC L'AMPED 425

AVERTISSEMENT : NE PLACEZ JAMAIS UNE PARTIE DU CORPS (Y COMPRIS LES MAINS OU LES DOIGTS) DANS LA TRAJECTOIRE DE LA CORDE D'ARC OU DES CÂBLES. EN TOUT TEMPS, GARDEZ LA MAIN AVANT SUR LE GARDE-MAIN DE LA CROSSE, SOUS LA TRAJECTOIRE DE LA CORDE ET DES CÂBLES (VOIR LA FIGURE 17). LE NON-RESPECT DE CET AVERTISSEMENT PEUT CAUSER DES BLESSURES GRAVES OU LA MORT.

(Pour obtenir les instructions sur le réglage de la visée et l'ajustement de la lunette de visée incluse, consultez le manuel d'utilisation inclus de cette dernière.)

Avant de tirer avec votre Amped 425, confirmez ce qui suit :

- vous visez une cible sûre et êtes conscient de ce qui peut potentiellement se trouver derrière cette cible;
- vous et les personnes qui vous entourent portez les protections oculaires appropriées;
- toutes les parties de votre corps, y compris les mains, les doigts et les pouces, se trouvent à l'écart de la trajectoire de la corde d'arc et des câbles;
- vous ne visez pas une surface dure ou la surface d'un plan d'eau, car les flèches peuvent ricocher et toucher une cible non voulue;
- les branches et les poulies de l'arbalète présentent un dégagement suffisant pour s'allonger lors du tir. Quand vous tirez, ces éléments sont projetés depuis la crosse avec une grande puissance et peuvent causer des blessures à quiconque ou des dommages à n'importe quoi qui entre en contact avec eux, ou ils peuvent subir eux-mêmes des dommages; et
- le cran de sûreté est réglé à la position (S) (ENCLENCHÉE)



FIGURE 17



FIGURE 18

L'arbalète armée et chargée pointée sur votre cible, appuyez la crosse (partie 25) contre l'épaule de votre bras dominant, placez votre main non dominante sur le garde-main (partie 8) et votre main dominante sur la poignée, les doigts à l'extérieur du pontet (partie 7). Toutes les parties des deux mains, des doigts et des pouces doivent se situer sous les protège-doigts (partie 9) et à l'écart de la trajectoire de la corde d'arc, comme illustré aux figures 17 et 18.

Section 6 : Comment entretenir votre Amped 425

L'arbalète toujours pointée sur une cible sûre, dégagez la sûreté en poussant le cran de sûreté vers l'avant, de la position (S) (ENCLENCHÉE) à la position (F) (DÉGAGÉE). Vous entendrez un « déclic » quand la sûreté sera entièrement dégagée.

Votre arbalète à poulies Amped 425 est maintenant prête à tirer. Pour lancer une flèche, vérifiez à nouveau si vous pouvez tirer en toute sécurité, placez le doigt sur la détente et appuyez doucement sur celle-ci.

NE TIREZ JAMAIS À VIDE AVEC L'ARBALÈTE. Consultez la section 5 afin de connaître les instructions pour désarmer votre Amped 425 de façon sécuritaire.

NE MODIFIEZ L'AMPED 425 D'AUCUNE FAÇON QUE CE SOIT. Les tentatives de modification de l'arbalète à poulies Amped 425 d'une façon qui n'est pas indiquée dans le présent manuel d'utilisation peuvent rendre l'arbalète dangereuse ou entraîner de graves blessures, voire la mort. La modification de l'Amped 425 annule sa garantie.

Avant l'utilisation, vérifiez TOUJOURS soigneusement l'arbalète pour y déceler des pièces usées, endommagées, desserrées ou manquantes. Si votre Amped 425 est usée ou endommagée, appelez le service à la clientèle pour obtenir de l'aide avant de l'utiliser.

Si vous laissez tomber votre arbalète, inspectez-la pour y déceler des dommages, puis, pendant le processus d'armement, assurez-vous que tout semble normal avant l'utilisation. Si quelque chose semble différent, ARRÊTEZ immédiatement. Cessez l'utilisation de l'arbalète tant qu'elle n'a pas fait l'objet d'une inspection par un professionnel.

Afin d'éviter la rouille et la corrosion, enduisez périodiquement toutes les pièces métalliques d'une mince couche de lubrifiant à base de silicone.

Afin de réduire l'effilochage et l'usure de la corde d'arc, frottez un peu de lubrifiant pour rail fourni de chaque côté du rail de lancement. À l'aide d'un doigt, appliquez le lubrifiant sur toute la longueur de chaque côté du rail de lancement, jusqu'aux butées de corde (partie 17). Nous recommandons de lubrifier le rail tous les 12 à 15 tirs.

Vous devriez également lubrifier la corde d'arc avec de la cire pour corde d'arc (non comprise). Éliminez d'abord toute accumulation de vieille cire, mais NE cirez PAS la section centrale de la corde d'arc, qui est dotée d'une enveloppe spéciale et qui se nomme « tranche-fil central », lequel entre en contact avec le rail de lancement. Le fait de cirer le tranche-fil peut entraîner l'accumulation de cire dans le mécanisme de détente. Une fois la corde d'arc cirée, frottez la cire délicatement avec les doigts, puis avec un linge propre.

Quand votre corde d'arc commence à paraître usée ou effilochée, il faut la remplacer à l'aide d'une presse à arc. Communiquez avec une boutique d'archerie pour faire effectuer ce remplacement par un professionnel. Il est impossible d'effectuer ce remplacement sans équipement professionnel.

Avant de lancer une flèche, inspectez-la soigneusement pour y déceler de l'usure, des dommages ou des entailles. Même de petits défauts ou des dommages mineurs peuvent entraîner l'éclatement violent de la flèche quand elle est tirée avec une arbalète, ce qui peut entraîner des blessures graves à vous-même et aux personnes à proximité. Mettez au rebut toutes les flèches endommagées conformément aux exigences des lois et règlements locaux.

Rangez votre arbalète dans un endroit frais et sec.

Protéger l'arbalète de la chaleur excessive comme celle présente dans le coffre d'une voiture par temps chaud ou près d'une conduite d'évacuation d'un appareil de chauffage.

Si vos flèches se dissocient de la corde d'arc une fois chargées, il se peut que vous ayez à remplacer le ressort de retenue sur roulement à billes (partie 21) de votre arbalète. Cette pièce retient la flèche en place quand elle est chargée.

Pour remplacer le ressort de retenue sur roulement à billes de l'Amped 425 :

- Communiquez avec le service à la clientèle de CenterPoint par le biais du site centerpointarchery.com/contact/ pour commander les bonnes pièces.
- Retirez la lunette de visée 4x32 mm (si elle est installée) du rail Picatinny supérieur (partie 23) en desserrant les deux vis de fixation.
- Retirez les deux vis hexagonales qui se situent complètement à l'arrière du rail Picatinny supérieur, comme illustré à la figure 19A.
- Soulevez le rail Picatinny supérieur pour le retirer de la crosse.
- Retirez les deux vis restantes, qui se situent complètement à l'avant, du dessus du rail Picatinny supérieur, comme illustré à la figure 19B.
- Retirez et remplacez le ressort de retenue, vissez-le en place, puis vissez le rail Picatinny supérieur en place en suivant les instructions ci-dessus dans l'ordre inverse.

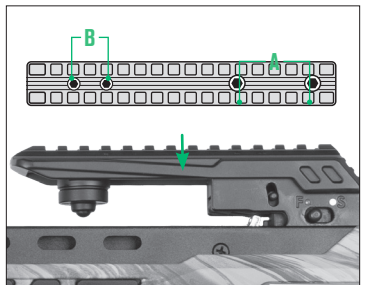


FIGURE 19



CARACTÉRISTIQUES TECHNIQUES

PIED/SEC	jusqu'à 425 pieds par seconde	OPTIQUE	Lunette de visée 4x32 mm
PUISSANCE	195 lb	SÛRETÉ	Automatique, ambidextre
ÉNERGIE CINÉTIQUE	160 pi/lb	POIDS	7,8 lb
RECU	14,5 po	LONGUEUR	36 po
BRANCHES	Quadruples en fibre de verre comprimée	LARGEUR ENTRE AXES	12 po Armée, 15,75 po Non armée
CROSSE	Composite	FLÈCHE	20 po–400 gr. avec encoche demi-lune
POIGNÉE/RAIL	Aluminium		

GARANTIE LIMITÉE RELATIVE AUX ARBALÈTES CENTERPOINT

Votre arbalète CenterPoint® est garantie contre tout défaut de matériaux et de fabrication pendant une période de 5 ans à partir de la date d'achat. Cette garantie n'est pas transférable et pour cette raison, seul le propriétaire initial peut s'en prévaloir. Cette garantie ne couvre pas les dommages causés par l'usure normale ou une négligence dans l'entretien de routine, et elle ne couvre pas les câbles, les cordes ni les accessoires. Dans le cas d'une défectuosité couverte par cette garantie, CenterPoint procédera à la réparation ou au remplacement du produit, à sa discrétion, si toutefois l'inspection indique qu'une défectuosité d'origine est en cause. CenterPoint se réserve le droit de remplacer tout produit qui n'est plus en production par un produit de valeur et de fonction comparables. Si CenterPoint détermine que la réparation n'est pas couverte au titre de la garantie, il se peut que cette réparation soit à vos frais. Il s'agit d'une garantie limitée qui ne couvre pas les dommages causés par le feu, un usage abusif, un manquement inadéquat ou une installation ou un entretien effectué par un tiers autre qu'un centre de service autorisé CenterPoint.

CETTE GARANTIE LIMITÉE N'INCLUT PAS LES DOMMAGES INDIRECTS, LES DOMMAGES OU FRAIS ACCESSOIRES, Y COMPRIS LES DOMMAGES MATÉRIELS OU TOUTE AUTRE DÉPENSE ENGAGÉE. CENTERPOINT DÉCLINE TOUTE GARANTIE IMPLICITE, Y COMPRIS LES GARANTIES TACITES DE QUALITÉ MARCHANDE ET D'ADÉQUATION À UN USAGE PARTICULIER. CERTAINS ÉTATS NE PERMETTENT PAS L'EXCLUSION OU LA LIMITATION DES DOMMAGES ACCESSOIRES OU INDIRECTS OU PERMETTENT DES RESTRICTIONS SUR LES GARANTIES IMPLICITES, PAR CONSÉQUENT, LES CLAUSES LIMITATIVES OU EXCLUSIVES CI-DESSUS PEUVENT NE PAS S'APPLIQUER DANS VOTRE CAS. SI UNE DISPOSITION DE CETTE GARANTIE EST INTERDITE EN VERTU D'UNE LOI FÉDÉRALE, NATIONALE, OU MUNICIPALE, SUR LAQUELLE LA DISPOSITION NE PEUT PRÉVALOIR, CETTE DERNIÈRE NE SERA PAS APPLICABLE. CETTE GARANTIE VOUS CONFÈRE CERTAINS DROITS RECONNUS PAR LA LOI. VOUS POUVEZ ÉGALEMENT DÉTENIR D'AUTRES DROITS QUI VARIENT D'UN ÉTAT À L'AUTRE ET D'UN PAYS À L'AUTRE.

ATTENTION – AVANT DE RETOURNER CE PRODUIT AU MAGASIN :

Communiquez avec un représentant du service à la clientèle pour obtenir de l'aide au (866) 726-1122 ou par le biais du site centerpointarchery.com.

RÉCLAMATIONS AU TITRE DE LA GARANTIE / SERVICE DE RÉPARATION

Si votre produit a besoin d'être réparé, N'ESSAYEZ PAS DE LE DÉMONTÉ. Tout démontage et toute modification effectués autrement que par un centre de service après-vente CenterPoint autorisé annuleront la garantie.

Clients des États-Unis : Communiquez avec le service à la clientèle de CenterPoint par le biais du site centerpointarchery.com/contact/ ou à l'adresse postale ci-dessous. Nous vous indiquerons où et comment envoyer votre produit CenterPoint aux fins de réparation ou de remplacement au titre de la garantie, ou nous vous dirigerons vers un centre de service autorisé.

CenterPoint Archery

Attn: Warranty Dept.
3535 Tower Ave
Superior, WI 54880

Si on vous invite à expédier votre produit CenterPoint à des fins de réparation ou de remplacement, veuillez inclure votre produit, une copie de votre reçu et une brève description écrite du problème. N'oubliez pas d'inclure votre nom, adresse postale, adresse e-mail et numéro de téléphone dans l'emballage.

Nous vous recommandons fortement d'assurer votre expédition et de recourir aux services d'un expéditeur qui fournit un numéro de suivi. CenterPoint n'est pas responsable des marchandises endommagées, perdues ou volées pendant l'expédition en direction ou en provenance de CenterPoint.

Veuillez prévoir de 2 à 4 semaines pour effectuer une réparation ou un remplacement.

Clients canadiens : Pour un service au titre de la garantie, veuillez communiquer avec l'agence Gravel, située à Québec, au (866) 662-4869.

Clients à l'extérieur des États-Unis ou du Canada : Pour un service au titre de la garantie, veuillez communiquer avec le détaillant ou le distributeur auprès duquel vous avez acheté votre produit CenterPoint. Si vous ne connaissez pas le détaillant ou le distributeur, ou s'il vous est impossible de communiquer avec ce dernier, vous pouvez communiquer avec notre service international pour obtenir de l'aide en composant le (585) 657-6161 ou par le biais du site centerpointarchery.com.

CenterPoint Archery

3535 Tower Ave.
Superior, WI 54880
United States of America
1.866.726.1122
centerpointarchery.com



Fabriqué à Taiwan

CENTERPOINT, le logo CENTERPOINT, AMPED et Power Draw sont des marques de commerce de Crosman Corporation.

CenterPoint est une marque de commerce de Crosman Corporation aux États-Unis. © 2020 Crosman Corporation 11-20 0M

AXCA200FCKB517