



SNIPER[®] XT390

COMPOUND CROSSBOW

| Owner's Manual |





WELCOME

We're honored that you've selected the Sniper XT390 Compound Crossbow. Whether this crossbow is a gift for yourself or a way for you to help welcome others into the hunters' way of life, we trust it will impress.

For your own safety:

PLEASE READ THIS ENTIRE OWNER'S MANUAL BEFORE USING YOUR SNIPER XT390 COMPOUND CROSSBOW.

Crossbows—including the Sniper XT390—are intended for hunting and target shooting. If used incorrectly or carelessly, they can injure or kill you and those around you. We want you to take your best shot—and only your best shot. BE CAREFUL—SHOOT SAFELY!

If this is your first CenterPoint crossbow, you may welcome some extra guidance before you first cock, load, or fire your Sniper XT390. If you have any questions or concerns about this product, its proper assembly, or safe use, please do not hesitate to contact us via centerpointarchery.com/contact/. Our customer service experts are available Monday through Friday, from 9AM to 4:30PM CST, and we're happy to help you.

WELCOME TO THE CENTERPOINT FAMILY

You were born for this.

⚠ WARNING: RECOMMENDED FOR ADULT USE ONLY. MISUSE OR CARELESS USE MAY RESULT IN SERIOUS INJURY OR DEATH. READ ALL INSTRUCTIONS BEFORE USING. RETAIN INSTRUCTIONS AND SAFETY MANUAL FOR FUTURE REFERENCE.

⚠ WARNING: ALWAYS KEEP YOUR HANDS, FINGERS, AND THUMBS OUT OF THE TRAVEL PATH OF THE BOWSTRING AND CABLES AND BELOW THE RAIL WHEN A CROSSBOW IS COCKED.

⚠ WARNING: BUYER AND USER HAVE THE DUTY TO OBEY ALL LAWS ABOUT THE USE AND OWNERSHIP OF THIS CROSSBOW.

⚠ WARNING: THIS PRODUCT CAN EXPOSE YOU TO CHEMICALS INCLUDING LEAD, WHICH IS KNOWN TO THE STATE OF CALIFORNIA TO CAUSE CANCER, AND LEAD, WHICH IS KNOWN TO THE STATE OF CALIFORNIA TO CAUSE BIRTH DEFECTS OR OTHER REPRODUCTIVE HARM. FOR MORE INFORMATION, GO TO WWW.P65WARNINGS.CA.GOV.

Section 1: Safety

Please do not skip reading this page. The following rules are essential for safe crossbow use and maintenance.

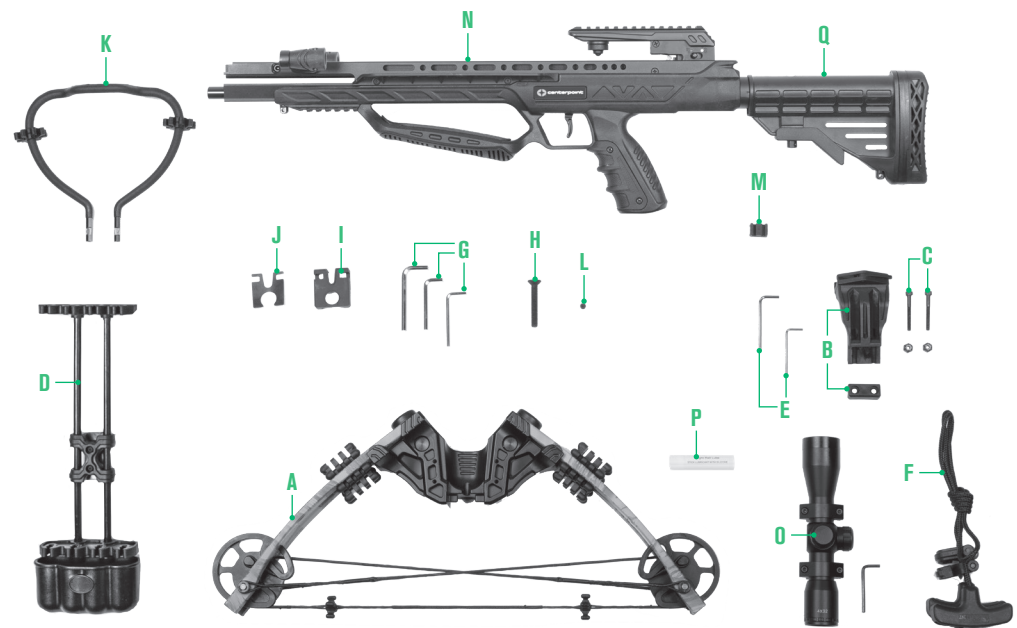
- ALWAYS treat this crossbow as though it is loaded and ready to fire.
- ALWAYS treat this crossbow with the same respect you would a firearm.
- ALWAYS store this crossbow unloaded and away from children.
- ALWAYS make sure that this crossbow is unloaded and its safety switch is set to SAFE before transferring it to or from another person, or taking it out of storage.
- ALWAYS keep this crossbow's safety switch set to SAFE until you are ready to shoot.
- ALWAYS be sure of your target and what is potentially behind your target.
- ALWAYS check your archery backstop for wear before and after target shooting. All target backstops are subject to wear and will eventually fail. Replace your target backstop when the surface becomes worn or damaged.
- ALWAYS check your crossbow thoroughly for worn, damaged, loose, or missing parts prior to shooting.
- ALWAYS check your rope cocking device thoroughly for worn, damaged, loose, or missing parts prior to use.
- ALWAYS inspect your arrows regularly. Shooting a damaged arrow may cause you or those near you serious injury. Any nicked, dented, split, or splintered arrows should be discarded immediately.
- ALWAYS keep your hands, fingers, and thumbs out of the travel path of the bowstring and cables and below the rail when a crossbow is cocked.
- ALWAYS be sure the crossbow's limbs are clear from striking any obstacle before shooting. Firing will allow the limbs to decompress with dramatic force. If doing so causes crossbow limbs to strike an obstacle, the crossbow and the obstacle may both suffer significant damage.
- ALWAYS wear safety glasses when using any type of bow.
- NEVER use this crossbow with a target that is not designed for use with a crossbow. Arrows fired from this crossbow can easily penetrate inferior targets and worn backstops.
- NEVER cock or load this crossbow until you are ready to shoot.
- NEVER point this crossbow at any person or at anything you do not intend to shoot.
- NEVER rely on this crossbow's auto-safety or any other mechanical device as a replacement for safe handling practices.
- NEVER put your finger on the trigger or inside the trigger guard until you are ready to shoot.
- NEVER dry fire this crossbow. Shooting without an arrow nocked will damage your crossbow and could injure you.
- NEVER shoot any arrow, bolt, or projectile from this crossbow except for those recommended by CenterPoint for use with the Sniper XT390 Compound Crossbow. Shooting non-recommended projectiles could result in injury to you or damage to the crossbow. ONLY load 20" arrows with a half moon nock with a finished weight of 400 grains or above in an Sniper XT390 Compound Crossbow.
- NEVER cock your crossbow beyond its maximum power stroke or you may damage its limbs, cables, and/or bowstring.
- NEVER use your hand, the rope cocker, or approved cranking device to de-cock this crossbow as it may cause serious injury to you or damage to the crossbow.
- NEVER attempt to disassemble or tamper with this crossbow, as special tools are required. Contact an archery shop for assistance. Attempting to modify this crossbow in any way not described in this Owner's Manual may render this crossbow unsafe and will void the warranty.

Section 2: Meet the Sniper XT390

PARTS LIST

Please check to ensure all parts are present before attempting assembly.

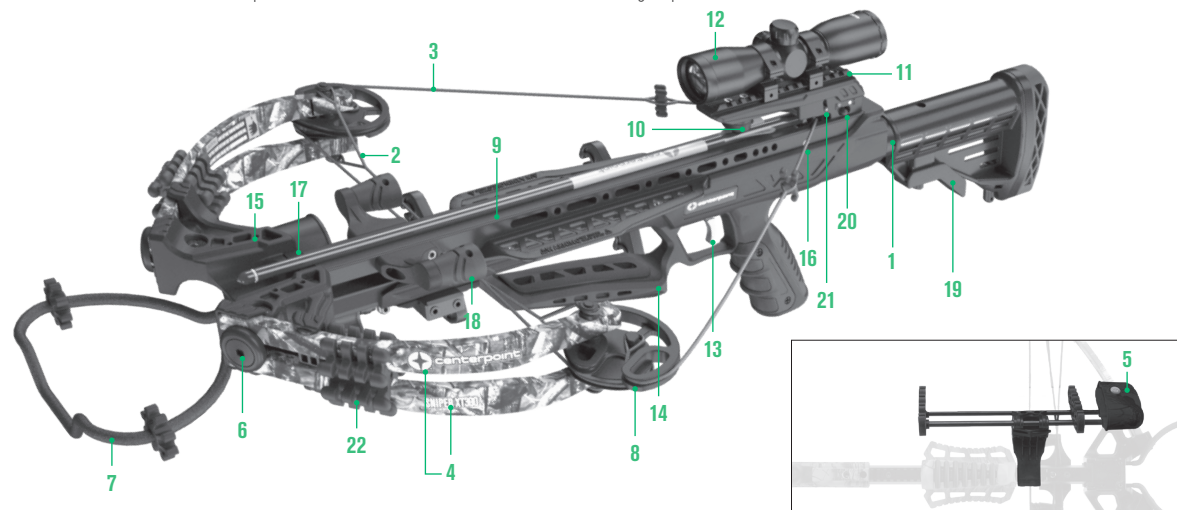
- | | | | |
|---|---------------------------------|---|----------------------|
| A. Limbs/Riser Assembly (w/Strings/cables) | F. Rope Cocker | K. Foot Stirrup | P. Rail Lube |
| B. Quiver Mount (2pcs) | G. Assembly Hex Wrenches | L. Riser Bolt Locking Screw | Q. Butt Stock |
| C. Quiver Mount Screws (2) | H. Riser Bolt | M. Cable Slide | |
| D. Quiver | I. Joint Cap | N. Crossbow Main Body (Stock/Barrel) | |
| E. Quiver Hex Wrenches (2) | J. Joint Cap Pad | O. 4x32 Scope & Rings | |



THE PARTS OF AN SNIPER XT390 CROSSBOW

Familiarizing yourself with the terminology used to describe the parts of a crossbow will aid you during assembly. This schematic shows a fully assembled, cocked, and loaded Sniper XT390 Compound Crossbow.

- | | | | |
|-----------------------|--|-----------------------------|---------------------------------------|
| 1. Stock | 7. Foot Stirrup | 13. Trigger | 19. Adjustable Butt Stock |
| 2. Cables | 8. Cam | 14. Fore Grip | 20. Safety Switch |
| 3. String | 9. Rail | 15. Riser | 21. Cocking Preparation Switch |
| 4. Split Limb | 10. Ball bearing Retention Spring | 16. (Center) Serving | 22. Limb Dampeners |
| 5. Quiver | 11. Sight Bridge | 17. Flight Groove | |
| 6. Limb Pocket | 12. Scope | 18. String Stop | |



Section 3: Assembling Your Sniper XT390

Please visit centerpointarchery.com/sniper-xt390#dm to find a helpful video that walks you through assembling the Sniper XT390, step-by-step.

It should take you about 30-minutes to properly assemble your Sniper XT390 Compound Crossbow. Beyond the materials and tools supplied, you will also need a flat-head screwdriver. Please follow the steps below in order:

1 Installing the Riser

- 1a** Attach the cable slide (Part M) to the cables. The cable slide has a larger gap on one side to properly slide onto the rail. (Fig. 3)
- 1b** Slide the cable slide into the opening at the end of the rail while sliding the string down the top of the rail. (Fig. 4)
- 1c** Attach the Joint Cap Pad (Part J) to the Joint Cap (Part I). Slide the Joint Cap onto the rail. (Fig. 4)
- 1d** Slide the riser (Part A) onto the rail (Part 9). Install and tighten the riser bolt (Part H) using the hex wrench. Insert the Riser Bolt Set Screw (Part L) to prevent the Riser Bolt from loosening. Tighten using hex wrench. (Fig. 5 & 6)

2 Inserting the Stirrup

- 2a** Insert the stirrup (Part K) onto the riser by aligning the retention grooves to the set screw holes using the 2 screws using the hex wrench (Fig. 7 & 8)

IMPORTANT: Be sure that the bow unit is secured tightly before engaging crossbow. Assembly parts may need to be retightened periodically after use.

3 Assembling the Quiver

- 3a** The Sniper XT390 comes with a parallel quiver mount (Part B). It can be mounted onto the left or right side of you crossbow.
- 3b** Loosen the screws (Part C) on the mounting bracket and attach to the picatinny rail under the barrel, in front of the foregrip (Part 14).
- 3c** Attach the quick disconnect quiver mount to the end of the mounting bracket (Fig 9).
- 3d** Connect the quiver to the quiver mount by sliding the two mounts together and locking in place with the locking lever.
- 3e** Ensure quiver is locked and secure.

4 Attaching the Scope

- 4a** Attach the Scope (Part O) mount rings onto the scope using the scope mount screws (4) (Fig. 10).
- 4b** Position your scope by moving it forward or backward until the proper eye relief is found. This is typically three or four inches from your eye to the eyepiece when you are holding the crossbow in a shooting position. (Fig. 10)
- 4c** Align the scope mount with the slots on the sight bridge rail (Part 11).
- 4d** Align the screws with the grooves on the rail, and tighten screw heads with a screw driver (not included). (Fig. 10).

5 Adjusting the Butt Stock Length

- 5a** Press the lever on the bottom of the stock (Part 19) (Fig. 11).
- 5b** Slide the Stock from 0-5 to lengthen or shorten stock position.
- 5c** Release the lever to lock into place.

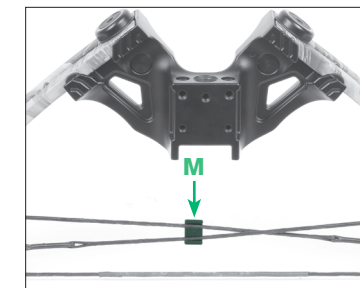


FIGURE 3

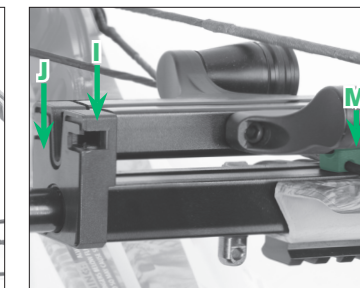


FIGURE 4



FIGURE 5



FIGURE 6

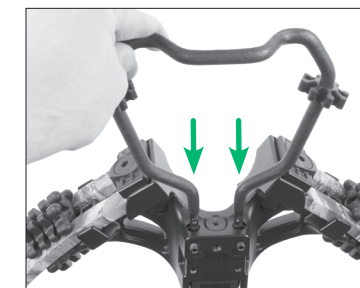


FIGURE 7

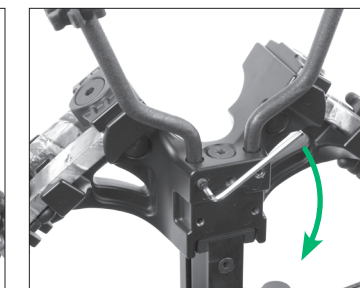


FIGURE 8

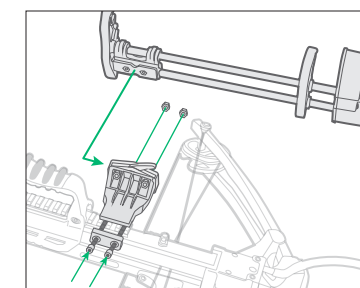


FIGURE 9



FIGURE 10

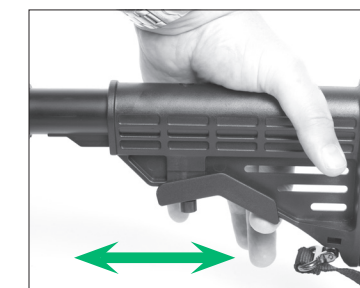


FIGURE 11



Section 4: Engaging the Safety

CAUTION: NEVER RELY ON A MECHANICAL DEVICE TO REPLACE SAFE HANDLING PRACTICES. ALWAYS HANDLE THE CROSSBOW AS IF THE CROSSBOW WAS NOT ON SAFE. LIKE ALL MECHANICAL DEVICES, A CROSSBOW SAFETY CAN FAIL. EVEN WHEN THE SAFETY IS "ON SAFE," YOU SHOULD CONTINUE TO HANDLE THE CROSSBOW IN A SAFE MANNER.

1 To Put the Crossbow on "SAFE"

NOTE: The safety automatically is engaged and the safety switch (Part 20) moves to the ON SAFE position when the crossbow is cocked in a normal manner (see Section 6. COCKING THE CROSSBOW).

- 1a Make sure the crossbow is pointed in a SAFE DIRECTION.
- 1b Slide the safety switch from the FIRE position to the ON SAFE position. (Fig. 12)
- 1c The crossbow is ON SAFE when the safety switch is moved all the way back under the WHITE dot.
- 1d Carefully inspect the safety switch to ensure that it is fully in the ON SAFE position (Fig. 12). If the safety switch has not moved all the way back to the WHITE dot, it has not been placed ON SAFE and is still in FIRE position. Always visually inspect the safety switch to make certain that it is in the desired position.

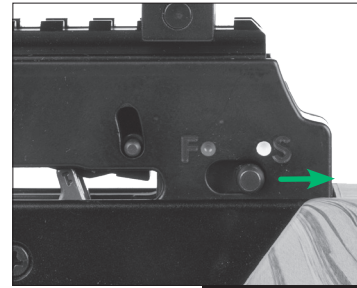


FIGURE 12

WARNING: FOR ANY REASON THE SAFETY SWITCH DOES NOT FULLY MOVE TO THE ON SAFE POSITION (FIG. 12), SAFELY DE-COCK THE BOW THROUGH THE USE OF AN ARROW AS DESCRIBED IN SECTION 5.3D. DO NOT USE THE CROSSBOW. CALL CUSTOMER SERVICE AT 1-866-726-1122 FOR AUTHORIZED REPAIR.

2 To Put the Crossbow on "FIRE"

NOTE: If attempting to cock the Crossbow and the safety switch is "ON SAFE", you will need to use the Cocking Preparation Switch (Part 21) to move the safety switch from the "ON SAFE" position to the "FIRE" position in order for the crossbow to accept the string when cocked. Follow the instructions on cocking and loading the crossbow (see Sections 5).

CAUTION:

- ONLY USE THE COCKING PREPARATION SWITCH (FIG. 14 #21) DURING THE NORMAL COCKING PROCEDURE TO MOVE THE SAFETY SWITCH FROM THE "ON SAFE" POSITION TO THE "FIRE" POSITION (SEE SECTION 5- COCKING THE CROSSBOW).
- DO NOT USE THE COCKING PREPARATION SWITCH AFTER THE CROSSBOW IS COCKED. USE OF THE COCKING PREPARATION SWITCH, WHILE THE CROSSBOW IS IN THE COCKED POSITION, WILL TURN OFF THE ANTI-DRY FIRE MECHANISM.

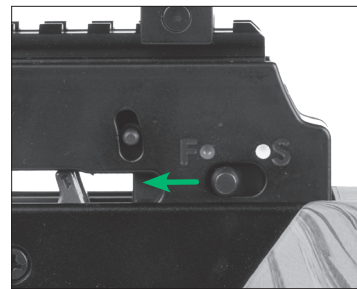


FIGURE 13

- 2a Make sure the crossbow is pointed in a SAFE DIRECTION.
- 2b Locate the safety switch on the side of the stock.
- 2c Slide the safety switch from the ON SAFE position to the FIRE position. (Fig. 13)
- 2d The crossbow is OFF SAFE and ready to FIRE when the safety switch is moved all the way forward under the RED dot ("FIRE").
IMPORTANT: After the crossbow is cocked, the user should **ONLY** move the safety switch from the "ON SAFE" position to the "FIRE" position if an arrow/bolt is loaded.

Section 5: Using Your Sniper XT390

WARNING: YOUR CROSSBOW FUNCTIONS BEST WHEN USING THE ROPE COCKING DEVICE DESIGNED FOR YOUR CROSSBOW. USE OF OTHER ROPE COCKERS WITH DIFFERENT ROPE LENGTHS AND HOOK DESIGN MAY BE UNSAFE TO THE USER AND MAY DAMAGE YOUR CROSSBOW.

CAUTION:

- DO NOT COCK OR LOAD THE CROSSBOW UNLESS IN A SAFE AREA AND IN A POSITION TO LOAD AND SHOOT SAFELY.
- BE SURE TO APPLY THE RAIL LUBE TO THE RAIL. APPLY STRING AND CABLE WAX TO THE NON-SERVED AREAS OF THE STRING AND CABLES BEFORE COCKING. **REMEMBER:** TO COCK THE CROSSBOW, THE SAFETY MUST BE IN THE "FIRE" POSITION. AS YOU COCK THE CROSSBOW THE SAFETY WILL ENGAGE TO THE "ON SAFE" POSITION.

1 If the Safety is ON SAFE:

- 1a Push and Hold the Cocking Preparation Switch (Part 21) forward. (Fig. 14)
- 1b While holding the Cocking Preparation Switch forward, slide the safety switch from the ON SAFE position to the FIRE position. (Fig. 14)
- 1c Release the Cocking Preparation Switch once the safety switch is in the FIRE position. (Fig. 14)

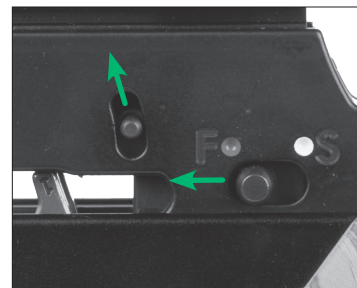


FIGURE 14

Section 5: Using Your Sniper XT390 (continued)

1d Place the foot stirrup (Part 7) on the ground and place a foot securely inside. (Fig. 17)

1e Place the center of the cocking rope in the rope groove. (Fig. 16)

1f Place the hooks of the cocking rope onto the crossbow string on each side of the flight rail. (Fig. 15)

1g Pull both t-handles simultaneously, smoothly drawing the crossbow string back under the ball bearing retention spring and into the string opening of the trigger mechanism. (Tension will keep the cocking hooks against the rail if done properly. (Fig. 17)

1h Continue drawing until the trigger safety switch moves to the "ON SAFE" position. (Fig. 12)

1i Relax the tension slightly to ensure the trigger latch has fully captured the crossbow string.

NOTE: The main string should click into place and the safety should automatically engage. If the string is being captured by the trigger latch, let go of the string.

1j Once cocked, remove the rope cocker hooks from the crossbow string (Part 3).

1k The crossbow is now cocked and ready for loading an arrow/bolt.

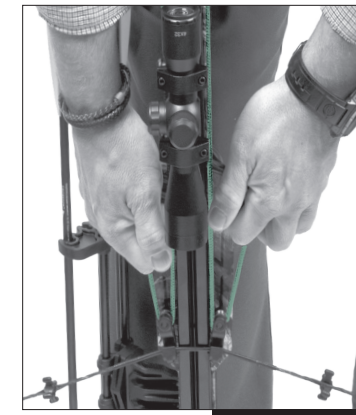


FIGURE 15



FIGURE 16



FIGURE 17

WARNING: DO NOT USE YOUR HAND OR THE ROPE COCKER TO UNCOCK THE CROSSBOW AS IT MAY CAUSE SERIOUS INJURY TO THE USER OR DAMAGE TO THE CROSSBOW.

2 LOADING THE CROSSBOW

2a Verify the crossbow safety is ON SAFE.

2b Point the crossbow in a SAFE DIRECTION.

2c Be sure to use only arrows that are the recommended weight and size. (SEE SPECIFICATION CHART for arrow information)

2d Grip the arrow near its point on the opposite end to the fletching. The crossbow may be loaded by keeping all hands and body parts out of the path of the bowstring and in the safe loading area (Fig. 18). Keep your hands, fingers and all other body parts out of the travel path of the string and cables at all times. The crossbow is designed so that the user never needs to place a body part into the path of the crossbow string. Failure to follow this warning could lead to serious injury or death.

2e Place the arrow so that the cocking vane (the odd colored vane), is down in the flight groove (Fig. 18)

2f Slide the arrow back to the trigger assembly, under the arrow retention spring, until the arrow half moon nocks rests fully on the string. (Fig. 18)

2g After following these steps and reading the entire manual, including the section on reviewing safety procedures, your crossbow is now loaded and ready to fire.



FIGURE 18

WARNING: KEEP THE CROSSBOW IN THE "SAFE" POSITION UNTIL YOU ARE ACTUALLY READY TO SHOOT. THEN PUSH THE SAFETY FORWARD TO THE "FIRE" POSITION.



3 AIMING AND FIRING SAFELY

WARNING: KEEP FINGERS AND THUMB BELOW THE TRAVEL PATH OF THE CROSSBOW STRING AND CABLES. FAILURE TO DO SO COULD RESULT IN SERIOUS INJURY.

3a Aiming the Crossbow

- Always point the crossbow in a SAFE DIRECTION.
- Always keep fingers and thumb below the travel path of the bow string. (Fig. 19)
- Eye Protection should be worn by all participants while shooting. With the crossbow pointed down range, shoulder the crossbow, and place your hand on the stock with your fingers and thumb positioned on the fore grip, below the travel path of the string (Fig. 19)
- Do not shoot at hard surfaces or at the surface of water. The arrow/bolt may bounce off or ricochet and hit someone or something you had not intended to hit.
- Always choose the target carefully.
- THINK** about what you will hit if you miss the target.



FIGURE 19

WARNING: NEVER PLACE ANY PART OF YOUR BODY (INCLUDING HANDS OR FINGERS) INTO THE TRAVEL PATH OF THE CROSSBOW STRING OR CABLES. KEEP YOUR FRONT HAND ON THE FOREARM OF THE STOCK BELOW THE TRAVEL PATH OF THE STRING AND CABLES AT ALL TIMES (SEE FIG. 19). FAILURE TO FOLLOW THIS WARNING COULD LEAD TO SERIOUS INJURY OR DEATH.

3b Sighting in The Crossbow

- The crossbow is equipped with a scope. Follow the instructions included with the scope for sighting and adjusting.

3c Firing

- With the crossbow pointed in a SAFE DIRECTION and hands in the proper position release the safety by pushing the safety all the way forward ("FIRE") (see section 5 Fig. 14).
- Pull the trigger.

3d De-cocking the Crossbow

WARNING: DO NOT USE YOUR HAND OR THE ROPE COCKER TO UNCOCK THE CROSSBOW AS IT MAY CAUSE SERIOUS INJURY TO THE USER OR DAMAGE TO THE CROSSBOW.

- You should not cock or load the crossbow unless you are in a safe area and in a position to shoot safely.
- ALWAYS identify the target and beyond the target prior to shooting.
- If for some reason you must de-cock the crossbow, **DO NOT DRY FIRE IT.** Load an old arrow/bolt and fire into a safe target after following the instructions in this manual. Dry firing can cause serious injury or damage to the crossbow.



FIGURE 20

MAINTAINING THE CROSSBOW

- NEVER DRY FIRE THE CROSSBOW.**
- DO NOT MODIFY OR ALTER THE CROSSBOW.** Attempts to modify the crossbow in any way inconsistent with this manual may render the crossbow unsafe to use, cause serious injury or death, and will void the warranty.
- If you drop the crossbow, check to see that it works properly before you use it again. If anything seems changed, like a shorter or weaker trigger pull, this may mean broken parts.
- Always check the crossbow thoroughly for worn, damaged, loose or missing parts prior to shooting. Call customer service for assistance before using the crossbow again.
- Periodically place a light coat of silicon based lubricant on all metal parts to prevent rust and corrosion.
- We also recommend rail lube (included) to reduce fraying and wear. Apply a small amount of rail lube every 12-15 shots to the rail. DO NOT wax the center section of the crossbow's string because this can cause build up of wax to the trigger mechanism. Keep the flight rail lubed, and the string and cables waxed to reduce friction. Always check and replace frayed or worn strings and cables.
- Change strings when they become worn or frayed. Contact an established archery shop to change the strings. Changing strings requires experience and a bow press which can found at an established archery shop.
- Inspect all arrows/bolts for wear, damage, or nicks before using. If any wear, damage, or nicks are found dispose of the arrows/bolts properly.
- Always store your crossbow in a cool, dry place. Do not expose your crossbow to excessive heat such as leaving it in an automobile trunk on a hot day or storing it next to a furnace vent.

TO REPLACE THE SNIPER XT390 BALL BEARING RETENTION SPRING:

- Contact CenterPoint Customer Service at centerpointarchery.com/contact/ to order the correct parts.
- Remove the 4x32 mm scope (if attached) from the top picatinny rail by loosening the two attachment screws.
- Remove the two rear-most hex screws from the top picatinny rail, as seen in Figure 21.
- Lift the top picatinny rail off of the stock.
- Remove the two remaining forward-most screws from the top of the top picatinny rail, as seen in Figure 21B.
- Remove and replace the retention spring, screwing it and then the top picatinny rail back into place by reversing the above instructions

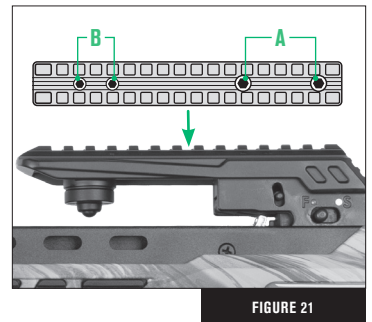


FIGURE 21

SPECIFICATIONS

DRAW WEIGHT	185	TRIGGER	Patented Trigger Technology – Dry Fire Inhibitor
FPS	Up to 390	ARROW SIZE	20" with half moon nock 400 gr or higher finished weight
STOCK	Composite	MASS WEIGHT	7.13 lbs
LIMB	Compression Fiberglass	LENGTH	35.5"
OPTICS	4x32	WIDTH	18" Uncocked / 14" Cocked
RISER	Aluminum	ARROWS	Not Included

LIMITED WARRANTY FOR CENTERPOINT CROSSBOWS

Your CenterPoint® crossbow is warranted to be free of defects in materials and workmanship for 5 years from the date of purchase. This warranty is not transferable and as such is limited to the original owner. This warranty does not cover damages due to fair wear and tear, failure to provide routine maintenance, and does not include cables, strings, or accessories. In the event of a defect under this warranty, CenterPoint Archery will, at our option, repair or replace the product provided our inspection indicates that an original defect exists. CenterPoint reserves the right to replace any product which is no longer available with a product of comparable value and function. If CenterPoint determines the repair is not covered under the warranty guidelines, there could be a charge to you for the repair. This is a limited warranty and does not cover damages caused by dry fire, misuse, improper handling, or installation or maintenance provided by someone other than a CenterPoint Authorized Service Station.

THIS LIMITED WARRANTY DOES NOT INCLUDE CONSEQUENTIAL DAMAGES, INCIDENTAL DAMAGES, OR INCIDENTAL EXPENSES, INCLUDING DAMAGE TO PROPERTY OR ANY OTHER EXPENSE. CENTERPOINT DISCLAIMS ANY IMPLIED WARRANTIES, INCLUDING THE IMPLIED WARRANTIES OF MERCHANTABILITY AND FITNESS. SOME STATES DO NOT ALLOW THE EXCLUSION OR LIMITATION OF INCIDENTAL OR CONSEQUENTIAL DAMAGES, OR ALLOW LIMITATIONS ON IMPLIED WARRANTIES SO THE ABOVE LIMITATIONS OR EXCLUSIONS MAY NOT APPLY TO YOU. TO THE EXTENT ANY PROVISION OF THIS WARRANTY IS PROHIBITED BY FEDERAL, STATE, OR MUNICIPAL LAW, WHICH CANNOT BE PREEMPTED, IT SHALL NOT BE APPLICABLE. THIS WARRANTY GIVES YOU SPECIFIC LEGAL RIGHTS, AND YOU MAY ALSO HAVE OTHER RIGHTS, WHICH VARY FROM STATE TO STATE AND COUNTRY TO COUNTRY.

STOP – BEFORE YOU RETURN THIS PRODUCT TO THE STORE:

Contact our Customer Service representatives for help at (866) 726-1122 or through centerpointarchery.com.

WARRANTY CLAIMS / REPAIR SERVICE

If your product needs repair, DO NOT ATTEMPT TO DISASSEMBLE IT. Any disassembly or modification not performed by a CenterPoint Authorized Service Station will void the warranty.

U.S. Customers: Contact CenterPoint Customer Service through centerpointarchery.com/contact/, or at the below mailing address. We'll let you know where and how to send in your CenterPoint product for repair or replacement under warranty, or refer you to an authorized service center.

CenterPoint Archery
Attn: Warranty Dept.
3535 Tower Ave
Superior, WI 54880

If instructed to ship your CenterPoint product for warranty repair or replacement, please include your product, a copy of your receipt, and a brief written description of the problem you've encountered. Be sure to also include your name, mailing address, email address, and telephone number inside the package.

We strongly recommend insuring your shipment and using a service that provides a tracking number. CenterPoint is not liable for any merchandise damaged, lost, or stolen during shipping to or from CenterPoint.

Please allow from 2 to 4 weeks for warranty repair or replacement.

Canadian Customers: For warranty service, please contact the Gravel Agency in Quebec at (866) 662-4869.

Customers Outside of the U.S. or Canada: For warranty service, please contact the dealer or distributor from whom you purchased your CenterPoint product. If you do not know or cannot contact your dealer or distributor, our International Department may be reached for assistance at (585) 657-6161 or through centerpointarchery.com.



CenterPoint Archery
3535 Tower Ave.
Superior, WI 54880
United States of America
1.866.726.1122
centerpointarchery.com

Made in Taiwan

CENTERPOINT, the CENTERPOINT logo, and SNIPER are trademarks of Crosman Corporation.
CenterPoint is a trademark of Crosman Corporation in the United States. © 2020 Crosman Corporation 11-20 OM



SNIPER® XT390

BALLESTA COMPUESTA

[Manual del usuario](#)



AXCSXT390A515



BIENVENIDO

Nos sentimos honrados de que haya seleccionado la Ballesta Compuesta Sniper XT390. Sea esta ballesta un regalo para usted o una forma de ayudar a dar la bienvenida a los demás al modo de vida de los cazadores, confiamos en que dejará una impresión.

Para su seguridad:

LEA TODO ESTE MANUAL DEL PROPIETARIO ANTES DE USAR SU BALLESTA COMPUESTA SNIPER XT390.

Las ballestas –incluida la Sniper XT390– están diseñadas para cazar y tirar al blanco. Si se usan de forma incorrecta o descuidada, pueden causarles heridas o la muerte a usted y a los que le rodean. Queremos que haga su mejor disparo y sólo su mejor disparo. ¡SEA CUIDADOSO—DISPARE CON SEGURIDAD!

Si esta es su primera ballesta de CenterPoint, quizás le convenga alguna orientación adicional antes del primer amartillado, carga o disparo de su Sniper XT390. Si tiene alguna pregunta o inquietud sobre este producto, su montaje adecuado o uso seguro, no dude en ponerse en contacto con nosotros a través de centerpointarchery.com/contact-support. Nuestros expertos en servicio al cliente están disponibles de lunes a viernes, de 9 AM a 4:30 PM CST y estamos encantados de ayudarle.

BIENVENIDO A LA FAMILIA CENTERPOINT

Usted nació para esto.

⚠️ ADVERTENCIA: SE RECOMIENDA ÚNICAMENTE PARA USO DE ADULTOS. EL USO INCORRECTO O DESCUIDADO PUEDE CAUSAR LESIONES GRAVES O LA MUERTE. LEA TODAS LAS INSTRUCCIONES ANTES DE USARLA. CONSERVE LAS INSTRUCCIONES Y EL MANUAL DE SEGURIDAD PARA CONSULTARLOS MÁS ADELANTE.

⚠️ ADVERTENCIA: CUANDO AMARTILLE UNA BALLESTA, MANTENGA SIEMPRE LAS MANOS, LOS DEDOS Y LOS PULGARES FUERA DE LA TRAYECTORIA DE RECORRIDO DE LA CUERDA DEL ARCO Y LOS CABLES, Y POR DEBAJO DEL RIEL.

⚠️ ADVERTENCIA: EL COMPRADOR Y EL USUARIO TIENEN EL DEBER DE OBEDECER TODAS LAS LEYES ACERCA DEL USO Y PROPIEDAD DE ESTA BALLESTA.

⚠️ ADVERTENCIA: ESTE PRODUCTO PUEDE EXPONERLE A SUSTANCIAS QUÍMICAS, ENTRE ELLAS EL PLOMO, QUE EL ESTADO DE CALIFORNIA HA DETERMINADO QUE OCASIONAN CÁNCER Y DEFECTOS CONGÉNITOS U OTROS DAÑOS REPRODUCTIVOS. PARA OBTENER MÁS INFORMACIÓN, VAYA A WWW.P65WARNINGS.CA.GOV.

Sección 1: Seguro

! No deje de leer esta página. Las siguientes reglas son esenciales para el uso y mantenimiento seguros de la ballesta.

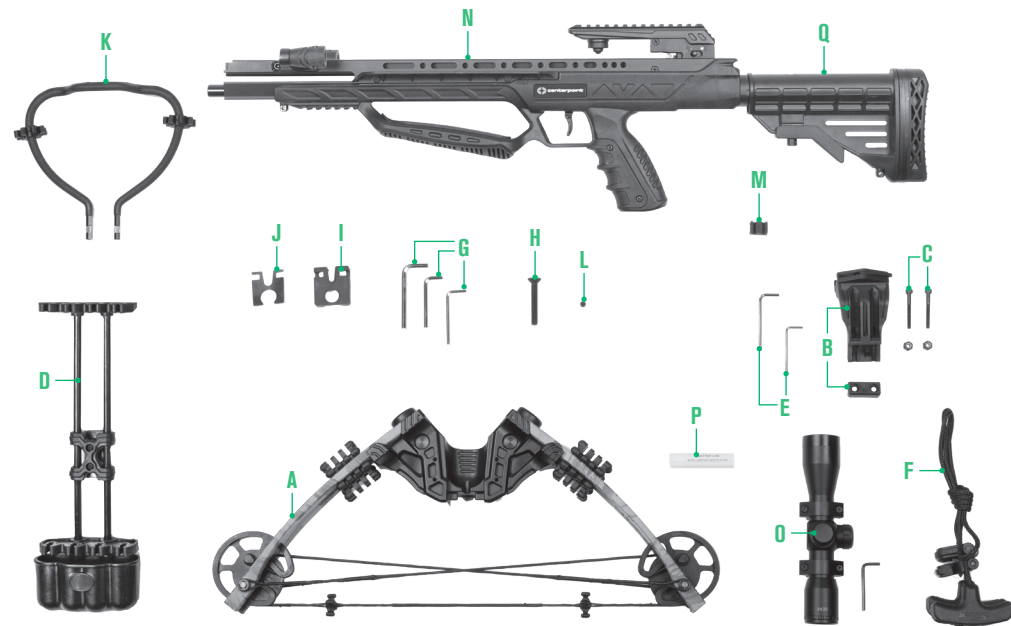
- Trate SIEMPRE a la ballesta como si estuviera cargada y lista para disparar.
- Trate SIEMPRE a la ballesta con el mismo respeto que le tendría a un arma de fuego.
- Guarde SIEMPRE la ballesta descargada y lejos de los niños.
- Asegúrese SIEMPRE de que esta ballesta esté descargada y que su interruptor del seguro esté ajustado en SAFE (seguro activado) antes de transferirla hacia o desde otra persona, o sacarla del almacenamiento.
- Mantenga SIEMPRE el interruptor del seguro de esta ballesta en SAFE (seguro activado) hasta que esté listo para disparar.
- Asegúrese SIEMPRE de su blanco y lo que está potencialmente detrás de su blanco.
- Compruebe SIEMPRE el desgaste de su respaldo de arquería antes y después de cada uso. Todos los respaldos de blancos están sujetos a desgaste y con el tiempo fallarán. Reemplace el respaldo de su blanco si la superficie está desgastada o dañada.
- Antes de disparar, revise SIEMPRE la ballesta minuciosamente en busca de piezas desgastadas, dañadas, sueltas o faltantes.
- Antes de disparar, revise SIEMPRE cuidadosamente su dispositivo de amartillado de sogas, en busca de piezas desgastadas, dañadas, sueltas o faltantes.
- Inspeccione SIEMPRE sus flechas con regularidad. Disparar una flecha dañada puede causarles lesiones graves a usted o a las personas cercanas. Cualquier flecha mellada, abollada, partida o astillada debe desecharse inmediatamente.
- Mantenga SIEMPRE las manos, los dedos y los pulgares fuera de la trayectoria de recorrido de la cuerda del arco y los cables, y por debajo del riel cuando se amartille una ballesta.
- Antes de disparar, asegúrese SIEMPRE de que las palas de la ballesta no puedan golpear a ningún obstáculo. Disparar permitirá que las palas se descompriman con una fuerza drástica. Si hacerlo provoca que las palas de la ballesta golpeen un obstáculo, la ballesta y el obstáculo pueden sufrir daños significativos.
- Use SIEMPRE gafas de seguridad cuando utilice cualquier tipo de arco.
- NUNCA utilice esta ballesta con un blanco que no esté diseñado para su uso con una ballesta. Las flechas disparadas desde esta ballesta pueden penetrar fácilmente blancos inferiores y respaldos desgastados.
- NUNCA amartille ni cargue la ballesta sino hasta que esté listo para disparar.
- NUNCA apunte la ballesta a ninguna persona o cosa a las que no tenga intención de dispararles.
- NUNCA confíe en el seguro automático de esta ballesta o en cualquier otro dispositivo mecánico como reemplazo para las prácticas de manipulación segura.
- NUNCA coloque el dedo en el gatillo o dentro del guardamonte sino hasta que esté listo para disparar.
- NUNCA dispare la ballesta en seco. Disparar sin una flecha dañará su ballesta y podría herirle.
- NUNCA dispare una flecha, dardo o proyectil con esta ballesta excepto los recomendados por CenterPoint para su uso con la ballesta compuesta Sniper XT390. Disparar proyectiles no recomendados podría dar como resultado lesiones o que se dañe la ballesta. En una ballesta compuesta Sniper XT390, cargue ÚNICAMENTE flechas de 20" con culatín de media luna y con un peso acabado de 400 granos o más.
- NUNCA amartille su ballesta más allá de su golpe de potencia máximo o puede dañar sus palas, los cables o la cuerda de arco.
- NUNCA use la mano, el amartillador de cuerda o el dispositivo tensor de manivela aprobado para desamartillar esta ballesta, ya que puede causarles lesiones graves a usted o dañar la ballesta.
- NUNCA intente desmontar o manipular esta ballesta, ya que se requieren herramientas especiales. Póngase en comunicación con una tienda de arquería para obtener ayuda. Intentar modificar esta ballesta de cualquier manera que no esté descrita en este Manual del Propietario puede hacer que sea insegura y anulará la garantía.

Sección 2: Conozca la Sniper XT390

LISTA DE PIEZAS

Compruebe que todas las piezas estén presentes antes de intentar el ensamblado.

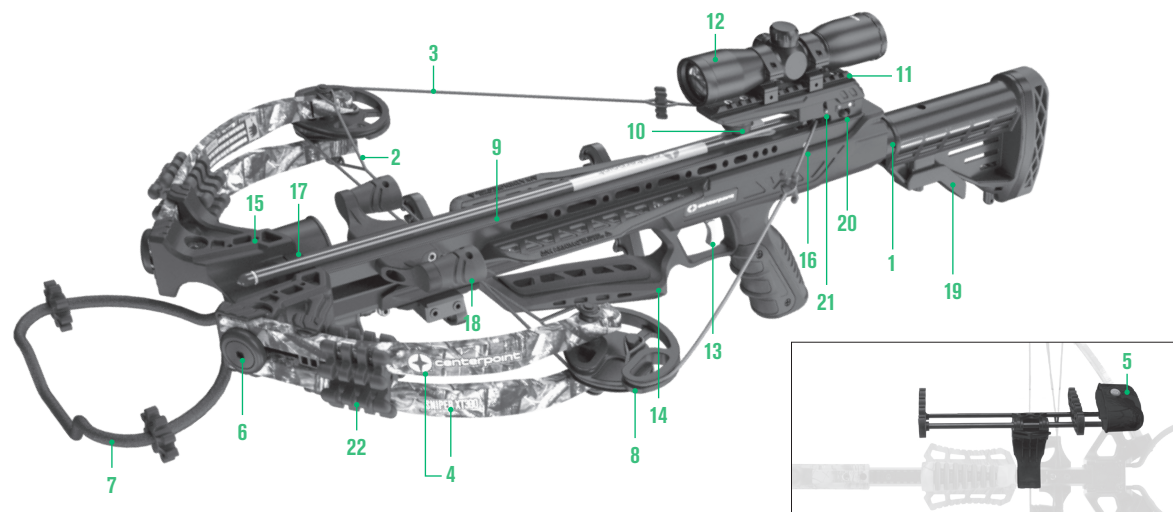
- | | | | |
|--|---|--|--|
| A. Conjunto de palas y mango (con cuerdas y cables) | E. Llaves hexagonales del carcaj (2) | J. Almohadilla de la cubierta de la articulación | O. Mira y anillos 4x32 |
| B. Montura del carcaj | F. Amartillador de cuerda | K. Estribo de pie | P. Lubricante de carriles/cera para la cuerda |
| C. Tornillos de la montura del carcaj (2) | G. Llaves hexagonales de ensamblado | L. Tornillo bloqueante del perno del mango | Q. Culata |
| D. Carcaj | H. Perno elevador | M. Deslizador de cable | |
| | I. Cubierta de la articulación | N. Cuerpo principal de la ballesta (culata/cañón) | |



LAS PARTES DE UNA BALLESTA SNIPER XT390

Familiarizarse con la terminología utilizada para describir las partes de una ballesta le ayudará durante el ensamblado. Este esquema muestra una ballesta compuesta Sniper XT390 completamente montada, amartillada y cargada.

- | | | | |
|-------------------------------|---|--------------------------------------|--|
| 1. Culata | 7. Estribo de pie | 13. Gatillo | 19. Culata ajustable |
| 2. Cables | 8. Leva | 14. Empuñadura delantera | 20. Interruptor seguridad |
| 3. Cadena | 9. Carril | 15. Mango del arco | 21. Interruptor de preparación de amartillado |
| 4. Pala abierta | 10. Muelle de retención de los rodamientos | 16. (Centro) Forro | 22. Amortiguadores de palas |
| 5. Carcaj | 11. Puente de mira | 17. Ranura de vuelo | |
| 6. Bolsillo de la pala | 12. Mira | 18. Amortiguador de la cuerda | |



Sección 3: Montaje de su Sniper XT390

Visite centerpointarchery.com/sniper-xt390#dm para encontrar un vídeo útil que le guiará a través del ensamblado de la Sniper XT390, paso a paso.

Le llevará unos 30 minutos montar correctamente su ballesta compuesta Sniper XT390. Más allá de los materiales y herramientas suministrados, también necesitará un destornillador de cabeza plana. Siga en orden los pasos que aparecen a continuación:

1. ENSAMBLAR LA BALLESTA

1 Instalación del elevador

- 1a** Fije el deslizador en los cables. El deslizador de los cables tiene un espacio más grande de un lado para deslizarse correctamente sobre el riel. (Fig. 3)
- 1b** Deslice el deslizador del cable en la abertura al extremo del carril mientras desliza la cuerda hacia abajo por la parte superior del mismo. (Fig. 4)
- 1c** Deslice la tapa conjunta sobre el carril. Deslice la cubierta de la articulación sobre el cañón. (Fig. 4)
- 1d** Deslice el elevador sobre el carril. Instale y apriete el perno elevador con la llave hexagonal. Inserte el tornillo de fijación del perno elevador para evitar que dicho perno se afloje. Apriételo con la llave hexagonal. (Fig. 5 y 6)

2 Introducir el estribo

- 2a** Introduzca el estribo en el mango alineando las ranuras de retención con los orificios de los tornillos de fijación apretando los 2 tornillos con la llave hexagonal (Fig. 7 & 8)
- IMPORTANTE:** Asegúrese de que la unidad del arco esté asegurada firmemente antes de acoplar la ballesta. Es posible que tengan que volver a apretarse los pernos de montaje periódicamente después del uso.

3 Montaje de la aljaba

- 3a** The Sniper XT390 viene con un montaje de aljaba paralelo. Puede montarse al lado izquierdo o derecho de la ballesta.
- 3b** Afloje los tornillos del soporte de montaje y fijela en el riel picatinny bajo el cañón, frente al guardamano.
- 3c** Fije la montura de desconexión rápida de la aljaba en el extremo de la abrazadera de montaje (Fig. 9).
- 3d** Conecte la aljaba a su montura deslizando las dos monturas para unir las y bloqueándolas en su sitio con la palanca de bloqueo.
- 3e** Asegúrese de que la aljaba esté bloqueada y fija.

4 Instalar la mira

- 4a** Posicione la mira moviéndola hacia delante o hacia atrás hasta encontrar el espacio adecuado para el ojo. Esto es habitualmente tres o cuatro pulgadas del ojo al ocular cuando sostiene la ballesta en posición de tiro. (Fig. 10)
- 4b** Alinee la montura de la mira con las ranuras del puente de la mira.
- 4c** Alinee los tornillos con las ranuras del riel y apriete las cabezas de los tornillos con un destornillador (no incluido). (Fig. 10)
- 4d** Instale los anillos de montaje de la mira usando los tornillos correspondientes (4) (Fig. 10)

5 Ajuste de la longitud de la culata

- 5a** Oprima la palanca de la parte inferior de la culata. (Fig. 11)
- 5b** Deslice la culata de 0 a 5 para alargar o acortar su posición.
- 5c** Libere la palanca para bloquearla en su sitio.

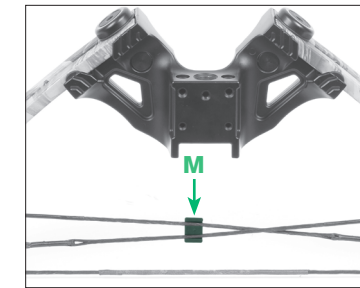


FIGURE 3

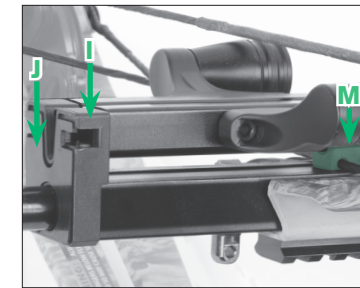


FIGURE 4



FIGURE 5

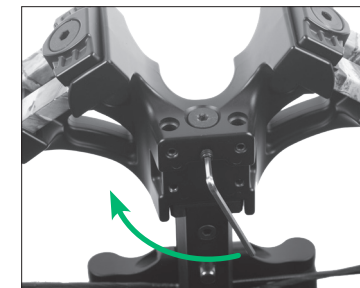


FIGURE 6

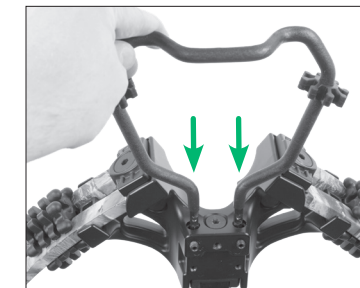


FIGURE 7

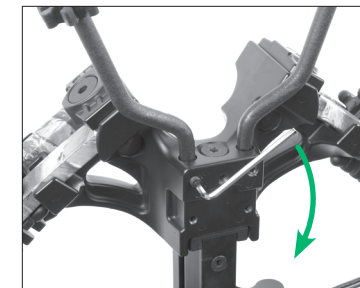


FIGURE 8

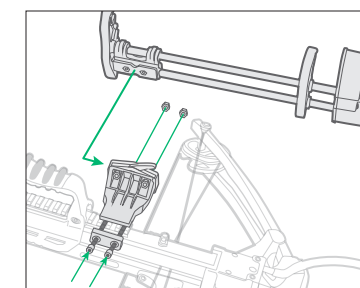


FIGURE 9

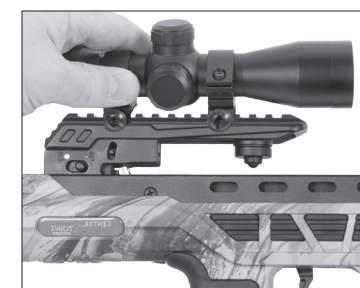


FIGURE 10

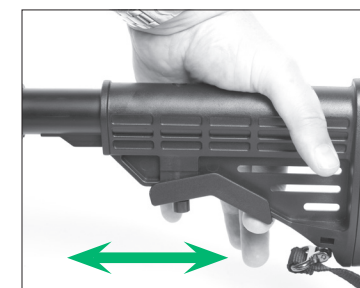


FIGURE 11



Sección 4: Accionamiento Del Seguro

PRECAUCIÓN: NUNCA CONFÍE EN UN DISPOSITIVO MECÁNICO PARA SUSTITUIR LAS PRÁCTICAS DE MANIPULACIÓN SEGURA. SIEMPRE MANIPULE LA BALLESTA COMO SI NO ESTUVIERA EN POSICIÓN DE SEGURO (“ON SAFE”), COMO TODOS LOS DISPOSITIVOS MECÁNICOS, EL SEGURO DE UNA BALLESTA PUEDE FALLAR. INCLUSO CON EL SEGURO PUESTO (“ON SAFE”), DEBE SEGUIR MANIPULANDO LA BALLESTA DE MODO SEGURO.

1 Para poner el seguro de la ballesta (“SAFE”)

NOTA: El seguro se activa automáticamente y el interruptor del seguro se desplaza a la posición de activado (“ON SAFE”) cuando la ballesta se amartilla de modo normal (véase la sección 6 AMARTILLAR LA BALLESTA)

1a Asegúrese de que la ballesta esté apuntada en una DIRECCIÓN SEGURA.

1b Deslice el interruptor del seguro de la posición de fuego (“FIRE”) a la posición de activado (“ON SAFE”). (Fig. 12)

1c La ballesta tendrá el seguro activado (“ON SAFE”) cuando el interruptor del seguro se haya desplazado completamente hacia atrás bajo el punto BLANCO.

1d Inspeccione cuidadosamente el interruptor de seguridad para asegurarse de que esté completamente en la posición de seguro (“ON SAFE”) (Fig. 12). Si el interruptor del seguro no se ha movido completamente de vuelta al punto BLANCO, no se ha colocado en posición de seguro (“ON SAFE”) y sigue en posición de fuego (“FIRE”). Inspeccione siempre visualmente el interruptor de seguridad a fin de cerciorarse de que esté en la posición deseada.

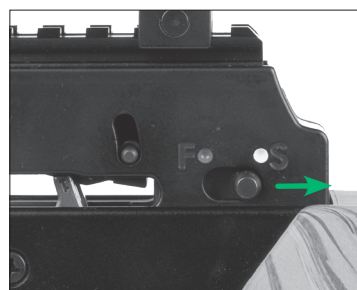


FIGURE 12

ADVERTENCIA: SI POR ALGÚN MOTIVO EL INTERRUPTOR DEL SEGURO NO SE MUEVE COMPLETAMENTE A LA POSICIÓN DE SEGURO (“ON SAFE”) (FIG. 12), DESAMARTILLE DE FORMA SEGURA EL ARCO USANDO UNA FLECHA COMO SE DESCRIBE EN LA SECCIÓN 9. NO UTILICE LA BALLESTA. LLAME A SERVICIO AL CLIENTE AL 1-866-726-1122 PARA OBTENER UNA REPARACIÓN AUTORIZADA.

2 Para quitar el seguro de la ballesta (“FIRE”)

NOTA: Si intenta amartillar la ballesta y el interruptor de seguridad está activado (“ON SAFE”), tendrá que utilizar el interruptor de preparación de amartillado para pasar el interruptor de seguridad de la posición de seguro (“ON SAFE”) a la posición de fuego (“FIRE”) a fin de que la ballesta acepte la cuerda al amartillarse. Siga las instrucciones de amartillado y carga de la ballesta (vea las secciones 6 y 7).

PRECAUCIÓN:

- SÓLO DEBE UTILIZAR EL INTERRUPTOR DE PREPARACIÓN (FIG. 2 #22) DE AMARTILLADO DURANTE EL PROCEDIMIENTO NORMAL DE AMARTILLADO PARA PASAR EL INTERRUPTOR DEL SEGURO DE LA POSICIÓN ACTIVADA (“ON SAFE”) A LA POSICIÓN DE FUEGO (“FIRE”) (VEA LA SECCIÓN 6 - AMARTILLAR LA BALLESTA).
- NO UTILICE EL INTERRUPTOR DE PREPARACIÓN DE AMARTILLADO DESPUÉS DE QUE ESTÉ AMARTILLADA LA BALLESTA. EL USO DEL INTERRUPTOR DE PREPARACIÓN DE AMARTILLADO MIENTRAS QUE LA BALLESTA ESTÁ EN POSICIÓN DE AMARTILLADO, DESACTIVARÁ EL MECANISMO CONTRA DISPARO EN SECO.

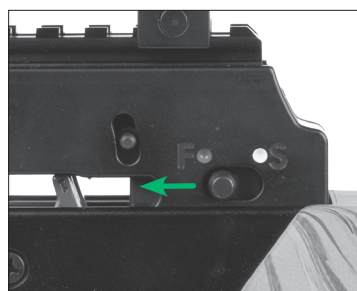


FIGURE 13

2a Asegúrese de que la ballesta esté apuntada en una DIRECCIÓN SEGURA.

2b Encuentre el interruptor del seguro a un lado de la culata.

2c Deslice el interruptor del seguro de la posición de activado (“ON SAFE”) a la posición de fuego (“FIRE”). (Fig. 13)

2d La ballesta tendrá el seguro desactivado (“OFF SAFE”) y estará lista para hacer fuego (“FIRE”) cuando el interruptor del seguro se haya desplazado completamente hacia delante bajo el punto ROJO (“FUEGO”).

IMPORTANTE: Después de que la ballesta esté amartillada, el usuario **SÓLO** debe pasar el interruptor de seguridad de la posición de activado (“ON SAFE”) a la posición de fuego (“FIRE”) si está cargada una flecha o saeta.

Sección 5: Uso de su Sniper XT390

ADVERTENCIA: SU BALLESTA FUNCIONA MEJOR CUANDO SE UTILIZA EL DISPOSITIVO DE AMARTILLADO CON CABLE DISEÑADO PARA ELLA. EL USO DE OTROS DISPOSITIVOS DE AMARTILLADO CON CABLE QUE TENGAN LONGITUDES DE CABLE Y CONFIGURACIÓN DE GANCHO DIFERENTES PUEDE NO SER SEGURA PARA EL USUARIO Y DAÑAR SU BALLESTA.

PRECAUCIÓN:

- NO AMARTILLE NI CARGUE LA BALLESTA A MENOS QUE ESTÉ EN UNA ZONA SEGURA Y EN POSICIÓN PARA DISPARAR CON SEGURIDAD.
- ASEGÚRESE DE APLICAR EL LUBRICANTE DE CARRILES EN EL CAÑÓN. APLIQUE CERA PARA CUERDAS Y CABLES EN LAS ÁREAS SIN SOBRELADO DE LA CUERDA Y CABLES ANTES DE AMARTILLAR. **RECUERDE:** PARA AMARTILLAR LA BALLESTA, EL SEGURO DEBE ESTAR EN POSICIÓN DE DESACTIVADO (“FIRE”). AL AMARTILLAR LA BALLESTA, EL SEGURO SE ENGANCHARÁ EN POSICIÓN DE ACTIVADO (“ON SAFE”).

1 Si el seguro está activado (“ON SAFE”):

1a Presione hacia delante y mantenga así el interruptor de preparación de amartillado. (Fig. 14)

1b Mientras sostiene hacia delante el interruptor de preparación de amartillado, deslice el interruptor de seguridad de la posición de activado (“ON SAFE”) a la de fuego

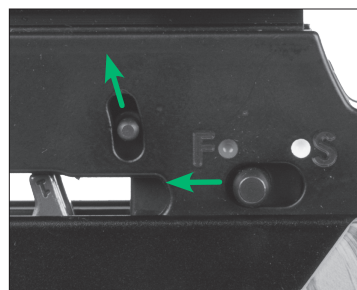


FIGURE 14

Sección 5: Uso de su Sniper XT390 (continuación)

(“FIRE”) (Fig. 14).

1c Suelte el interruptor de preparación de amartillado una vez que el interruptor de seguridad está en la posición de fuego (“FIRE”). (Fig. 14)

1d Coloque el estribo de amartillado en el suelo y ponga un pie firmemente en su interior. (Fig. 15)

1e Coloque el centro de la cuerda de amartillado en la ranura de la cuerda. (Fig. 16)

1f Coloque los ganchos de la cuerda de amartillado en la cuerda de la ballesta a ambos lados del riel de vuelo. (Fig. 15)

1g Tire simultáneamente de ambos mangos en T, atrayendo suavemente la cuerda de la ballesta abajo del muelle de retención de la saeta y hacia la apertura de la cuerda del mecanismo del gatillo. (La tensión conservará los ganchos de amartillado contra el riel si se hace correctamente). (Fig. 17)

1h Siga tirando hasta que el seguro del gatillo se mueva a la posición de activado (“ON SAFE”). (Fig. 13)

1i Relaje la tensión ligeramente para garantizar que el pestillo del gatillo ha capturado completamente la cuerda de la ballesta.

NOTA: la cuerda principal debe hacer clic en su lugar y el seguro debe engancharse automáticamente. Si la cuerda ha sido capturada por el pestillo del gatillo, suéltela.

1j Una vez amartillado, quite los ganchos del amartillador de la cuerda de la ballesta

1k La ballesta está ahora amartillada y lista para cargar una flecha o saeta.

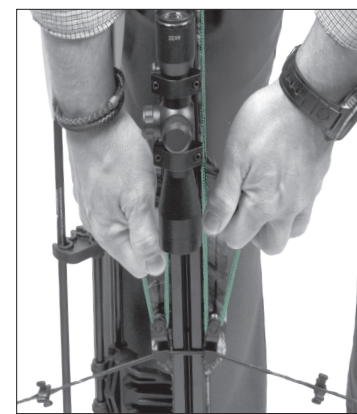


FIGURE 15



FIGURE 16

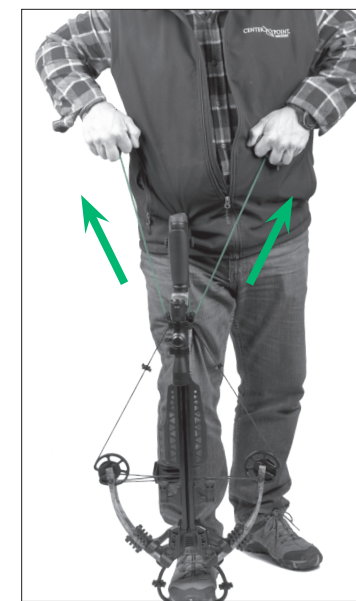


FIGURE 17

ADVERTENCIA: NO USE LA MANO O EL AMARTILLADOR DE CUERDA PARA DESAMARTILLAR LA BALLESTA, YA QUE PUEDE CAUSAR LESIONES GRAVES AL USUARIO O DAÑOS A LA BALLESTA.

2 CARGA DE LA BALLESTA

2a Asegúrese de que el seguro de la ballesta esté en la posición activada (“SAFE”)

2b Apunte la ballesta en una DIRECCIÓN SEGURA.

2c Asegúrese de usar sólo flechas y saetas que sean del tamaño y peso recomendados. (Tabla de especificaciones para la información de las flechas o saetas).

2d Agarre la flecha cerca de su punta en el extremo opuesto del emplumado. La ballesta puede cargarse manteniendo las manos y todas las partes del cuerpo fuera del trayecto de la cuerda del arco y en el área de carga segura (Fig. 18). Mantenga en todo momento las manos, los dedos y todas las demás partes del cuerpo fuera del trayecto del recorrido de la cuerda y los cables. La ballesta está diseñada de modo que el usuario nunca necesite colocar una parte del cuerpo en el camino de la cuerda de la ballesta. No respetar esta advertencia puede ocasionar lesiones graves o la muerte.

2e Coloque la flecha o saeta de modo tal que la pluma remera (la de color distinto), quede abajo en la ranura de vuelo (Fig. 18)

2f Deslice la flecha o saeta hacia atrás hacia el conjunto del gatillo, debajo del muelle de retención de la flecha o saeta, hasta que el culatín de la flecha o saeta descansa completamente en la cuerda. (Fig. 18)

2g Después de seguir estos pasos y leer todo el manual, incluida la sección sobre revisión de los procedimientos de seguridad, su ballesta está ahora cargada y lista para disparar.

ADVERTENCIA: MANTENGA LA BALLESTA CON EL SEGURO PUESTO (POSICIÓN “SAFE”) HASTA QUE ESTÉ EFECTIVAMENTE LISTO PARA DISPARAR. ENTONCES EMPUJE EL SEGURO HACIA ADELANTE A LA POSICIÓN DE “FIRE”.

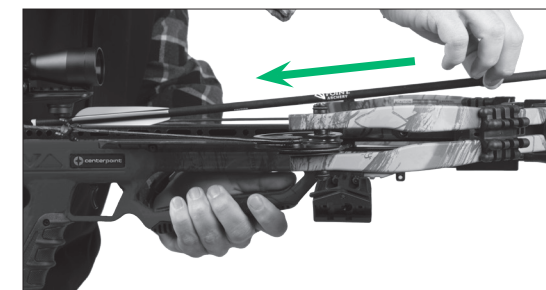


FIGURE 18



Sección 5: Uso de su Sniper XT390 (continuación)

3 APUNTAR Y DISPARAR CON SEGURIDAD

ADVERTENCIA: MANTENGA LOS DEDOS Y EL PULGAR DEBAJO DE LA RUTA DEL RECORRIDO DE LA CUERDA Y CABLES DEL ARCO. NO HACERLO PUEDE DAR COMO RESULTADO LESIONES GRAVES.

3a Apuntar la ballesta

- Siempre apunte la ballesta en una DIRECCIÓN SEGURA.
- Mantenga siempre los dedos por debajo de la ruta del recorrido de la cuerda del arco. (Fig. 19)
- Todos los participantes deben usar protección ocular cuando estén tirando. Con la ballesta apuntada hacia el campo de tiro, colóquesela en el hombro y ponga la mano en la culata con los dedos colocados en la empuñadura delantera, debajo de la ruta del recorrido de la cuerda. (Fig. 19)
- No dispare contra superficies duras o a la superficie del agua. la flecha o saeta pueden rebotar y golpear a alguien o algo a los que usted no tuviera intención de dispararles.
- Siempre elija cuidadosamente su blanco.
- PIENSE** sobre lo que puede golpear si falla el blanco.



FIGURE 19

ADVERTENCIA: NUNCA COLOQUE PARTE ALGUNA DEL CUERPO (INCLUIDAS LAS MANOS O LOS DEDOS) EN EL TRAYECTO DEL RECORRIDO DE LA CUERDA O LOS CABLES DE LA BALLESTA. MANTENGA LA MANO DELANTERA EN TODO MOMENTO EN EL GUARDAMANO DE LA CULATA POR DEBAJO DEL RECORRIDO DE LA CUERDA Y LOS CABLES (VEA LA FIG. 19). NO RESPETAR ESTA ADVERTENCIA PUEDE OCASIONAR LESIONES GRAVES O LA MUERTE.

3b Puesta a tiro de la ballesta

- La ballesta está equipada con una mira. Siga las instrucciones incluidas en la mira para ponerla a tiro y ajustarla.

3c Disparo

- Con la ballesta apuntada en una DIRECCIÓN SEGURA y las manos en la posición correcta, libere el seguro empujándolo completamente hacia adelante ("FIRE") (vea la sección 5B).
- Tire del gatillo.

3d Desamartillar la ballesta

ADVERTENCIA: NO USE LA MANO O EL AMARTILLADOR DE CUERDA PARA DESAMARTILLAR LA BALLESTA, YA QUE PUEDE CAUSAR LESIONES GRAVES AL USUARIO O DAÑOS A LA BALLESTA.

- No debe amartillar o cargar la ballesta a menos que esté en una zona segura y en posición para disparar con seguridad.
- SIEMPRE** identifique el objetivo y lo que hay más allá antes de disparar.
- Si, por alguna razón, debe desamartillar la ballesta, **NO LA DISPARE EN SECO**. Cargue una flecha o saeta vieja y dispárela a un blanco seguro después de seguir las instrucciones de este manual. Disparar en seco puede causar lesiones graves o dañar la ballesta.



FIGURE 20

Sección 6: Mantenimiento de su Sniper XT390

NUNCA DISPARE LA BALLESTA EN SECO.

- NO MODIFIQUE NI ALTERE LA BALLESTA.** Los intentos de modificar la ballesta de cualquier forma que sea contraria a este manual pueden hacer que su ballesta sea insegura para usarse, causar lesiones graves o la muerte, y anularán la garantía.
- Si deja caer su ballesta, compruebe que funciona correctamente antes de utilizarla nuevamente. Si cualquier cosa parece haber cambiado, como un recorrido de gatillo más corto o más débil, puede significar que hay piezas rotas.
- Antes de disparar, revise siempre la ballesta minuciosamente en busca de piezas desgastadas, dañadas, sueltas o faltantes. Llame a Servicio al Cliente para obtener ayuda antes de usar nuevamente la ballesta.
- Aplique periódicamente una ligera capa de lubricante de base de silicona en todas las piezas metálicas para evitar la oxidación y la corrosión.
- También recomendamos lubricante para rieles (incluido) a fin de reducir el deshilachado y el desgaste. Aplique una pequeña cantidad de lubricante en el riel cada 12-15 tiros. NO encere la sección central de la cuerda de la ballesta, ya que esto puede causar una acumulación de cera en el mecanismo del gatillo. Mantenga lubricado el carril de vuelo y la cuerda y cables encerados a fin de reducir la fricción. Siempre compruebe y reemplace los cables y cuerdas deshilachados o desgastados.
- Cambie las cuerdas cuando se desgasten o deshilachen. Póngase en contacto con un taller de tiro con arco reconocido para cambiar las cuerdas. Cambiar las cuerdas requiere experiencia y una prensa de arcos que puede encontrarse en una tienda de arquería reconocida.
- Inspeccione todas las saetas o flechas para determinar que no tengan desgaste, daños o melladuras antes de usarlas. Si se encuentra cualquier daño por desgaste o melladura, deshágase de las saetas correctamente.
- Guarde siempre su ballesta en un lugar fresco y seco. No exponga la ballesta a un calor excesivo como ocurriría si la deja en el maletero de un automóvil en un día caluroso o la guarda junto al respiradero de un horno.

PARA REEMPLAZAR EL RESORTE DE RETENCIÓN DEL RODAMIENTO DE SNIPER XT390:

- Póngase en contacto con el servicio de atención al cliente de CenterPoint en centerpointarchery.com/contact/ a fin de solicitar las piezas correctas.
- Quite la mira de 4x32 mm (si está instalada) del riel picatinny superior aflojando los dos tornillos de fijación.
- Quite los dos tornillos hexagonales traseros del riel picatinny superior, como se ve en la Figura 21A.
- Levante de la culata el riel picatinny superior.
- Quite los dos tornillos hexagonales delanteros de la parte superior del riel picatinny superior, como se ve en la Figura 21B.
- Quite y reemplace el muelle de retención, atornillándolo, y luego el riel picatinny superior de nuevo en su lugar invirtiendo las instrucciones anteriores.

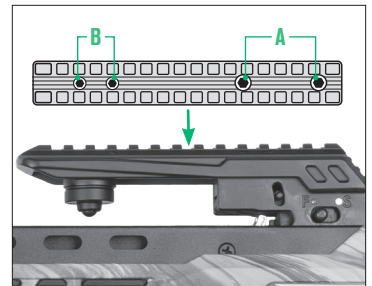


FIGURE 21



ESPECIFICACIONES

PESO DE TENSIÓN	185	GATILLO	Tecnología patentada de gatillo – Inhibidor de disparo en seco
FPS	Hasta 390	TAMAÑO DE LA FLECHA	20" con culatín de media luna de 400 gr o peso acabado mayor
CULATA	Composite	PESO EN MASA	7,13 lbs
PALA	Fibra de vidrio de compresión	LONGITUD	35,5"
ÓPTICA	4x32	ANCHURA	18" desamartillada/14" amartillada
MANGO DEL ARCO	Aluminio	FLECHAS	No incluido

GARANTÍA LIMITADA PARA LAS BALLESTAS CENTERPOINT

Su ballesta CenterPoint® está garantizada contra defectos de materiales y mano de obra durante 5 años desde la fecha de la compra. Esta garantía no es transferible y como tal está limitada al comprador original. Esta garantía no cubre daños debidos al desgaste normal o a no hacer el mantenimiento de rutina, y no incluye cuerdas, cables o accesorios. En caso de un defecto de conformidad con esta garantía, a nuestra elección repararemos o reemplazaremos el producto siempre que nuestra inspección indique que existe un defecto original. CenterPoint se reserva el derecho de reemplazar cualquier producto que ya no esté disponible con un producto de valor y función comparables. Si CenterPoint determina que la reparación no está cubierta por las directrices de la garantía, podría haber un cargo para usted por la reparación. Ésta es una garantía limitada y no cubre los daños causados por disparos en seco, mal uso o manejo inadecuado, o una instalación o mantenimiento indebidos proporcionados por alguien que no sea una estación de servicio autorizada de CenterPoint.

ESTA GARANTÍA LIMITADA NO INCLUYE DAÑOS Y PERJUICIOS CONSECUENCIALES O INCIDENTALES, O GASTOS INCIDENTALES, INCLUIDOS LOS DAÑOS Y PERJUICIOS MATERIALES O CUALQUIER OTRO GASTO. CENTERPOINT DESCONOCE CUALQUIER GARANTÍA IMPLÍCITA, INCLUIDAS LAS GARANTÍAS IMPLÍCITAS DE COMERCIABILIDAD E IDONEIDAD. ALGUNOS ESTADOS NO PERMITEN LA EXCLUSIÓN O LIMITACIÓN DE DAÑOS INCIDENTALES O CONSECUENCIALES, O NO PERMITEN LIMITACIONES SOBRE LAS GARANTÍAS IMPLÍCITAS, DE MODO QUE LAS LIMITACIONES O EXCLUSIONES ARRIBA INDICADAS PODRÍAN NO APLICARSE A USTED. EN LA MEDIDA EN QUE CUALQUIER DISPOSICIÓN DE ESTA GARANTÍA ESTÉ PROHIBIDA POR LAS LEYES FEDERALES, ESTATALES O MUNICIPALES, QUE NO PUEDAN EVITARSE, NO SERÁ APLICABLE. ESTA GARANTÍA LE OTORGA DERECHOS LEGALES CONCRETOS Y ES POSIBLE QUE TENGA TAMBIÉN OTROS DERECHOS QUE VARIAN SEGÚN EL ESTADO Y EL PAÍS.

ALTO – ANTES DE DEVOLVER ESTE PRODUCTO A LA TIENDA:

Póngase en comunicación con nuestros representantes de Servicio al Cliente para obtener ayuda al (866) 726-1122 o a través de centerpointarchery.com.

RECLAMACIONES DE GARANTÍA Y SERVICIO DE REPARACIONES

Si su producto necesita una reparación, ¡NO INTENTE DESMONTARLO! Cualquier desmontaje o modificación no realizados por una estación de servicio autorizada de CenterPoint anularán la garantía.

Cientes de los EE.UU.: Comuníquese con servicio al cliente de CenterPoint a través de centerpointarchery.com/contact o en la dirección postal abajo indicada. Le diremos dónde y cómo enviar su producto de CenterPoint para su reparación o reemplazo bajo la garantía, o se le remitirá a un centro de servicio autorizado.

CenterPoint Archery

Atn: Depto. de Garantía
3535 Tower Ave
Superior, WI 54880

Si se le indica que envíe su producto CenterPoint para reparación o reemplazo de acuerdo con la garantía, incluya su producto, una copia de su recibo y una breve descripción por escrito del problema que ha encontrado. Asegúrese de indicar también su nombre, dirección postal, dirección de correo electrónico y número de teléfono dentro del paquete.

Recomendamos encarecidamente que asegure su envío y que utilice un servicio que proporcione un número de seguimiento. CenterPoint no es responsable de ninguna mercancía dañada, perdida o robada durante el transporte desde o hacia CenterPoint.

Espere de 2 a 4 semanas para la reparación o reemplazo de conformidad con la garantía.

Cientes canadienses: Para obtener servicio por garantía, comuníquese con la Gravel Agency en Quebec al (866) 662-4869.

Cientes fuera de los EE. UU. o Canadá: Para obtener servicio por garantía, póngase en comunicación con el concesionario o distribuidor al que compró su producto CenterPoint. Si no sabe quién es su concesionario o distribuidor, o no puede ponerse en contacto con él o ella, se puede comunicar con nuestro Departamento Internacional para obtener ayuda al (585) 657-6161 o a través de centerpointarchery.com.

CenterPoint Archery

3535 Tower Ave.
Superior, WI 54880
Estados Unidos de América
1.866.726.1122
centerpointarchery.com

Hecho en Taiwán

CENTERPOINT, el logo de CENTERPOINT y SNIPER son marcas comerciales de Crosman Corporation.

CenterPoint es una marca comercial de Crosman Corporation en los Estados Unidos. © 2020 Crosman Corporación 11-20 OM



SNIPER® XT390

ARBALÈTE À POULIES

Manuel d'utilisation



AXCSXT390A516



BIENVENUE

Votre choix de l'Arbalète à poulies Sniper XT390 nous honore. Que cette arbalète soit un cadeau pour vous-même ou un moyen d'initier d'autres personnes à la vie du chasseur, nous ne doutons pas qu'elle fasse bonne impression.

Pour votre sécurité :

VEUILLEZ LIRE LE PRÉSENT MANUEL D'UTILISATION AU COMPLET AVANT D'UTILISER VOTRE ARBALÈTE À POULIES SNIPER XT390.

Les arbalètes, y compris l'Sniper XT390, sont destinées à la chasse et au tir à la cible. Une utilisation incorrecte ou imprudente peut blesser ou tuer l'utilisateur et les gens qui l'entourent. Nous voulons que vous ne fassiez rien de moins que votre meilleur tir. SOYEZ PRUDENT : TIREZ AVEC PRUDENCE !

Si c'est votre première arbalète CenterPoint, des conseils supplémentaires peuvent s'avérer bienvenus avant le premier armement, chargement ou tir de votre Sniper XT390. Si vous avez des questions ou des préoccupations au sujet de ce produit, de son bon assemblage ou de son utilisation sécuritaire, n'hésitez pas à nous contacter à partir de l'adresse centerpointarchery.com/contact-support. Nos experts du service à la clientèle sont ravis de vous aider du lundi au vendredi, de 9 h à 16 h 30 (HNC).

BIENVENUE DANS LA FAMILLE CENTERPOINT.

Vous êtes né pour ça.

⚠ AVERTISSEMENT : USAGE RECOMMANDÉ UNIQUEMENT POUR LES ADULTES. UNE UTILISATION INCORRECTE OU NÉGLIGENTE PEUT PROVOQUER DES BLESSURES GRAVES VOIRE LA MORT. LIRE TOUTES LES INSTRUCTIONS AVANT D'UTILISER CET ARC. CONSERVER LES INSTRUCTIONS ET LE MANUEL DE SÉCURITÉ POUR RÉFÉRENCE ULTÉRIEURE.

⚠ AVERTISSEMENT : TOUJOURS GARDER LES MAINS, LES DOIGTS ET LES POUCES À L'ÉCART DE LA TRAJECTOIRE DE LA CORDE D'ARC ET DES CÂBLES ET SOUS LE RAIL QUAND UNE ARBALÈTE EST ARMÉE.

⚠ AVERTISSEMENT : L'ACHETEUR ET L'UTILISATEUR SONT TENUS DE SE CONFORMER À TOUTES LES LOIS RELATIVES À L'UTILISATION ET À LA PROPRIÉTÉ DE CETTE ARBALÈTE.

⚠ AVERTISSEMENT : CE PRODUIT PEUT VOUS EXPOSER À DES PRODUITS CHIMIQUES, Y COMPRIS DU PLOMB, QUI EST RECONNU PAR L'ÉTAT DE CALIFORNIE COMME PROVOQUANT LE CANCER, DES ANOMALIES CONGÉNITALES OU D'AUTRES EFFETS NOCIFS SUR LA REPRODUCTION. POUR DE PLUS AMPLES RENSEIGNEMENTS, CONSULTER LE WWW.P65WARNINGS.CA.GOV.

Section 1 : Sécurité

! S'il vous plaît, n'ignorez pas cette page. Les règles qui suivent sont essentielles à une utilisation et un entretien sécuritaires de l'arbalète.

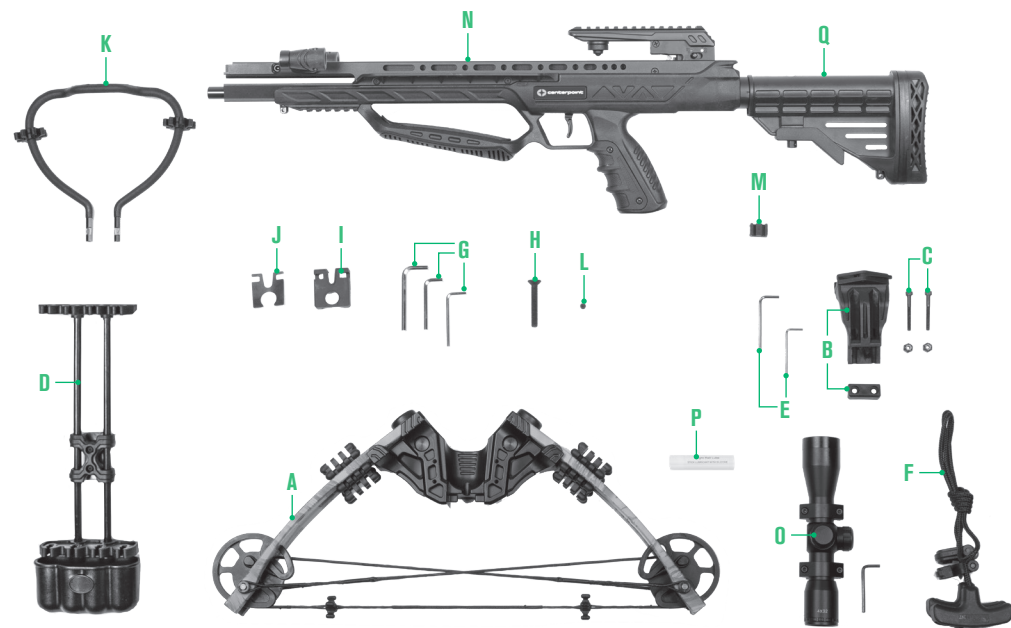
- TOUJOURS manipuler cette arbalète comme si elle était chargée et prête à tirer.
- TOUJOURS manipuler cette arbalète avec autant de précautions que vous le feriez pour une arme à feu.
- TOUJOURS ranger cette arbalète déchargée et hors de portée des enfants.
- TOUJOURS s'assurer que cette arbalète est déchargée et que son cran de sûreté est ENCLENCHÉ avant de la transférer d'une personne à une autre ou de la retirer de l'entreposage.
- TOUJOURS laisser le cran de sûreté de cette arbalète ENCLENCHÉ jusqu'à ce que vous soyez prêt à tirer.
- TOUJOURS être conscient de sa cible et de ce qui peut se trouver derrière elle.
- TOUJOURS vérifier l'état d'usure de la butte de tir de votre cible avant et après le tir. Toutes les buttes de tir s'usent avec le temps et finissent par ne plus fonctionner. Remplacez la butte de tir de votre cible quand sa surface est usée ou endommagée.
- TOUJOURS vérifier l'arbalète pour y déceler des pièces usées, endommagées, desserrées ou manquantes avant de tirer.
- TOUJOURS vérifier le dispositif d'armement de la corde pour y déceler des pièces usées, abîmées, desserrées ou manquantes avant l'utilisation.
- TOUJOURS inspecter régulièrement l'état de vos flèches. Le tir d'une flèche endommagée peut causer de graves blessures à vous-même et à ceux qui vous entourent. Toute flèche entaillée, bosselée, fendue ou fragmentée doit être éliminée immédiatement.
- TOUJOURS garder les mains, les doigts et les pouces à l'écart de la trajectoire de la corde et des câbles et sous le rail quand une arbalète est armée.
- TOUJOURS s'assurer que les branches de l'arbalète sont exemptes de tout obstacle avant de tirer. Le tir relâche les branches avec une énorme force. Si les branches venaient à heurter un obstacle, l'arbalète et l'obstacle pourraient subir de graves dommages.
- TOUJOURS porter des lunettes de protection lors de l'utilisation de tout type d'arc.
- NE JAMAIS utiliser cette arbalète avec une cible qui n'est pas conçue pour une utilisation avec arbalète. Les flèches tirées par cette arbalète peuvent pénétrer facilement des cibles de qualité inférieure et des buttes de tir usées.
- NE JAMAIS armer ou charger cette arbalète avant d'être prêt à tirer.
- NE JAMAIS pointer cette arbalète en direction de quelqu'un ou de quelque chose que vous n'avez pas l'intention d'atteindre.
- NE JAMAIS substituer la sûreté automatique de cette arbalète ni aucun autre dispositif mécanique à des pratiques de maniement sécuritaire.
- NE JAMAIS mettre le doigt sur la détente ou dans le pontet avant d'être prêt à tirer.
- NE JAMAIS tirer à vide avec cette arbalète. Le tir avec votre arbalète sans d'abord y encocher une flèche endommage votre arbalète et peut vous blesser.
- NE JAMAIS tirer de flèches, de carreaux ou de projectiles qui ne sont pas recommandés par CenterPoint pour une utilisation avec cette Arbalète à poulies Sniper XT390. Le tir de projectiles non recommandés peut entraîner des blessures ou des dommages à l'arbalète. Chargez dans l'Arbalète à poulies Sniper XT390 UNIQUEMENT des flèches de 20 pouces dotées d'une encoche demi-lune dont le poids à l'état fini est de 400 grains ou plus.
- NE JAMAIS armer l'arbalète au-delà de sa course de puissance maximale, ce qui pourrait endommager les branches, les câbles ou la corde d'arc.
- NE JAMAIS utiliser la main, la corde d'armement ou un dispositif d'armement approuvé pour désarmer l'arbalète étant donné que cela peut provoquer des blessures graves à l'utilisateur ou endommager l'arbalète.
- NE JAMAIS tenter de démonter ou de modifier cette arbalète, car des outils spéciaux sont nécessaires. Pour obtenir de l'aide, veuillez contacter une boutique spécialisée en produits de tir à l'arc. Une tentative de modification de cette arbalète d'une manière qui n'est pas décrite dans le présent manuel d'utilisation peut rendre cette arbalète dangereuse, et elle annulera la garantie.

Section 2 : Présentation de Sniper XT390

LISTE DE PIÈCES

Veillez consulter cette liste pour vous assurer que toutes les pièces sont présentes avant de procéder à l'assemblage.

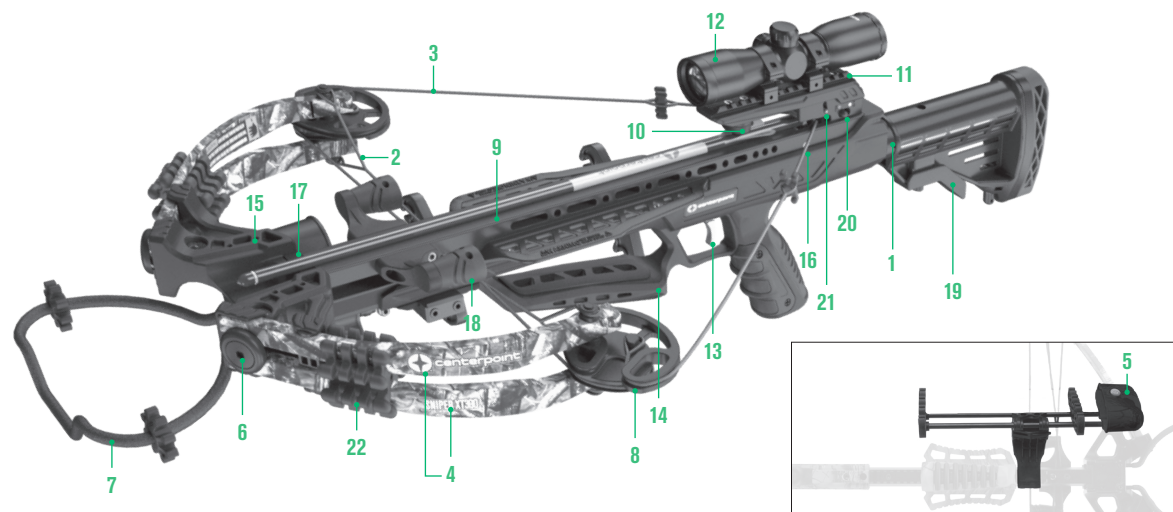
- | | | | |
|--|--|--|--|
| A. Assemblage branches/riser (avec cordes/câbles) | E. Clés Allen du carquois (2) | I. Couvercle de joint | N. Corps principal de l'arbalète (crosse/monture/fût) |
| B. Support du carquois | F. Dispositif d'armement de la corde de l'arbalète (corde d'armement) | J. Joint d'étanchéité du couvercle de joint | O. Lunette de visée 4x32 |
| C. Vis du support du carquois (2) | G. Clés Allen d'assemblage | K. Étrier à pied | P. Lubrifiant pour le rail/cire pour la corde |
| D. Carquois | H. Vis de branche | L. Vis de blocage du boulon du riser | Q. Crosse réglable |
| | | M. Glissière des câbles | |



LES PIÈCES D'UNE ARBALÈTE SNIPER XT390

Le fait de bien connaître la terminologie employée pour décrire les pièces d'une arbalète vous aidera lors de l'assemblage. Ce schéma montre une Arbalète à poulies Sniper XT390 entièrement assemblée, armée et chargée.

- | | | | |
|--------------------------------|--|---------------------------------|---|
| 1. Crosse, monture, fût | 7. Étrier à pied | 13. Détente | 19. Crosse réglable |
| 2. Câbles | 8. Poulie | 14. Garde-main | 20. Cran de sûreté |
| 3. Corde | 9. Rail | 15. Riser | 21. Cran de préparation à l'armement de l'arbalète |
| 4. Branche séparée | 10. Ressort de retenue sur roulement à billes | 16. Tranche-fil | 22. Amortisseurs de branches |
| 5. Carquois | 11. Bloc de visée | 17. Rainure de lancement | |
| 6. Poche de branche | 12. Lunette de visée | 18. Amortisseur de corde | |



Section 3 : Assemblage de votre Sniper XT390

 Veuillez consulter le centerpointarchery.com/sniper-xt390#dm pour trouver une vidéo utile qui vous montre comment assembler votre Sniper XT390, étape par étape.

Environ 30 minutes devraient être nécessaires pour bien assembler votre arbalète à poulies Sniper XT390. En plus du matériel et des outils fournis, vous aurez besoin d'un tournevis à tête plate. Veuillez suivre les étapes ci-dessous, dans l'ordre :

1 Installation du riser

- 1a** Attachez la glissière des câbles aux câbles la glissière des câbles possède une ouverture plus grande d'un côté pour permettre de placer la glissière correctement sur le rail. (Fig. 3)
- 1b** Glissez la glissière du câble dans l'ouverture à l'extrémité du rail tout en glissant la corde le long de la partie supérieure du rail. (Fig. 4)
- 1c** Attachez le joint d'étanchéité du couvercle de joint au couvercle de joint. Glissez le capuchon du joint sur le rail. (Fig. 4)
- 1d** Glissez le riser sur le rail. Installer et serrer le boulon du riser à l'aide de la clé hexagonale. Insérer la vis de serrage du boulon du riser pour empêcher que ce boulon ne se desserre. La serrer à l'aide de la clé hexagonale. (Fig. 5 et 6)

2 Comment insérer l'étrier

- 2a** Insérez l'étrier dans le riser en alignant les rainures de rétention sur les trous de la vis d'arrêt en utilisant les 2 vis à l'aide de la clé Allen (Fig. 7 & 8)
- IMPORTANT:** Assurez-vous que l'assemblage de l'arbalète est bien serré avant de déclencher l'arbalète. Il se peut que les boulons d'assemblage doivent être resserrés périodiquement après avoir utilisé l'arbalète.

3 Comment monter le carquois

- 3a** L'arbalète Sniper XT390 est fournie avec un support de carquois parallèle. Le support peut être monté sur le côté gauche ou droit de l'arbalète.
- 3b** Dévissez les vis du support de montage et fixez ce dernier sur le rail Picatinny, sous le fût et devant le garde-main.
- 3c** Fixez le support de carquois rapidement démontable sur l'extrémité du support de montage (Fig 9).
- 3d** Joignez le support de carquois au carquois en faisant glisser l'un sur l'autre et en les verrouillant en place à l'aide du levier de verrouillage.
- 3e** Assurez-vous que le carquois est verrouillé et bien fixé en place.

4 Comment attacher la lunette de visée

- 4a** Longueur de la crosse – Appuyez sur le levier situé sur le dessous de la crosse (Fig. 10) et faites glisser la crosse en arrière sur l'une des 4 positions. Relâchez le levier pour verrouiller la crosse en place.
- 4b** Comment déplacer l'appui-joue – Desserrez les vis de chaque côté de l'appui-joue et déplacez l'appui-joue vers le haut ou vers le bas. Une fois que vous avez trouvé une position de tir confortable, resserrez les vis de chaque côté.

5 Comment ajuster la longueur du fût

- 5a** Appuyez sur le levier sur le dessous du fût. (Fig. 11)
- 5b** Glissez le fût pour le positionner entre 0 et 5 afin de l'allonger ou le raccourcir.
- 5c** Relâchez le levier pour le verrouiller en place.

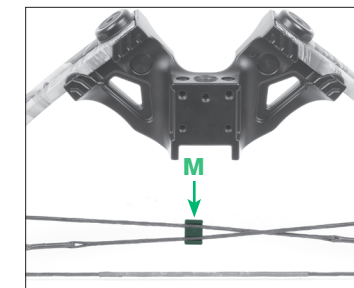


FIGURE 3

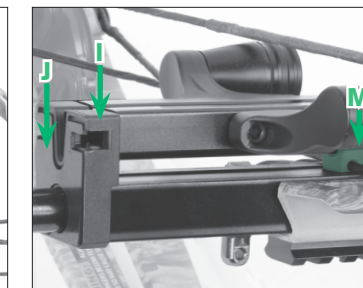


FIGURE 4



FIGURE 5

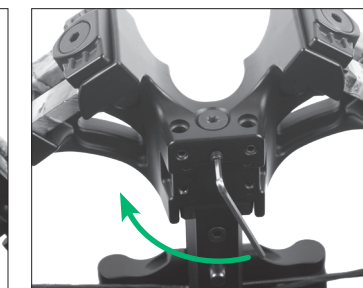


FIGURE 6

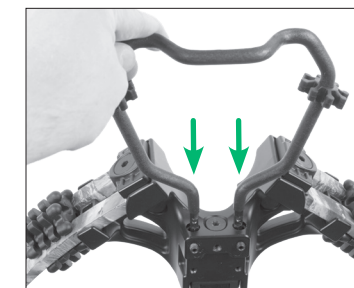


FIGURE 7

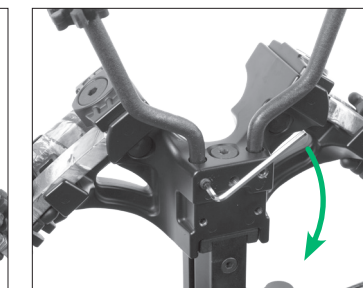


FIGURE 8

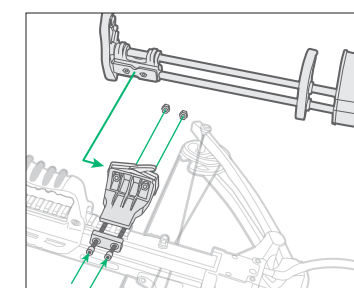


FIGURE 9



FIGURE 10

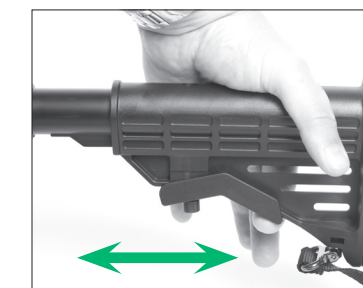


FIGURE 11



Section 4 : Comment Faire Fonctionner La Sûreté

ATTENTION: NE JAMAIS SE FIER À UN DISPOSITIF MÉCANIQUE POUR REMPLACER LES PRATIQUES DE MANIPULATION SÉCURITAIRES. TOUJOURS MANIPULER L'ARBALÈTE COMME SI LA SÛRETÉ DE L'ARBALÈTE N'ÉTAIT PAS ENCLENCHÉE. COMME TOUT DISPOSITIF MÉCANIQUE, IL EST POSSIBLE QUE LA SÛRETÉ DE L'ARBALÈTE FASSE DÉFAUT. MÊME LORSQUE LA SÛRETÉ EST ENCLENCHÉE, VOUS DEVRIEZ CONTINUER À MANIPULER L'ARBALÈTE AVEC PRÉCAUTION.

1 Pour ENCLENCHER la sûreté de l'arbalète (position « SAFE »)

REMARQUE: La sûreté est automatiquement enclenchée et le cran de sûreté se déplace sur la position « SAFE » lorsque l'arbalète est armée lors d'une procédure d'armement normale (voir Section 6. COMMENT ARMER L'ARBALÈTE).

1a Assurez-vous que l'arbalète pointe vers un ENDROIT SÛR

1b Glissez le cran de sûreté de la position « FIRE » à la position « SAFE ». (Fig. 12)

1c La sûreté de l'arbalète est ENCLENCHÉE quand le cran de sûreté est déplacé à fond vers l'arrière et placé sous le POINT BLANC (position « SAFE »).

1d Inspectez soigneusement le cran de sûreté pour vous assurer qu'il est entièrement à la position « SAFE » (Fig. 12). Si le cran de sûreté n'a pas été déplacé à fond vers l'arrière et s'il n'est pas placé au niveau du point BLANC, cela signifie qu'il n'a pas été placé sur la position « SAFE » et qu'il est toujours sur la position « FIRE ». Toujours inspecter visuellement le cran de sûreté pour s'assurer qu'il est à la position désirée.

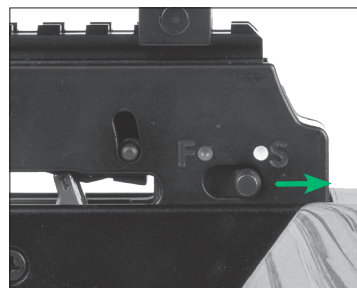


FIGURE 12

AVERTISSEMENT : SI POUR UNE RAISON QUELCONQUE, LE CRAN DE SÛRETÉ NE SE DÉPLACE PAS COMPLÈTEMENT SUR LA POSITION « SAFE » (FIG. 12), DÉARMEZ L'ARBALÈTE DE FAÇON SÉCURITAIRE EN UTILISANT UNE FLÈCHE TEL QUE DÉCRIT À LA SECTION 9. NE PAS UTILISER L'ARBALÈTE. APPELEZ LE SERVICE À LA CLIENTÈLE AU 1-866-726-1122 POUR OBTENIR UNE RÉPARATION AUTORISÉE.

2 Pour mettre l'arbalète sur la position « FIRE »

REMARQUE: Si vous désirez armer l'arbalète et le cran de sûreté est sur la position « SAFE », vous devrez utiliser le cran de préparation à l'armement pour déplacer le cran de sûreté de la position « SAFE » à la position « FIRE » afin que l'arbalète puisse accepter la corde lorsqu'elle est armée. Veuillez suivre les instructions d'armement et de chargement de l'arbalète (voir Sections 6 & 7).

ATTENTION:

- UTILISER SEULEMENT LE CRAN DE PRÉPARATION (FIG. 2 #22) À L'ARMEMENT AU COURS D'UNE PROCÉDURE D'ARMEMENT NORMALE AFIN DE DÉPLACER LE CRAN DE SÛRETÉ DE LA POSITION « SAFE » À LA POSITION « FIRE » (VOIR SECTION 6- COMMENT ARMER L'ARBALÈTE).
- NE JAMAIS UTILISER LE CRAN DE PRÉPARATION À L'ARMEMENT APRÈS AVOIR ARMÉ L'ARBALÈTE. LE FAIT D'UTILISER LE CRAN DE PRÉPARATION À L'ARMEMENT ALORS QUE L'ARBALÈTE EST ARMÉE DÉACTIVERA LE MÉCANISME DE PRÉVENTION DES TIRS À VIDE.

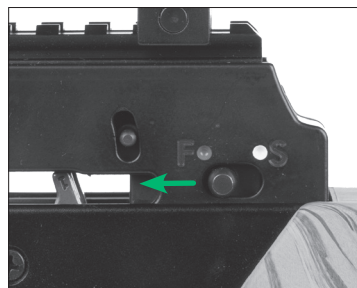


FIGURE 13

2a Assurez-vous que l'arbalète pointe vers un ENDROIT SÛR.

2b Repérez le cran de sûreté sur le côté du fût.

2c Glissez le cran de sûreté de la position « FIRE » à la position « SAFE ». (Fig. 13)

2d La sûreté de l'arbalète est DÉGAGÉE et l'arbalète est prête à tirer quand le cran de sûreté est déplacé à fond vers l'avant et placé sous le POINT ROUGE (position « FIRE »).

IMPORTANT: Après avoir armé l'arbalète, l'utilisateur déplacera le cran de sûreté de la position « SAFE » à la position « FIRE » SEULEMENT si une flèche/un carreau aura été chargé(e).

Section 5 : Utilisation de votre Sniper XT390 (suite)

AVERTISSEMENT : VOTRE ARBALÈTE FONCTIONNERA DE FAÇON OPTIMALE SI VOUS UTILISEZ LE DISPOSITIF D'ARMEMENT DE LA CORDE QUI A ÉTÉ CONÇU POUR VOTRE ARBALÈTE. L'UTILISATION D'AUTRES DISPOSITIFS D'ARMEMENT AVEC DES LONGUEURS DE CORDE ET DES CROCHETS DE CONFIGURATION DIFFÉRENTES PEUT REPRÉSENTER UN DANGER POUR L'UTILISATEUR ET ENDOMMAGER VOTRE ARBALÈTE.

ATTENTION:

- NE PAS ARMER NI CHARGER L'ARBALÈTE À MOINS D'ÊTRE DANS UN ENDROIT SÛR ET EN POSITION POUR CHARGER ET TIRER EN TOUTE SÉCURITÉ. VEILLER À APPLIQUER DU LUBRIFIANT À RAIL SUR L'ARBRIER, APPLIQUER DE LA CIRE À CORDE ET À CÂBLE SUR LES PARTIES NON UTILISÉES DE LA CORDE ET DU CÂBLE AVANT D'ARMER.
- NE PAS OUBLIER: POUR ARMER L'ARBALÈTE, LE CRAN DE SÛRETÉ DOIT ÊTRE SUR LA POSITION « FIRE ». ALORS QUE VOUS ARMEZ L'ARBALÈTE, LA SÛRETÉ VA S'ENCLENCHER SUR LA POSITION « SAFE ».

1 Si le cran de sûreté est sur la position « SAFE »:

1a Poussez sur le cran de préparation à l'armement et maintenez-le appuyé vers l'avant. (Fig. 16)

1b Tout en maintenant le cran de préparation à l'armement appuyé vers l'avant, glissez le cran de sûreté de la position « SAFE » à la position « FIRE ». (Fig. 14)

1c Relâchez le cran de préparation à l'armement dès que le cran de sûreté est sur la position « FIRE ». (Fig. 14)

1d Placez l'étrier d'armement sur le sol et posez solidement votre pied à l'intérieur. (Fig. 17)

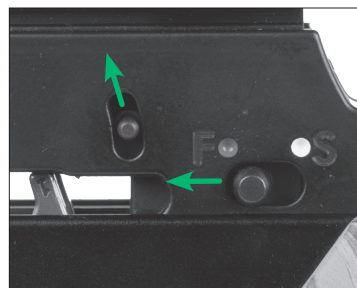


FIGURE 14

Section 5 : Utilisation de votre Sniper XT390 (suite)

1e Placez le centre de la corde d'armement dans la rainure de corde. (Fig. 16)

1f Placez les crochets de la corde d'armement sur la corde de l'arbalète, de chaque côté du rail de lancement. (Fig. 15)

1g Tirez sur les deux poignées en T en même temps, en tirant sur la corde de l'arbalète vers l'arrière pour la placer sous le ressort de rétention et dans l'ouverture de corde du mécanisme de la détente (la tension maintiendra les crochets d'armement contre le rail, si le processus a été effectué correctement). (Fig. 17)

1h Continuez à tirer sur la corde de l'arbalète jusqu'à ce que le cran de sûreté de la détente se déplace sur la position « SAFE ». (Fig. 13).

1i Relâchez légèrement la tension des mains pour vous assurer que la corde de l'arbalète a bien été saisie par le verrou de la détente.

REMARQUE: la corde devrait s'enclencher en place et la sûreté devrait s'enclencher automatiquement. Si la corde est saisie dans le verrou de la détente, lâchez la corde.

1j Une fois l'arbalète armée, retirez les crochets de la corde d'armement de la corde de l'arbalète

1k L'arbalète est maintenant armée et prête à être chargée à l'aide d'une flèche ou d'un carreau.



FIGURE 15



FIGURE 16



FIGURE 17

AVERTISSEMENT : NE JAMAIS UTILISER VOTRE MAIN NI LA CORDE D'ARMEMENT POUR DÉARMER L'ARBALÈTE ÉTANT DONNÉ QUE CELA PEUT PROVOQUER DES BLESSURES GRAVES À L'UTILISATEUR OU ENDOMMAGER L'ARBALÈTE.

2 COMMENT CHARGER L'ARBALÈTE

2a Vérifiez si la sûreté de l'arbalète est sur la position « SAFE »

2b Pointez votre arbalète vers un ENDROIT SÛR.

2c Assurez-vous d'utiliser des flèches/carreaux de la taille et du poids recommandés. (Tableau des caractéristiques techniques pour toute information relative aux flèches/carreaux).

2d Saisissez la flèche près de sa pointe à l'extrémité opposée à l'empennage. L'arbalète peut être chargée en gardant les mains et toutes les parties du corps hors de la trajectoire de la corde et dans la zone de chargement sécuritaire (Fig. 18). Gardez vos mains, vos doigts et toutes les autres parties de votre corps hors de la trajectoire de la corde et des câbles en tout temps. L'arbalète est conçue de façon à ce que l'utilisateur n'ait jamais besoin de placer une partie de son corps dans la trajectoire de la corde de l'arbalète. Le non-respect de cet avertissement peut causer des blessures graves ou la mort.

2e Placez la flèche/le carreau de manière à ce que la penne/l'empennage d'armement (penne/empennage de couleurs variées) soit dans la rainure de lancement (Fig. 18)

2f Glissez la flèche/le carreau vers le boîtier de la gâchette, sous le ressort de rétention de la flèche/du carreau, jusqu'à ce que la flèche/le carreau repose entièrement sur la corde. (Fig. 18)

2g Après avoir suivi les étapes ci-dessus et lu tout le guide d'utilisation, y compris la section au sujet des règles de sécurité, votre arbalète est maintenant chargée et prête à tirer.

AVERTISSEMENT : GARDEZ LA SÛRETÉ DE VOTRE ARBALÈTE SUR LA POSITION « SAFE » JUSQU'À CE QUE VOUS SOYEZ VRAIMENT PRÊT À TIRER. PUSSEZ ENSUITE LA SÛRETÉ VERS L'AVANT POUR LA METTRE SUR LA POSITION « FIRE ».



FIGURE 18



Section 5 : Utilisation de votre Sniper XT390 (suite)

3 COMMENT VISER ET TIRER EN TOUTE SÉCURITÉ

AVERTISSEMENT : GARDEZ LES DOIGTS ET LE POUCE EN DESSOUS DE LA TRAJECTOIRE DE LA CORDE ET DES CÂBLES. LE NON-RESPECT DE CET AVERTISSEMENT PEUT PROVOQUER DES BLESSURES GRAVES.

3a Comment viser avec l'arbalète

- Toujours pointer l'arbalète vers un **ENDROIT SÛR**.
- Toujours gardez les doigts et le pouce en dessous de la trajectoire de la corde de l'arc (Fig. 19)
- Tous les participants doivent porter des lunettes de sécurité lors du tir. L'arbalète pointant vers le champ de tir et portée à l'épaule, placez votre main sur la crosse et l'autre main positionnée sur le garde-main et en dessous de la trajectoire de la corde (Fig. 19)
- Ne tirez pas sur des surfaces dures ou sur la surface de l'eau. Les flèches peuvent rebondir ou ricocher en direction d'une personne ou de quelque chose que vous n'aviez pas l'intention d'atteindre.
- Choisissez toujours votre cible avec prudence.
- **PENSEZ** à ce que vous pourriez atteindre si vous ratiez la cible.



FIGURE 19

AVERTISSEMENT : NE PLACEZ JAMAIS DES PARTIES DE VOTRE CORPS (Y COMPRIS VOS MAINS OU VOS DOIGTS) DANS LA TRAJECTOIRE DE LA CORDE OU DES CÂBLES DE L'ARBALÈTE. PLACEZ VOTRE MAIN AVANT SUR LE GARDE-MAIN DE LA CROSSE EN DESSOUS DE LA TRAJECTOIRE DE LA CORDE ET DES CÂBLES EN TOUT TEMPS (VOIR FIG. 19). LE NON-RESPECT DE CET AVERTISSEMENT PEUT CAUSER DES BLESSURES GRAVES OU LA MORT.

3b Comment régler la visée de votre arbalète

- L'arbalète est équipée d'une lunette de visée. Suivez les instructions fournies avec votre lunette de visée pour l'installation et le réglage de votre optique.

3c Comment tirer avec l'arbalète

- L'arbalète pointant vers un **ENDROIT SÛR** et vos mains dans la bonne position, dégagez la sûreté en la poussant complètement vers l'avant « FIRE » (voir section 5B).
- Appuyez sur la détente.

3d Comment désarmer l'arbalète

AVERTISSEMENT : NE JAMAIS UTILISER VOTRE MAIN NI LA CORDE D'ARMEMENT POUR DÉARMER L'ARBALÈTE ÉTANT DONNÉ QUE CELA PEUT PROVOQUER DES BLESSURES GRAVES À L'UTILISATEUR OU ENDOMMAGER L'ARBALÈTE.

- N'armez pas ni ne chargez votre arbalète tant que vous n'êtes pas dans un endroit sûr et en position pour tirer en toute sécurité.
- **TOUJOURS** identifier la cible et au-delà avant de tirer.
- Si pour une raison quelconque vous devez désarmer votre arbalète, **NE FAITES JAMAIS DE TIR À VIDE**. Chargez une vieille flèche/un vieux carreau et tirez sur une cible sûre après avoir suivi les instructions contenues dans ce guide. Un tir à vide peut provoquer des blessures graves et endommager votre arbalète.



FIGURE 20

Section 6 : Comment entretenir votre Sniper XT390

COMMENT ENTREtenir VOTRE ARBALÈTE

- **NE JAMAIS TIRER À VIDE AVEC UNE ARBALÈTE.**
- **NE JAMAIS MODIFIER NI TRANSFORMER L'ARBALÈTE.** Toute tentative de modification de l'arbalète contrevenant de quelque manière que ce soit aux instructions de ce guide, peut rendre son utilisation dangereuse, peut provoquer des blessures graves voire la mort et annulera la garantie.
- Si vous laissez tomber l'arbalète, examinez-la pour voir si elle fonctionne bien avant de l'utiliser à nouveau. Si quelque chose vous semble différent, comme une détente plus courte ou plus faible, il pourrait s'agir de pièces cassées.
- Vérifiez toujours soigneusement votre arbalète pour déceler des pièces usées, endommagées, desserrées ou manquantes avant de tirer. Appelez le service clientèle pour obtenir de l'aide avant d'utiliser à nouveau votre arbalète.
- Appliquez périodiquement une fine couche de lubrifiant à base de silicone sur toutes les pièces de métal pour empêcher toute corrosion.
- On recommande également d'appliquer du lubrifiant à rail (compris) afin de réduire l'effilochage et l'usure. Appliquez sur le rail une petite quantité de lubrifiant à rail tous les 12 à 15 tirs. **NE PAS** cirer la partie centrale de la corde d'arbalète puisque cela peut entraîner l'accumulation de cire dans le mécanisme de détente. Gardez le rail de lancement lubrifié et la corde et les câbles cirés pour réduire la friction. Toujours vérifier et remplacer les cordes et les câbles effilochés et usés.
- Changez les cordes lorsqu'elles sont usées ou effilochées. Faites appel à une boutique spécialisée en produits de tir à l'arc pour changer les cordes. Cette opération exige de l'expérience et une presse à arc que vous trouverez dans des boutiques spécialisées en produits de tir à l'arc.
- Inspectez toutes les flèches/tous les carreaux pour déceler toute usure, entaille ou tout dommage avant de les utiliser. Si des entailles ou des dommages d'usure sont présents, éliminez les flèches/carreaux de façon adéquate.
- Toujours ranger l'arbalète dans un endroit frais et sec. Ne pas exposer l'arbalète à une chaleur excessive comme par exemple, dans le coffre d'une voiture par temps chaud et ensoleillé ou en la rangeant près d'une source de chaleur.

POUR REMPLACER LE RESSORT DE RETENUE SUR ROULEMENT À BILLES DE SNIPER XT390 :

- Communiquez avec le service à la clientèle de CenterPoint par le biais du site centerpointarchery.com/contact/ pour commander les bonnes pièces.
- Retirez la lunette de visée 4x32 mm (si elle est installée) du rail Picatinny supérieur (partie 23) en desserrant les deux vis de fixation.
- Retirez les deux vis hexagonales qui se situent complètement à l'arrière du rail Picatinny supérieur, comme illustré à la figure 19A.
- Soulevez le rail Picatinny supérieur pour le retirer de la crosse.
- Retirez les deux vis restantes, qui se situent complètement à l'avant, du dessus du rail Picatinny supérieur, comme illustré à la figure 19B.
- Retirez et remplacez le ressort de retenue, vissez-le en place, puis vissez le rail Picatinny supérieur en place en suivant les instructions ci-dessus dans l'ordre inverse.

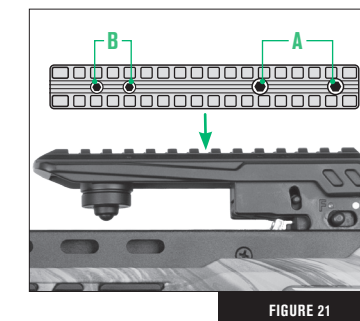


FIGURE 21



CARACTÉRISTIQUES TECHNIQUES

PUISSANCE DE L'ARBALÈTE	185	DÉTENTE	Technologie de détente brevetée – Inhibiteur de tir à sec
PIEDS/S	Jusqu'à 390	TAILLE DE LA FLÈCHE	50,8 cm (20 po) avec encoche demi-lune, d'un poids à l'état fini de 400 grains ou plus
CROSSE, MONTURE, FÛT	Composite	POIDS	7,13 lbs
BRANCHE	Fibre de verre comprimée	LONGUEUR	35,5"
OPTIQUE	4x32	LARGEUR	18" non armée / 14" armée
RISER	Aluminium	FLÈCHES	Non comprises

GARANTIE LIMITÉE RELATIVE AUX ARBALÈTES CENTERPOINT

Votre arbalète CenterPoint® est garantie contre tout défaut de matériaux et de fabrication pendant une période de 5 ans à partir de la date d'achat. Cette garantie n'est pas transférable et pour cette raison, seul le propriétaire initial peut s'en prévaloir. Cette garantie ne couvre pas les dommages causés par l'usure normale ou une négligence dans l'entretien de routine, et elle ne couvre pas les câbles, les cordes ni les accessoires. Dans le cas d'une défectuosité couverte par cette garantie, CenterPoint procédera à la réparation ou au remplacement du produit, à sa discrétion, si toutefois l'inspection indique qu'une défectuosité d'origine est en cause. CenterPoint se réserve le droit de remplacer tout produit qui n'est plus en production par un produit de valeur et de fonction comparables. Si CenterPoint détermine que la réparation n'est pas couverte au titre de la garantie, il se peut que cette réparation soit à vos frais. Il s'agit d'une garantie limitée qui ne couvre pas les dommages causés par le feu, un usage abusif, un maniement inadéquat ou une installation ou un entretien effectué par un tiers autre qu'un centre de service autorisé CenterPoint.

CETTE GARANTIE LIMITÉE N'INCLUT PAS LES DOMMAGES INDIRECTS, LES DOMMAGES OU FRAIS ACCESSOIRES, Y COMPRIS LES DOMMAGES MATÉRIELS OU TOUTE AUTRE DÉPENSE ENGAGÉE. CENTERPOINT DÉCLINE TOUTE GARANTIE IMPLICITE, Y COMPRIS LES GARANTIES TACITES DE QUALITÉ MARCHANDE ET D'ADÉQUATION À UN USAGE PARTICULIER. CERTAINS ÉTATS NE PERMETTENT PAS L'EXCLUSION OU LA LIMITATION DES DOMMAGES ACCESSOIRES OU INDIRECTS OU PERMETTENT DES RESTRICTIONS SUR LES GARANTIES IMPLICITES, PAR CONSÉQUENT, LES CLAUSES LIMITATIVES OU EXCLUSIVES CI-DESSUS PEUVENT NE PAS S'APPLIQUER DANS VOTRE CAS. SI UNE DISPOSITION DE CETTE GARANTIE EST INTERDITE EN VERTU D'UNE LOI FÉDÉRALE, NATIONALE, OU MUNICIPALE, SUR LAQUELLE LA DISPOSITION NE PEUT PRÉVALOIR, CETTE DERNIÈRE NE SERA PAS APPLICABLE. CETTE GARANTIE VOUS CONFÈRE CERTAINS DROITS RECONNUS PAR LA LOI. VOUS POUVEZ ÉGALEMENT DÉTENIR D'AUTRES DROITS QUI VARIENT D'UN ÉTAT À L'AUTRE ET D'UN PAYS À L'AUTRE.

ATTENTION – AVANT DE RETOURNER CE PRODUIT AU MAGASIN :

Communiquez avec un représentant du service à la clientèle pour obtenir de l'aide au (866) 726-1122 ou par le biais du site centerpointarchery.com.

RÉCLAMATIONS AU TITRE DE LA GARANTIE / SERVICE DE RÉPARATION

Si votre produit a besoin d'être réparé, N'ESSAYEZ PAS DE LE DÉMONTÉ. Tout démontage et toute modification effectués autrement que par un centre de service après-vente CenterPoint autorisé annuleront la garantie.

Clients des États-Unis : Communiquez avec le service à la clientèle de CenterPoint par le biais du site centerpointarchery.com/contact/ ou à l'adresse postale ci-dessous. Nous vous indiquerons où et comment envoyer votre produit CenterPoint aux fins de réparation ou de remplacement au titre de la garantie, ou nous vous dirigerons vers un centre de service autorisé.

CenterPoint Archery

Attn: Warranty Dept.
3535 Tower Ave
Superior, WI 54880

Si on vous invite à expédier votre produit CenterPoint à des fins de réparation ou de remplacement, veuillez inclure votre produit, une copie de votre reçu et une brève description écrite du problème. N'oubliez pas d'inclure votre nom, adresse postale, adresse e-mail et numéro de téléphone dans l'emballage.

Nous vous recommandons fortement d'assurer votre expédition et de recourir aux services d'un expéditeur qui fournit un numéro de suivi. CenterPoint n'est pas responsable des marchandises endommagées, perdues ou volées pendant l'expédition en direction ou en provenance de CenterPoint.

Veuillez prévoir de 2 à 4 semaines pour effectuer une réparation ou un remplacement.

Clients canadiens : Pour un service au titre de la garantie, veuillez communiquer avec l'agence Gravel, située à Québec, au (866) 662-4869.

Clients à l'extérieur des États-Unis ou du Canada : Pour un service au titre de la garantie, veuillez communiquer avec le détaillant ou le distributeur auprès duquel vous avez acheté votre produit CenterPoint. Si vous ne connaissez pas le détaillant ou le distributeur, ou s'il vous est impossible de communiquer avec ce dernier, vous pouvez communiquer avec notre service international pour obtenir de l'aide en composant le (885) 657-6161 ou par le biais du site centerpointarchery.com.

CenterPoint Archery

3535 Tower Ave.
Superior, WI 54880
United States of America
1.866.726.1122
centerpointarchery.com

Fabriqué à Taïwan

CENTERPOINT, le logo CENTERPOINT, et SNIPER sont des marques de commerce de Crosman Corporation.

CenterPoint est une marque de commerce de Crosman Corporation aux États-Unis. © 2020 Crosman Corporation 11-20 0M



AXGSXT390A517