



WRATH[®] 430

COMPOUND CROSSBOW

| Owner's Manual |





WELCOME

We're honored that you've selected the Wrath 430 Compound Crossbow. Whether this crossbow is a gift for yourself or a way for you to help welcome others into the hunters' way of life, we trust it will impress.

Once its contents are assembled, this box contains everything you'll need to get started—except a crossbow approved target. For hunting, we recommend a 100-grain broadhead, which can be attached to the included carbon arrows, and which are the correct weight and size for use with the Wrath 430.

For your own safety:

PLEASE READ THIS ENTIRE OWNER'S MANUAL BEFORE USING YOUR Wrath 430 COMPOUND CROSSBOW.

Crossbows—including the Wrath 430—are intended for hunting and target shooting. If used incorrectly or carelessly, they can injure or kill you and those around you. We want you to take your best shot—and only your best shot. BE CAREFUL—SHOOT SAFELY!

If this is your first CenterPoint crossbow, you may welcome some extra guidance before you first cock, load, or fire your Wrath 430. If you have any questions or concerns about this product, its proper assembly, or safe use, please contact us via centerpointarchery.com/contact-support. Our customer service experts are available Monday through Friday, from 9AM to 4:30PM CST, and we're happy to help you.

WELCOME TO THE CENTERPOINT FAMILY

You were born for this.

⚠ WARNING: RECOMMENDED FOR ADULT USE ONLY. MISUSE OR CARELESS USE MAY RESULT IN SERIOUS INJURY OR DEATH. READ ALL INSTRUCTIONS BEFORE USING. RETAIN INSTRUCTIONS AND SAFETY MANUAL FOR FUTURE REFERENCE.

⚠ WARNING: ALWAYS KEEP YOUR HANDS, FINGERS, AND THUMBS OUT OF THE TRAVEL PATH OF THE BOWSTRING AND CABLES AND BELOW THE RAIL WHEN A CROSSBOW IS COCKED.

⚠ WARNING: BUYER AND USER HAVE THE DUTY TO OBEY ALL LAWS ABOUT THE USE AND OWNERSHIP OF THIS CROSSBOW.

⚠ WARNING: THIS PRODUCT CAN EXPOSE YOU TO CHEMICALS INCLUDING LEAD, WHICH IS KNOWN TO THE STATE OF CALIFORNIA TO CAUSE CANCER, AND LEAD, WHICH IS KNOWN TO THE STATE OF CALIFORNIA TO CAUSE BIRTH DEFECTS OR OTHER REPRODUCTIVE HARM. FOR MORE INFORMATION, GO TO WWW.P65WARNINGS.CA.GOV.

Section 1: Safety

Please do not skip reading this page. The following rules are essential for safe crossbow use and maintenance.

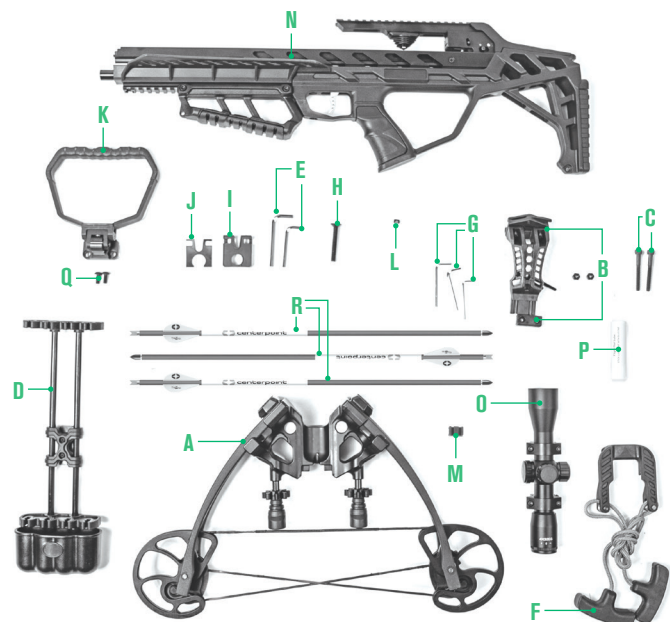
- ALWAYS treat this crossbow as though it is loaded and ready to fire.
- ALWAYS treat this crossbow with the same respect you would a firearm.
- ALWAYS store this crossbow unloaded and away from children.
- ALWAYS make sure that this crossbow is unloaded and its safety switch is set to SAFE before transferring it to or from another person, or taking it out of storage.
- ALWAYS keep this crossbow's safety switch set to SAFE until you are ready to shoot.
- ALWAYS be sure of your target and what is potentially behind your target.
- ALWAYS check your archery backstop for wear before and after target shooting. All target backstops are subject to wear and will eventually fail. Replace your target backstop when the surface becomes worn or damaged.
- ALWAYS check your crossbow thoroughly for worn, damaged, loose, or missing parts prior to shooting.
- ALWAYS check your rope cocking device thoroughly for worn, damaged, loose, or missing parts prior to use.
- ALWAYS inspect your arrows regularly. Shooting a damaged arrow may cause you or those near you serious injury. Any nicked, dented, split, or splintered arrows should be discarded immediately.
- ALWAYS keep your hands, fingers, and thumbs out of the travel path of the bowstring and cables and below the rail when a crossbow is cocked.
- ALWAYS be sure the crossbow's limbs are clear from striking any obstacle before shooting. Firing will allow the limbs to decompress with dramatic force. If doing so causes crossbow limbs to strike an obstacle, the crossbow and the obstacle may both suffer significant damage.
- ALWAYS wear safety glasses when using any type of bow.
- NEVER use this crossbow with a target that is not designed for use with a crossbow. Arrows fired from this crossbow can easily penetrate inferior targets and worn backstops.
- NEVER cock or load this crossbow until you are ready to shoot.
- NEVER point this crossbow at any person or at anything you do not intend to shoot.
- NEVER rely on this crossbow's auto-safety or any other mechanical device as a replacement for safe handling practices.
- NEVER put your finger on the trigger or inside the trigger guard until you are ready to shoot.
- NEVER dry fire this crossbow. Shooting without an arrow nocked will damage your crossbow and could injure you.
- NEVER shoot any arrow, bolt, or projectile from this crossbow except for those recommended by CenterPoint for use with the Wrath 430 Compound Crossbow. Shooting non-recommended projectiles could result in injury to you or damage to the crossbow. ONLY load 20" arrows with a half moon nock with a finished weight of 400 grains or above in an Wrath 430 Compound Crossbow.
- NEVER cock your crossbow beyond its maximum power stroke or you may damage its limbs, cables, and/or bowstring.
- NEVER use your hand, the rope cocker, or approved cranking device to de-cock this crossbow as it may cause serious injury to you or damage to the crossbow.
- NEVER attempt to disassemble or tamper with this crossbow, as special tools are required. Contact an archery shop for assistance. Attempting to modify this crossbow in any way not described in this Owner's Manual may render this crossbow unsafe and will void the warranty.

Section 2: Meet the Wrath 430

PARTS LIST

Please check to ensure all parts are present before attempting assembly.

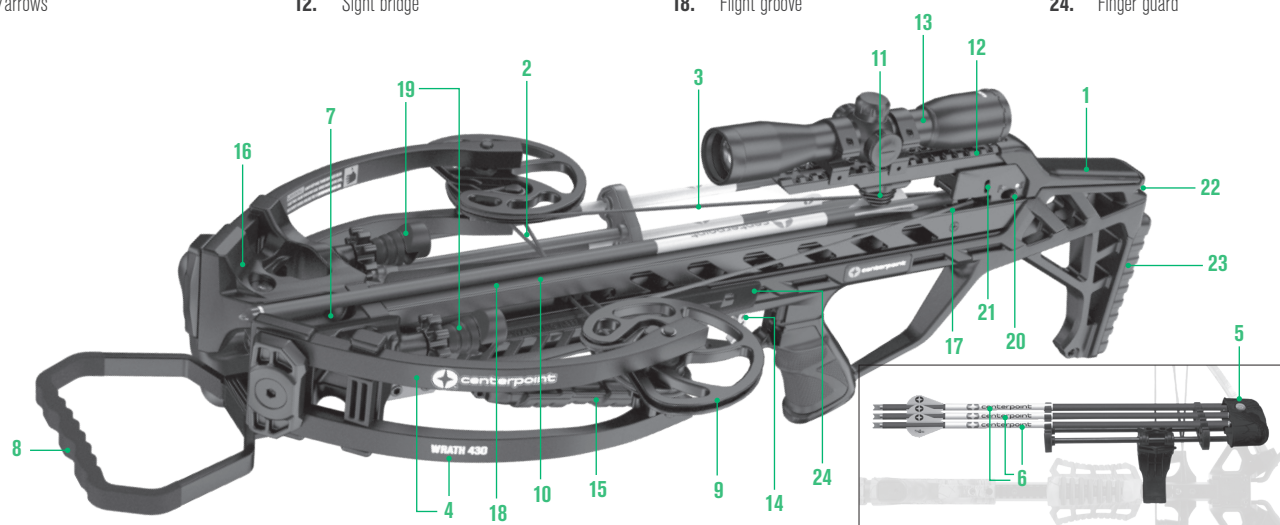
A. Limbs/Riser Assembly (w/Strings/cables)	F. Rope Cocker	K. Folding Stirrup	P. Rail Lube
B. Quiver Mount (2pcs)	G. Assembly Hex Wrenches	L. Riser Bolt Locking Screw	Q. Stirrup Mounting Screws 1/4-20x1/2"
C. Quiver Mount Screws (2)	H. Riser Bolt	M. Cable Slide	R. Three 20" carbon arrows with half moon nocks and field points
D. Quiver	I. Joint Cap	N. Crossbow Main Body (Stock/Barrel)	
E. Quiver Hex Wrenches (2)	J. Joint Cap Pad	O. 4x32 Illuminated Scope & Rings	



THE PARTS OF A WRATH 430 CROSSBOW

Familiarizing yourself with the terminology used to describe the parts of a crossbow will aid you during assembly. This schematic shows a fully assembled, cocked, and loaded Wrath 430 Compound Crossbow.

1. Stock	7. Limb pocket	13. Scope	19. String stop
2. Cables	8. Folding stirrup	14. Trigger	20. Safety switch
3. String	9. Cam	15. Fore grip	21. Cocking preparation switch
4. Split limb	10. Flight rail	16. Riser	22. Rope groove
5. Quiver	11. Ball bearing retention spring	17. (Center) serving	23. Butt pad
6. Bolts/arrows	12. Sight bridge	18. Flight groove	24. Finger guard



Section 3: Assembling Your Wrath 430

Please visit centerpointarchery.com/wrath-430-silent-crank#dm to find a helpful video that walks you through assembling the Wrath 430, step-by-step.

It should take you about 30-minutes to properly assemble your Wrath 430 Compound Crossbow. Beyond the materials and tools supplied, you will also need a flat-head screwdriver. Please follow the steps below in order:

1 Installing the Riser

1a Attach the cable slide to the cables. The cable slide has a larger gap on one side to properly slide onto the rail (Fig. 3).

1b Slide the cable slide into the opening at the end of the rail while sliding the string down the top of the rail (Fig. 3).

1c Attach the Joint Cap Pad (Part J) to the Joint Cap (Part I). Slide the Joint Cap onto the rail (Fig. 4).

1d Slide the riser onto the rail. Install and tighten the riser bolt (Part H) using the hex wrench. Insert the Riser Bolt Locking Screw (Part L) to prevent the Riser Bolt from loosening. Tighten using hex wrench. (Fig. 5 & 6)

2 Installing the Stirrup

2a Attach the folding stirrup (Part K) to the bottom of the riser with the 2 included 1/4-20x1/2" allen screws (Part Q) as shown in Fig. 7 and Fig. 8

IMPORTANT: Be sure that the limb riser assembly is secured tightly before engaging the crossbow. Assembly bolts may need to be retightened periodically after use.

3 Assembling the Quiver

The Wrath 430 comes with a parallel quiver mount (Part B). It can be mounted onto the left or right side of you crossbow.

3a Loosen the screws on the mounting bracket (Part B) and attach to the picatinny rail under the flight rail (Part 10), in front of the foregrip (Part 15).

3b Attach the quick disconnect quiver mount to the end of the mounting bracket (Fig 9).

3c Connect the quiver to the quiver mount by sliding the two mounts together and locking in place with the locking lever.

3d Ensure quiver is locked and secure.

4 Attaching the Scope

4a Attach the Scope mount rings onto the scope using the 4 scope mount screws (Fig. 10).

4b Position your scope by moving it forward or backward until the proper eye relief is found. This is typically three or four inches from your eye to the eyepiece when you are holding the crossbow in a shooting position (Fig. 10).

4c Align the scope mount with the slots on the sight bridge rail (Part 12).

4d Align the screws with the grooves on the rail, and tighten screw heads with a screw driver (not included) (Fig. 10).

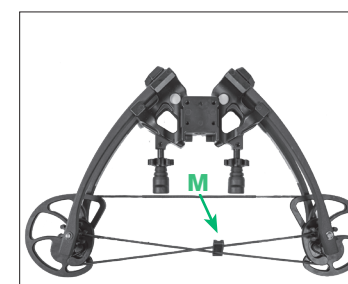


FIGURE 3

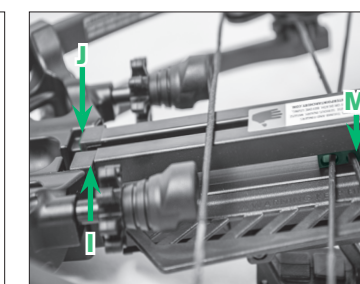


FIGURE 4



FIGURE 5



FIGURE 6

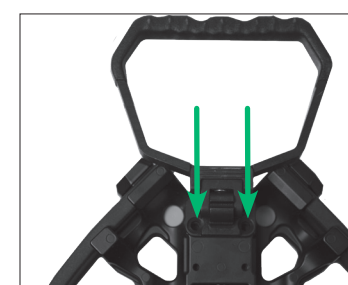


FIGURE 7

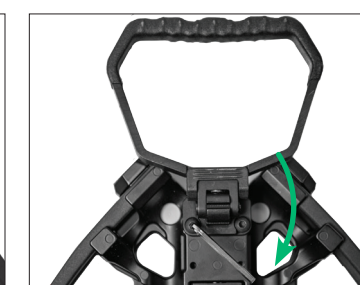


FIGURE 8

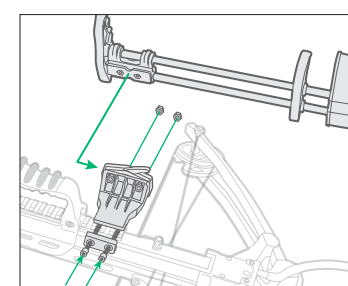


FIGURE 9



FIGURE 10



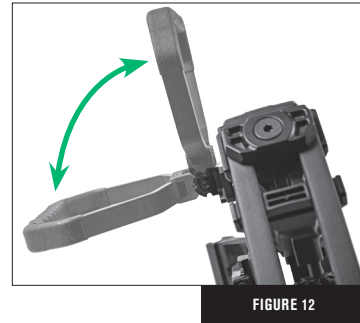
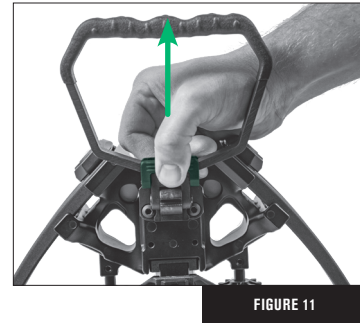
Section 4: Adjusting Your Wrath 430

⚠️ WARNING:

- ALWAYS MAKE SURE THE FOLDING STIRRUP IS PLACED IN THE FULL EXTENDED POSITION BEFORE COCKING THE CROSSBOW.
- NEVER ATTEMPT TO ADJUST THE POSITION OF THE FOLDING STIRRUP ON A LOADED CROSSBOW.

ADJUSTING FOLDING STIRRUP

- ALWAYS make sure the crossbow is UNLOADED and the safety switch is in the (S)AFE position.
- To rotate the position of the folding stirrup from the full extend position, lift up the stirrup release lever found at the base of the of the cocking stirrup (Fig. 11).
- Rotate the folding stirrup to either the down position or the full concealed position (Fig. 12).
- Once the folding stirrup is in the desired position, release the cocking stirrup release lever and double check to make sure the stirrup is fully locked into place.



Section 5: Using Your Wrath 430

COCKING THE WRATH 430

⚠️ **WARNING:** ONCE YOU COCK YOUR WRATH 430 COMPOUND CROSSBOW, YOU WILL NEED TO FIRE AN ARROW TO SAFELY DE-COCK IT.

⚠️ **WARNING:** ONLY COCK YOUR WRATH 430 IF YOU ARE IN A PLACE AND SITUATION IN WHICH FIRING AN ARROW IS DESIRED.

⚠️ **WARNING:** DRY FIRING OR ATTEMPTING TO MANUALLY DE-COCK THE WRATH 430 USING YOUR HANDS, THE ROPE COCKER, OR APPROVED CRANKING DEVICE MAY CAUSE YOU SERIOUS INJURY AND/OR DAMAGE THE CROSSBOW.

⚠️ **WARNING:** LEAVING THE WRATH 430 COCKED FOR AN EXTENDED LENGTH OF TIME IS UNSAFE AND CAN DAMAGE THE CROSSBOW.

To cock your Wrath 430, first check that the safety switch (Part 20) is set to (F)IRE. If the trigger is locked, the safety switch is in the (S)AFE position and the Wrath 430 will NOT COCK. (The safety will automatically engage when the crossbow is cocked.)

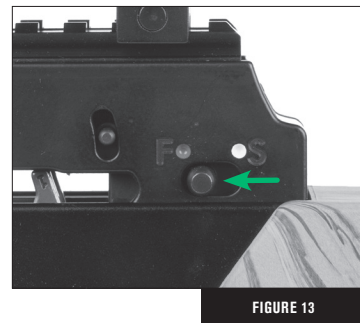
To disengage the safety for cocking, lift the cocking preparation switch (Part 21) and slide the safety switch forward to the (F)IRE position. Only use the cocking preparation switch to disengage the safety for cocking.

⚠️ **CAUTION:** IF YOU USE THE COCKING PREPARATION SWITCH WHILE THE CROSSBOW IS COCKED, YOU WILL DISENGAGE THE ANTI-DRY FIRE MECHANISM, WHICH IS UNSAFE AND MAY RESULT IN SERIOUS INJURY.

The safety is disengaged and the crossbow is ready to be cocked when the safety switch has moved from the (S)AFE position, under the white dot, to the (F)IRE position, under the red dot, as illustrated in Figure 13.

Next, confirm that your flight rail (Part 10) is properly lubricated. To lubricate your flight rail, rub a little bit of the included rail lube on each side of the flight rail. Using your finger, wipe the lube along the flight rail on both sides, to cover its length up to the string stops (Part 19). We recommend you apply rail lube every 12 to 15 shots.

⚠️ **WARNING:** THE WRATH 430 IS MOST SAFELY AND EASILY COCKED USING THE ROPE COCKER OR CRANKING DEVICE SUPPLIED. USE OF ANY OTHER ROPE COCKER OR CRANKING DEVICE MAY BE UNSAFE AND MAY DAMAGE YOUR CROSSBOW.



Section 5: Using Your Wrath 430 (continued)

Set the folding stirrup (Part 8) on the ground in the fully extended position and place either of your feet securely through it.

Place the center of the included rope cocker in the rope groove (Part 22) found just above where the butt stock connects to the stock.

Hook the rope cocking sled (Part F), face up, onto the bowstring (Part 3), so that the sled flanks the flight rail (Part 10). See Figure 14.

Pull both T-shaped handles of the rope cocker up simultaneously while pressing down into the stirrup. Doing this will draw the bowstring under the ball bearing retention spring (Part 11) and into the trigger mechanism. When the crossbow is successfully cocked, the bowstring will be captured by the trigger latch and the safety switch will automatically click from (F)IRE to the (S)AFE position. See Figures 15 and 16.

When you hear the safety engage, slowly and carefully ease off of the tension you're putting on the rope cocker. If the crossbow is correctly cocked, the trigger latch will hold the bowstring. If the bowstring remains free, continue pulling up on the rope cocker until the crossbow is cocked.

⚠️ **CAUTION:** COCKING THE WRATH 430 ENGAGES THE TENSION OF THE BOWSTRING AND CABLES AND REQUIRES EFFORT. IF YOU NEED TO RELEASE THIS TENSION BEFORE THE CROSSBOW IS FULLY COCKED, DO SO SLOWLY AND CAREFULLY TO AVOID INJURY TO THE USER OR DAMAGE TO THE CROSSBOW.

Remove the cocking sled from the bowstring and the rope from the rope groove. Your Wrath 430 is now cocked and ready for loading.

COCKING THE WRATH 430 USING THE SILENT CRANK

Please see the Wrath Silent Cranking device user manual for instructions on cocking the Wrath 430 using that device.

ENGAGING THE SAFETY

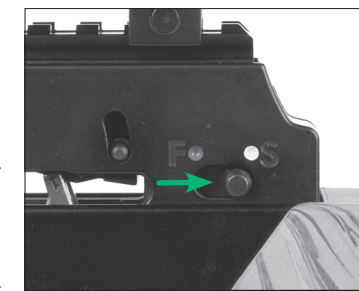
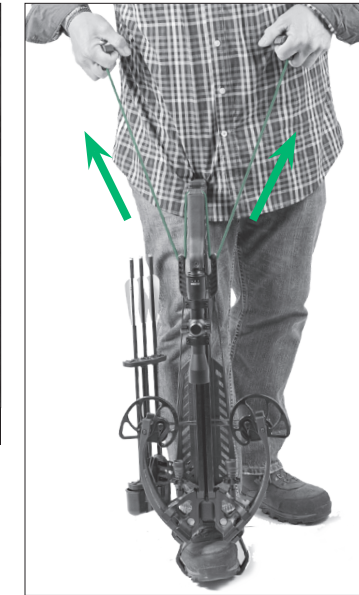
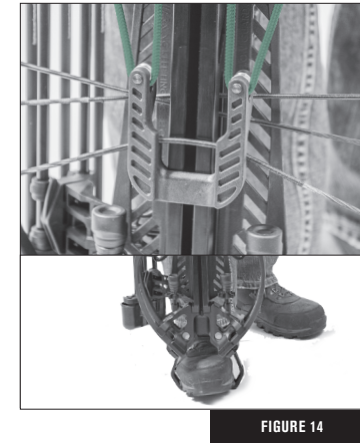
When properly engaged, the Wrath 430 Compound Crossbow safety disables the trigger and prevents accidental firing. The safety is automatically engaged when the crossbow is cocked.

⚠️ **CAUTION:** NEVER RELY ON A MECHANICAL DEVICE, SUCH AS THE SAFETY, TO REPLACE SAFE HANDLING PRACTICES. ALWAYS HANDLE A CROSSBOW AS IF THE SAFETY WAS NOT ENGAGED. LIKE ALL MECHANICAL DEVICES, A CROSSBOW SAFETY CAN FAIL.

Before loading an arrow, make sure the safety is engaged. When the safety is engaged, the safety switch will be under the (S)AFE position and the white dot (Fig. 17).

To manually engage the safety, slide the safety switch (Part 20) backwards until you hear and feel the safety switch click into place. Confirm that the safety switch has moved from under the (F)IRE position and the red dot to under the (S)AFE position and the white dot, as illustrated in Figure 17.

⚠️ **WARNING:** IF, FOR ANY REASON, THE SAFETY SWITCH WILL NOT FULLY CLICK INTO THE (S)AFE POSITION WHILE THE CROSSBOW IS COCKED, SAFELY DE-COCK THE CROSSBOW BY FIRING AN ARROW AT A SAFE TARGET. DO NOT USE THE CROSSBOW OR ATTEMPT TO COCK IT. PLEASE CALL CENTERPOINT ARCHERY CUSTOMER SERVICE AT (866) 726-1122 TO ARRANGE FOR AUTHORIZED REPAIR.



Section 5: Using Your Wrath 430 (continued)

LOADING THE WRATH 430

⚠ WARNING: ALWAYS KEEP THE SAFETY SET TO (S)AFE UNTIL YOU ARE READY TO FIRE.

Before loading an arrow into the Wrath 430, check to see that the safety switch is set to (S)AFE and the crossbow is aimed in a safe direction.

Make sure that the arrow you are loading is undamaged and approved for use with the Wrath 430. Only use 20" arrows with a half moon nock with a finished weight at or above 400 grains.

To load the Wrath 430, hold an arrow between two fingers near its broadhead or field point, keeping your hands away from the nock end. Doing this allows you to load your crossbow without placing any Part of your hand in the path of the bowstring, as illustrated in Figure 18.

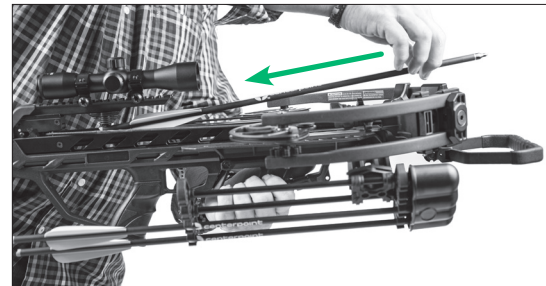


FIGURE 18

⚠ WARNING: ALWAYS KEEP YOUR HANDS, FINGERS, AND ALL OTHER BODY PARTS OUT OF THE TRAVEL PATH OF THE BOWSTRING AND CABLES WHEN THE CROSSBOW IS COCKED. FAILURE TO FOLLOW THIS WARNING COULD LEAD TO SERIOUS INJURY OR DEATH.

With the odd colored fletching face down in the flight groove, slide the nock back towards the trigger assembly until it fully connects with the bowstring. In the included arrows, the odd colored fletching is white.

DISENGAGING THE SAFETY

With the crossbow aimed in a safe direction and an arrow loaded, slide the safety switch (Part 20) forwards until you hear and feel the safety switch click off. The safety is disengaged and the crossbow is ready to be cocked or fired when the safety switch has moved from under the (S)AFE position and the white dot, to under the (F)IRE position and the red dot, as illustrated in Fig. 13 on page 4.

CAUTION: DO NOT USE THE COCKING PREPARATION SWITCH (PART 21) TO DISENGAGE THE SAFETY IF THE CROSSBOW IS COCKED OR YOU WILL TURN OFF THE ANTI-DRY FIRE MECHANISM. ONLY USE THIS SWITCH TO DISENGAGE THE SAFETY IF THE CROSSBOW IS SET TO (S)AFE AND YOU WANT TO COCK THE CROSSBOW.

AIMING AND FIRING THE WRATH 430

⚠ WARNING: NEVER PLACE ANY PART OF YOUR BODY (INCLUDING HANDS OR FINGERS) INTO THE TRAVEL PATH OF THE BOWSTRING OR CABLES. KEEP YOUR FRONT HAND ON THE FOREGRIP OF THE STOCK BELOW THE TRAVEL PATH OF THE STRING AND CABLES AT ALL TIMES (SEE FIGURE 19). FAILURE TO FOLLOW THIS WARNING COULD LEAD TO SERIOUS INJURY OR DEATH.

(For instructions on sighting through and adjusting the included scope, see the included Scope Owner's Manual.)

Before firing your Wrath 430, confirm:

- you are aimed at a safe target and aware of what is potentially behind your target;
- you and others around you are wearing suitable eye protection;
- all parts of your body, including your hands, fingers, and thumbs are clear of the travel path of the bowstring and cables;
- you are not aimed at a hard surface or the surface of water, as arrows may ricochet and hit an unintended target;
- the limbs and cams of the crossbow have adequate clearance to expand upon firing. When you fire, they will release away from the stock with great force and can cause injury to anyone or damage to anything they come in contact with, or become damaged themselves; and the safety switch is set to (S)AFE



FIGURE 19



FIGURE 20

With the cocked and loaded crossbow pointed at your target, place the butt stock (Part 23) against the shoulder of your dominant arm, your non-dominant hand on the foregrip (Part 15), and your dominant hand on the grip, with your fingers outside of the trigger guard. All parts of both hands, fingers, and thumbs should be below the finger guards (Part 24) and out of the travel path of the

Section 6: Maintaining Your Wrath 430

bowstring, as illustrated in Figures 19 and 20.

With the crossbow still aimed at a safe target, release the safety by pushing the safety switch forward from (S)AFE to (F)IRE. You will hear a "click" when the safety has been fully disengaged.

Your Wrath 430 Compound Crossbow is now ready to fire. To release an arrow, double-check you are safe to fire, place your finger on the trigger, and pull the trigger back smoothly.

NEVER DRY FIRE THE CROSSBOW. See Section 5 for instructions on how to safely de-cock your Wrath 430.

DO NOT MODIFY THE Wrath 430 IN ANY WAY. Attempts to modify the Wrath 430 Compound Crossbow in a way not covered by this Owner's Manual may render the crossbow unsafe and/or result in serious injury or death. Modification of the Wrath 430 will void the warranty.

ALWAYS check the crossbow thoroughly for worn, damaged, loose, or missing parts prior to use. If your Wrath 430 is worn or damaged, call customer service for assistance before using the crossbow.

If you drop the crossbow, inspect the bow for damage and then, during the cocking process, make certain that everything feels and behaves as normal before use. If anything feels as if it has changed, STOP immediately. Discontinue use of the crossbow until it has been inspected by a professional.

To prevent rust and corrosion, periodically place a light coat of silicon-based lubricant on all metal parts.

To reduce bowstring fraying and wear, rub a little of the included rail lube on each side of the flight rail. Using your finger, wipe the lube along the flight rail, on top of both sides, to cover its length up to the string stops (Part 19). We recommend you apply rail lube after every 12 to 15 shots.

You should also lubricate the bowstring with bowstring wax (not included). First, clean off any old, built up wax, but DO NOT wax the specially wrapped center section of bowstring, called the serving, which comes in contact with the flight rail. Waxing the serving may cause a buildup of wax in the trigger mechanism. Once you have applied bowstring wax, rub it in gently using first your fingers and then a clean cloth. **Never attempt to apply bowstring wax while the crossbow is in the cocked or loaded position.**

When your bowstring begins to look worn or frayed, it needs to be changed using a bow press. Contact an archery shop to have this service handled professionally. It cannot be done without professional equipment.

Before firing any arrow, inspect it carefully for wear, damage, or nicks. Even small flaws or minor damage can cause an arrow to shatter explosively when fired from a crossbow, causing you and those nearby severe injury. Dispose of all damaged arrows properly and as required by local laws and regulations.

Store your crossbow in a cool, dry place.

Protect your crossbow from excessive heat, such as that encountered in an automobile trunk on a hot day or near furnace vents.



SPECIFICATIONS

FPS	Up to 430 Feet Per Second	OPTICS	4x32 mm Illuminated Scope
DRAW WEIGHT	200 lbs.	SAFETY	Automatic, Ambidextrous
KINETIC ENERGY	164 ft. lbs.	MASS WEIGHT	8.3 lbs.
POWER STROKE	15 in.	LENGTH	28.26 in.
LIMBS	Compression Fiberglass Quad Limbs	AXLE TO AXLE WIDTH	9 in. Cocked, 13 in. Uncocked
STOCK	Composite	ARROW	20"—400 gr. with Half Moon Nock
RISER/RAIL	Aluminum		

LIMITED WARRANTY FOR CENTERPOINT CROSSBOWS

Your CenterPoint® crossbow is warranted to be free of defects in materials and workmanship for 5 years from the date of purchase. This warranty is not transferable and as such is limited to the original owner. This warranty does not cover damages due to fair wear and tear, failure to provide routine maintenance, and does not include cables, strings, or accessories. In the event of a defect under this warranty, CenterPoint Archery will, at our option, repair or replace the product provided our inspection indicates that an original defect exists. CenterPoint reserves the right to replace any product which is no longer available with a product of comparable value and function. If CenterPoint determines the repair is not covered under the warranty guidelines, there could be a charge to you for the repair. This is a limited warranty and does not cover damages caused by dry fire, misuse, improper handling, or installation or maintenance provided by someone other than a CenterPoint Authorized Service Station.

THIS LIMITED WARRANTY DOES NOT INCLUDE CONSEQUENTIAL DAMAGES, INCIDENTAL DAMAGES, OR INCIDENTAL EXPENSES, INCLUDING DAMAGE TO PROPERTY OR ANY OTHER EXPENSE. CENTERPOINT DISCLAIMS ANY IMPLIED WARRANTIES, INCLUDING THE IMPLIED WARRANTIES OF MERCHANTABILITY AND FITNESS. SOME STATES DO NOT ALLOW THE EXCLUSION OR LIMITATION OF INCIDENTAL OR CONSEQUENTIAL DAMAGES, OR ALLOW LIMITATIONS ON IMPLIED WARRANTIES SO THE ABOVE LIMITATIONS OR EXCLUSIONS MAY NOT APPLY TO YOU. TO THE EXTENT ANY PROVISION OF THIS WARRANTY IS PROHIBITED BY FEDERAL, STATE, OR MUNICIPAL LAW, WHICH CANNOT BE PREEMPTED, IT SHALL NOT BE APPLICABLE. THIS WARRANTY GIVES YOU SPECIFIC LEGAL RIGHTS, AND YOU MAY ALSO HAVE OTHER RIGHTS, WHICH VARY FROM STATE TO STATE AND COUNTRY TO COUNTRY.

STOP – BEFORE YOU RETURN THIS PRODUCT TO THE STORE:

Contact our Customer Service representatives for help at (866) 726-1122 or through centerpointarchery.com.

WARRANTY CLAIMS / REPAIR SERVICE

If your product needs repair, DO NOT ATTEMPT TO DISASSEMBLE IT. Any disassembly or modification not performed by a CenterPoint Authorized Service Station will void the warranty.

U.S. Customers: Contact CenterPoint Customer Service through centerpointarchery.com/contact/, or at the below mailing address. We'll let you know where and how to send in your CenterPoint product for repair or replacement under warranty, or refer you to an authorized service center.

CenterPoint Archery
Attn: Warranty Dept.
3535 Tower Ave
Superior, WI 54880

If instructed to ship your CenterPoint product for warranty repair or replacement, please include your product, a copy of your receipt, and a brief written description of the problem you've encountered. Be sure to also include your name, mailing address, email address, and telephone number inside the package.

We strongly recommend insuring your shipment and using a service that provides a tracking number. CenterPoint is not liable for any merchandise damaged, lost, or stolen during shipping to or from CenterPoint.

Please allow from 2 to 4 weeks for warranty repair or replacement.

Canadian Customers: For warranty service, please contact the Gravel Agency in Quebec at (866) 662-4869.

Customers Outside of the U.S. or Canada: For warranty service, please contact the dealer or distributor from whom you purchased your CenterPoint product. If you do not know or cannot contact your dealer or distributor, our International Department may be reached for assistance at (585) 657-6161 or through centerpointarchery.com.



CenterPoint Archery
3535 Tower Ave.
Superior, WI 54880
United States of America
1.866.726.1122
centerpointarchery.com

Made in Taiwan

CENTERPOINT, the CENTERPOINT logo, WRATH, and Power Draw are trademarks of Crosman Corporation.
© 2020 Crosman Corporation 11-20 OM



WRATH® 430

BALLESTA COMPUESTA

[Manual del usuario](#)



AXGPABP43OPD-515



BIENVENIDO

Nos sentimos honrados de que haya seleccionado la Ballesta Compuesta Wrath 430. Sea esta ballesta un regalo para usted o una forma de ayudar a dar la bienvenida a los demás al modo de vida de los cazadores, confiamos en que dejará una impresión.

Una vez que se ensamble su contenido, esta caja contiene todo lo que necesita para comenzar, excepto un blanco aprobado para ballestas. Para la cacería, recomendamos una punta ancha de 100 granos, que se puede unir a las flechas de carbono incluidas y que son del peso y tamaño correctos para su uso con la Wrath 430.

Para su seguridad:

LEA TODO ESTE MANUAL DEL PROPIETARIO ANTES DE USAR SU BALLESTA COMPUESTA Wrath 430.

Las ballestas –incluida la Wrath 430– están diseñadas para cazar y tirar al blanco. Si se usan de forma incorrecta o descuidada, pueden causarles heridas o la muerte a usted y a los que le rodean. Queremos que haga su mejor disparo y sólo su mejor disparo. ¡SEA CUIDADOSO–DISPARE CON SEGURIDAD!

Si esta es su primera ballesta de CenterPoint, quizás le convenga alguna orientación adicional antes del primer amartillado, carga o disparo de su Wrath 430. Si tiene alguna pregunta o inquietud sobre este producto, su montaje adecuado o uso seguro, no dude en ponerse en contacto con nosotros a través de centerpointarchery.com/contact-support. Nuestros expertos en servicio al cliente están disponibles de lunes a viernes, de 9 AM a 4:30 PM CST y estamos encantados de ayudarle.

BIENVENIDO A LA FAMILIA CENTERPOINT

Usted nació para esto.

⚠️ ADVERTENCIA: SE RECOMIENDA ÚNICAMENTE PARA USO DE ADULTOS. EL USO INCORRECTO O DESCUIDADO PUEDE CAUSAR LESIONES GRAVES O LA MUERTE. LEA TODAS LAS INSTRUCCIONES ANTES DE USARLA. CONSERVE LAS INSTRUCCIONES Y EL MANUAL DE SEGURIDAD PARA CONSULTARLOS MÁS ADELANTE.

⚠️ ADVERTENCIA: CUANDO AMARTILLE UNA BALLESTA, MANTENGA SIEMPRE LAS MANOS, LOS DEDOS Y LOS PULGARES FUERA DE LA TRAYECTORIA DE RECORRIDO DE LA CUERDA DEL ARCO Y LOS CABLES, Y POR DEBAJO DEL RIEL.

⚠️ ADVERTENCIA: EL COMPRADOR Y EL USUARIO TIENEN EL DEBER DE OBEDEGER TODAS LAS LEYES ACERCA DEL USO Y PROPIEDAD DE ESTA BALLESTA.

⚠️ ADVERTENCIA: ESTE PRODUCTO PUEDE EXPONERLE A SUSTANCIAS QUÍMICAS, ENTRE ELLAS EL PLOMO, QUE EL ESTADO DE CALIFORNIA HA DETERMINADO QUE OCASIONAN CÁNCER Y DEFECTOS CONGÉNITOS U OTROS DAÑOS REPRODUCTIVOS. PARA OBTENER MÁS INFORMACIÓN, VAYA A WWW.P65WARNINGS.CA.GOV.

Sección 1: Seguro

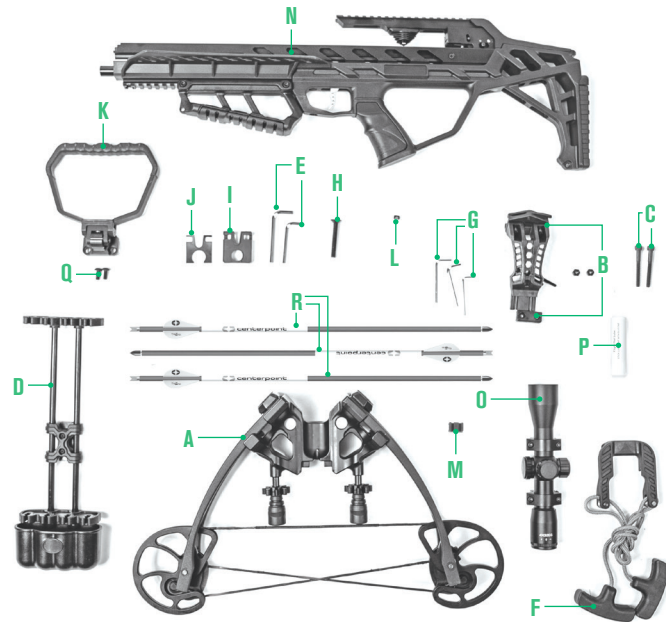
- No deje de leer esta página. Las siguientes reglas son esenciales para el uso y mantenimiento seguros de la ballesta.
- Trate SIEMPRE a la ballesta como si estuviera cargada y lista para disparar.
- Trate SIEMPRE a la ballesta con el mismo respeto que le tendría a un arma de fuego.
- Guarde SIEMPRE la ballesta descargada y lejos de los niños.
- Asegúrese SIEMPRE de que esta ballesta esté descargada y que su interruptor del seguro esté ajustado en SAFE (seguro activado) antes de transferirla hacia o desde otra persona, o sacarla del almacenamiento.
- Mantenga SIEMPRE el interruptor del seguro de esta ballesta en SAFE (seguro activado) hasta que esté listo para disparar.
- Asegúrese SIEMPRE de su blanco y lo que está potencialmente detrás de su blanco.
- Compruebe SIEMPRE el desgaste de su respaldo de arquería antes y después de cada uso. Todos los respaldos de blancos están sujetos a desgaste y con el tiempo fallarán. Reemplace el respaldo de su blanco si la superficie está desgastada o dañada.
- Antes de disparar, revise SIEMPRE la ballesta minuciosamente en busca de piezas desgastadas, dañadas, sueltas o faltantes.
- Antes de disparar, revise SIEMPRE cuidadosamente su dispositivo de amartillado de sogá, en busca de piezas desgastadas, dañadas, sueltas o faltantes.
- Inspeccione SIEMPRE sus flechas con regularidad. Disparar una flecha dañada puede causarles lesiones graves a usted o a las personas cercanas. Cualquier flecha mellada, abollada, partida o astillada debe desecharse inmediatamente.
- Mantenga SIEMPRE las manos, los dedos y los pulgares fuera de la trayectoria de recorrido de la cuerda del arco y los cables, y por debajo del riel cuando se amartille una ballesta.
- Antes de disparar, asegúrese SIEMPRE de que las palas de la ballesta no puedan golpear a ningún obstáculo. Disparar permitirá que las palas se descompriman con una fuerza drástica. Si hacerlo provoca que las palas de la ballesta golpeen un obstáculo, la ballesta y el obstáculo pueden sufrir daños significativos.
- Use SIEMPRE gafas de seguridad cuando utilice cualquier tipo de arco.
- NUNCA utilice esta ballesta con un blanco que no esté diseñado para su uso con una ballesta. Las flechas disparadas desde esta ballesta pueden penetrar fácilmente blancos inferiores y respaldos desgastados.
- NUNCA amartille ni cargue la ballesta sino hasta que esté listo para disparar.
- NUNCA apunte la ballesta a ninguna persona o cosa a las que no tenga intención de dispararles.
- NUNCA confíe en el seguro automático de esta ballesta o en cualquier otro dispositivo mecánico como reemplazo para las prácticas de manipulación segura.
- NUNCA coloque el dedo en el gatillo o dentro del guardamonte sino hasta que esté listo para disparar.
- NUNCA dispare la ballesta en seco. Disparar sin una flecha dañará su ballesta y podría herirle.
- NUNCA dispare una flecha, dardo o proyectil con esta ballesta excepto los recomendados por CenterPoint para su uso con la ballesta compuesta Wrath 430. Disparar proyectiles no recomendados podría dar como resultado lesiones o que se dañe la ballesta. En una ballesta compuesta Wrath 430, cargue ÚNICAMENTE flechas de 20" con culatín de media luna y con un peso acabado de 400 granos o más.
- NUNCA amartille su ballesta más allá de su golpe de potencia máximo o puede dañar sus palas, los cables o la cuerda de arco.
- NUNCA use la mano, el amartillador de cuerda o el dispositivo tensor de manivela aprobado para desamartillar esta ballesta, ya que puede causarles lesiones graves a usted o dañar la ballesta.
- NUNCA intente desmontar o manipular esta ballesta, ya que se requieren herramientas especiales. Póngase en comunicación con una tienda de arquería para obtener ayuda. Intentar modificar esta ballesta de cualquier manera que no esté descrita en este Manual del Propietario puede hacer que sea insegura y anulará la garantía.

Sección 2: Conozca la Wrath 430

LISTA DE PIEZAS

Compruebe que todas las piezas estén presentes antes de intentar el ensamblado.

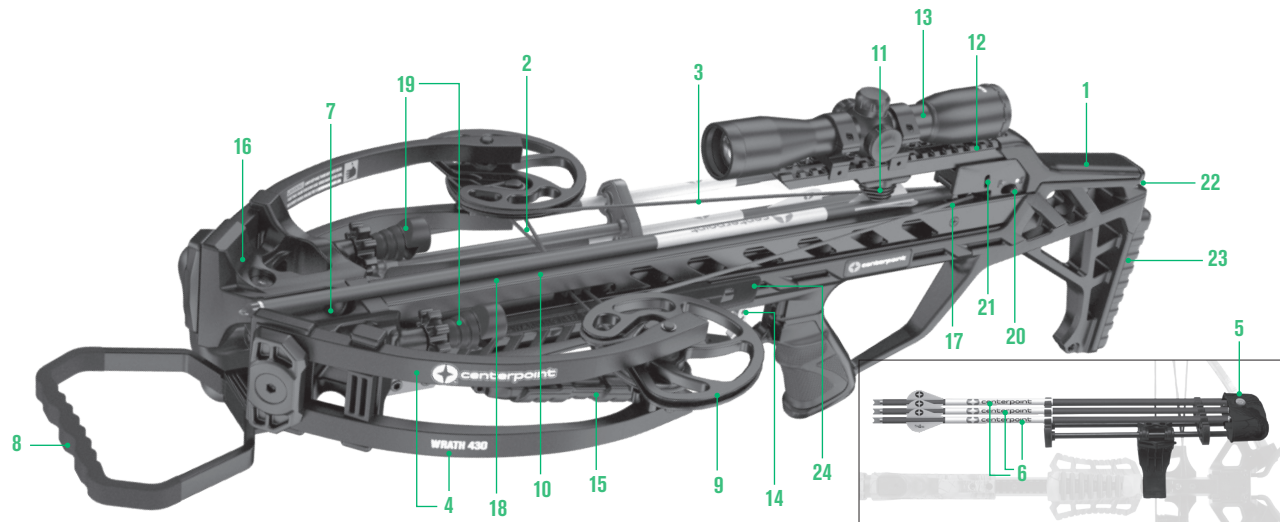
- | | | | |
|--|---|--|---|
| A. Palas y conjunto de la empuñadura (con cuerdas y cables) | E. Llaves hexagonales del carcaj (2) | J. Almohadilla de la tapa conjunta | O. Mira iluminada 4x32 y anillos |
| B. Montura del carcaj (2 pzs) | F. Amartillador de cuerda | 11. Estribo plegable | P. Lubricación del riel |
| C. Tornillos de la montura del carcaj (2) | G. Llaves hexagonales de ensamblado | L. Tornillo bloqueante del perno de la empuñadura | Q. Tornillos de montaje del estribo 1/4-20x1/2" |
| D. Carcaj | H. Perno de la empuñadura | M. Deslizador de cable | R. Dos flechas de carbono de 20" con culatines de media luna y puntos de campo |
| | I. Tapa conjunta | N. Cuerpo principal de la ballesta (culata/cañón) | |



LAS PARTES DE UNA BALLESTA WRATH 430

Familiarizarse con la terminología utilizada para describir las partes de una ballesta le ayudará durante el ensamblado. Este esquema muestra una ballesta compuesta Wrath 430 completamente montada, amartillada y cargada.

- | | | | |
|------------------------|---|---------------------------------|--|
| 1. Culata | 7. Bolsillo de la pala | 13. Mira | 19. Amortiguador de la cuerda |
| 2. Cables | 8. Estribo de pie | 14. Gatillo | 20. Interruptor del seguro |
| 3. Cadena | 9. Leva | 15. Empuñadura delantera | 21. Interruptor de preparación de amartillado |
| 4. Pala abierta | 10. Riel de vuelo | 16. Mango del arco | 22. Ranura de la cuerda |
| 5. Carcaj | 11. Muelle de retención de los rodamientos | 17. (Centro) Forro | 23. Riel de vuelo |
| 6. Flechas | 12. Puente de mira | 18. Ranura de vuelo | 24. Protector de dedos |



Sección 3: Montaje de su Wrath 430



Visite centerpointarchery.com/wrath-430-silent-crank#dm para encontrar un video útil que le guiará a través del ensamblado de la Wrath 430, paso a paso.

Le llevará unos 30 minutos montar correctamente su ballesta compuesta Wrath 430. Más allá de los materiales y herramientas suministrados, también necesitará un destornillador de cabeza plana. Siga en orden los pasos que aparecen a continuación:

1 Instalación del elevador

1a Fije el deslizador en los cables. El deslizador de los cables tiene un espacio más grande de un lado para deslizarse correctamente sobre el riel. (Fig. 3)

1b Deslice el deslizador del cable en la abertura al extremo del carril mientras desliza la cuerda hacia abajo por la parte superior del mismo. (Fig. 4)

1c Deslice la tapa conjunta sobre el carril. Deslice la cubierta de la articulación sobre el cañón. (Fig. 4)

1d Deslice el elevador sobre el carril. Instale y apriete el perno elevador con la llave hexagonal. Inserte el tornillo de fijación del perno elevador para evitar que dicho perno se afloje. Apriételo con la llave hexagonal. (Fig. 5 y 6)

1 Instalación del estribo

1a Fije el estribo plegable a la parte inferior de la empuñadura con los 2 tornillos allen como se muestra en la Fig. 7 y la Fig. 8

IMPORTANTE: Asegúrese de que la unidad del arco esté asegurada firmemente antes de acoplar la ballesta. Es posible que tengan que volver a apretarse los pernos de montaje periódicamente después del uso.

2 Montaje de la aljaba

The Wrath 430 viene con un montaje de aljaba paralelo. Puede montarse al lado izquierdo o derecho de la ballesta.

2a Afloje los tornillos del soporte de montaje y fíjela en el riel picatinny bajo el cañón, frente al guardamano.

2b Fije la montura de desconexión rápida de la aljaba en el extremo de la abrazadera de montaje (Fig. 9).

2c Conecte la aljaba a su montura deslizando las dos monturas para unir las y bloqueándolas en su sitio con la palanca de bloqueo.

2d Asegúrese de que la aljaba esté bloqueada y fija.

3 Instalar la mira

3a Posicione la mira moviéndola hacia delante o hacia atrás hasta encontrar el espacio adecuado para el ojo. Esto es habitualmente tres o cuatro pulgadas del ojo al ocular cuando sostiene la ballesta en posición de tiro. (Fig. 10)

3b Alinee la montura de la mira con las ranuras del puente de la mira.

3c Alinee los tornillos con las ranuras del riel y apriete las cabezas de los tornillos con un destornillador (no incluido). (Fig. 10)

3d Instale los anillos de montaje de la mira usando los tornillos correspondientes (4) (Fig. 10)

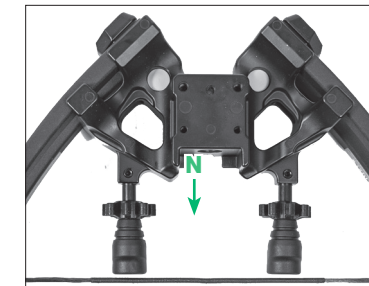


FIGURA 3

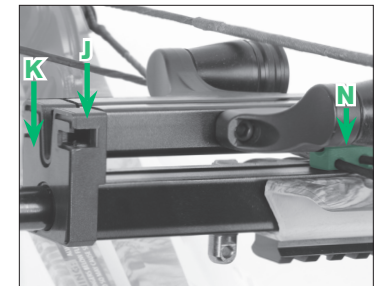


FIGURA 4

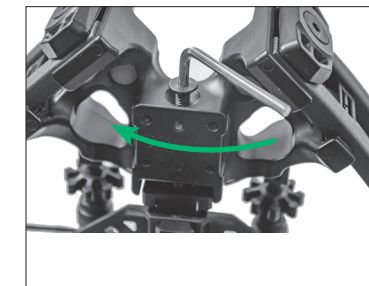


FIGURA 5

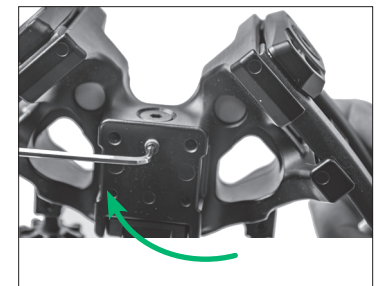


FIGURA 6

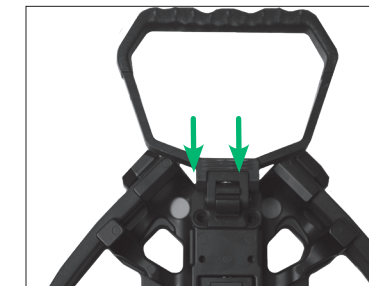


FIGURA 7

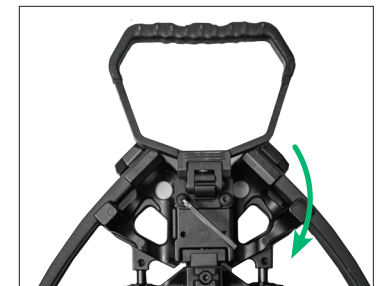


FIGURA 8

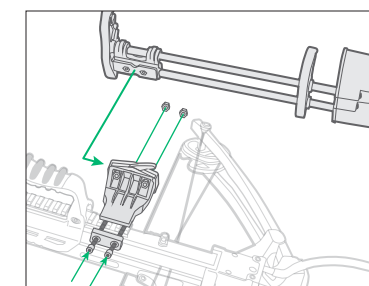


FIGURA 9



FIGURA 10

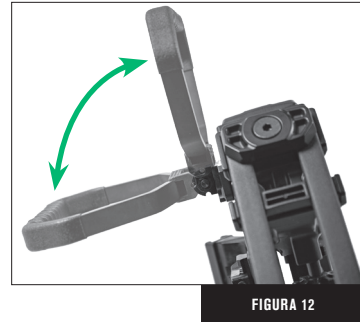
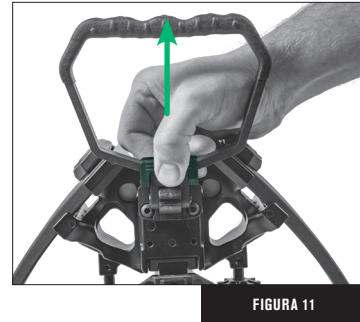


Sección 4: Ajuste de su Wrath 430

- ADVERTENCIA:**
- ASEGÚRESE SIEMPRE DE QUE EL ESTRIBO PLEGABLE ESTÉ COLOCADO EN LA POSICIÓN TOTALMENTE EXTENDIDA ANTES DE AMARTILLAR LA BALLESTA.
 - NUNCA INTENTE AJUSTAR LA POSICIÓN DEL ESTRIBO PLEGABLE EN UNA BALLESTA CARGADA.

AJUSTE DEL ESTRIBO PLEGABLE

1. Asegúrese SIEMPRE de que la ballesta esté DESCARGADA y que el interruptor del seguro esté en posición (S)EGURA.
2. Para girar la posición del estribo plegable desde la posición de extensión total, levante la palanca de liberación del estribo que se encuentra en la base del estribo de amartillado (Fig. 11).
3. Gire el estribo plegable a la posición hacia abajo o a la posición completamente oculta (Fig. 12).
4. Una vez que el estribo plegable esté en la posición deseada, suelte la palanca de liberación del estribo de amartillado y compruebe dos veces a fin de asegurarse de que el estribo esté totalmente bloqueado en su sitio.



Sección 5: Uso de su Wrath 430

AMARTILLADO DE LA WRATH 430

- ADVERTENCIA:** UNA VEZ QUE AMARTILLE SU BALLESTA COMPUESTA WRATH 430, TENDRÁ QUE DISPARAR UNA FLECHA PARA DESAMARTILLARLA CON SEGURIDAD.

- ADVERTENCIA:** SÓLO AMARTILLE SU WRATH 430 SI ESTÁ EN UN LUGAR Y SITUACIÓN EN LA QUE SE DESEA DISPARAR UNA FLECHA.

- ADVERTENCIA:** EL DISPARO EN SECO O EL INTENTO DE DESAMARTILLAR MANUALMENTE LA WRATH 430 USANDO SUS MANOS, EL AMARTILLADOR DE CUERDA O EL DISPOSITIVO TENSOR APROBADO PUEDE CAUSARLE LESIONES GRAVES O DAÑAR LA BALLESTA.

- ADVERTENCIA:** DEJAR LA WRATH 430 AMARTILLADA DURANTE UN LARGO PERÍODO DE TIEMPO NO ES SEGURO Y PUEDE DAÑAR LA BALLESTA.

Para amartillar su Wrath 430, primero compruebe que el interruptor del seguro (Parte 20) esté ajustado en (F)IRE (Fuego). Si el gatillo está bloqueado, el interruptor del seguro está en la posición (S)AFE (seguro activado) y la Wrath 430 NO SE AMARTILLARÁ. (El seguro se activará automáticamente cuando la ballesta esté amartillada).

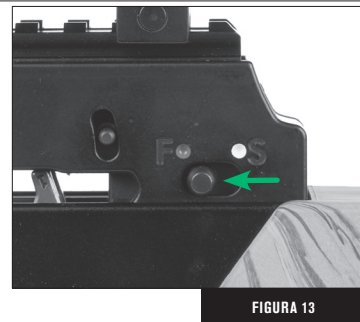
Para desactivar el seguro del amartillado, levante el interruptor de preparación de amartillado (Parte 21) y deslice el interruptor del seguro hacia adelante hasta la posición (F)IRE (Fuego). Utilice únicamente el interruptor de preparación de amartillado para desactivar el seguro con objeto de amartillar.

PRECAUCIÓN: SI UTILIZA EL INTERRUPTOR DE PREPARACIÓN DE AMARTILLADO MIENTRAS LA BALLESTA ESTÁ AMARTILLADA, DESCONECTARÁ EL MECANISMO ANTIDISPARO EN SECO, LO CUAL NO ES SEGURO Y PUEDE DAR COMO RESULTADO LESIONES GRAVES.

El seguro está desactivado y la ballesta está lista para amartillarse cuando el interruptor del seguro se ha movido de la posición (S)AFE (Seguro activado), bajo el punto blanco, a la posición (F)IRE (Fuego), bajo el punto rojo, como se ilustra en la Figura 13.

A continuación, confirme que el riel de vuelo (Parte 10) esté correctamente lubricado. Para lubricar su riel de vuelo, frote a cada lado del riel de vuelo un poco del lubricante de riel incluido. Con el dedo, pase el lubricante a lo largo del riel de vuelo en ambos lados, para cubrir su longitud hasta los topes de la cuerda (Parte 19). Le recomendamos que aplique lubricante de riel cada 12 a 15 disparos.

- ADVERTENCIA:** LA WRATH 430 ES MÁS SEGURO Y SE AMARTILLA FÁCILMENTE USANDO EL AMARTILLADOR DE CUERDA O DISPOSITIVO DE MANIVELA SUMINISTRADO. EL USO DE CUALQUIER OTRO AMARTILLADOR DE CUERDA O DISPOSITIVO DE MANIVELA PUEDE SER INSEGURO Y PUEDE DAÑAR SU BALLESTA.



Sección 5: Uso de su Wrath 430 (continuación)

Coloque el estribo plegable (Parte 8) en el suelo, en posición totalmente extendida, y ponga cualquiera de sus pies firmemente a través de él.

Coloque en la ranura de la cuerda el centro del amartillador de cuerda que viene incluido (Parte 22) y que se encuentra justo encima de donde la cantonera se conecta a la culata.

Eganche el trineo de amartillado de cuerda (Parte F), boca arriba, en la cuerda del arco (Parte 3), de modo que el trineo flanquee el carril de vuelo (Parte 10). Vea la figura 14.

Tire de las dos asas en forma de T del amartillador de cuerda hacia arriba simultáneamente mientras presiona hacia abajo

en el estribo. Al hacerlo, se tensará la cuerda del arco debajo del muelle de retención del rodamiento (Parte 11) y en el mecanismo de disparo. Cuando la ballesta está correctamente amartillada, la cuerda del arco estará capturada por el pestillo del gatillo y el interruptor del seguro hará clic automáticamente desde (F)IRE (Fuego) a la posición (S)AFE (Seguro activado). Vea las figuras 15 y 16.

Cuando escuche que se activa el seguro, afloje la tensión que está ejerciendo sobre el amartillador de la cuerda. Si la ballesta está correctamente amartillada, el pestillo del gatillo sostendrá la cuerda del arco. Si la cuerda del arco permanece libre, continúe tirando hacia arriba en el amartillador de la cuerda hasta que la ballesta esté amartillada.

PRECAUCIÓN: AMARTILLAR LA WRATH 430 ACTIVA LA TENSIÓN DE LA CUERDA DEL ARCO Y LOS CABLES, Y EXIGE ESFUERZO. SI TIENE QUE LIBERAR ESTA TENSIÓN ANTES DE QUE LA BALLESTA ESTÉ COMPLETAMENTE AMARTILLADA, HÁGALO LENTA Y CUIDADOSAMENTE PARA EVITARLE LESIONES AL USUARIO O DAÑOS A LA BALLESTA.

Retire los ganchos del amartillador de cuerda del arco y la cuerda de la ranura de la cuerda. Su Wrath 430 está ahora amartillada y lista para cargarse.

AMARTILLAR LA WRATH 430 CON LA MANIVELA SILENCIOSA

Consulte el manual del usuario del dispositivo Manivela Silenciosa Wrath para obtener instrucciones sobre cómo amartillar la Wrath 430 con ese dispositivo.

ACTIVAR EL SEGURO

Cuando se activa correctamente, el seguro de la ballesta compuesta Wrath 430 desactiva el gatillo y evita el disparo accidental. El seguro se activa automáticamente cuando la ballesta está amartillada.

PRECAUCIÓN: NUNCA CONFÍE EN UN DISPOSITIVO MECÁNICO, COMO UN SEGURO, PARA SUSTITUIR LAS PRÁCTICAS DE MANIPULACIÓN SEGURO. SIEMPRE MANIPULE UNA BALLESTA COMO SI EL SEGURO NO ESTUVIERA ACTIVADO. COMO TODOS LOS DISPOSITIVOS MECÁNICOS, EL SEGURO DE UNA BALLESTA PUEDE FALLAR.

Antes de cargar una flecha, asegúrese de que el seguro esté activado. Cuando el seguro está activado, el interruptor del seguro estará bajo la posición (S)AFE (Seguro activado) y el punto blanco (Figura 17).

Para activar manualmente el seguro, deslice el interruptor del seguro (Parte 20) hacia atrás hasta que oiga y sienta que encaja en su lugar. Confirme que el interruptor del seguro se ha movido desde debajo de la posición (F)IRE (Fuego) y el punto rojo a debajo de la posición (S)AFE (Seguro activado) y el punto blanco, como se ilustra en la Figura 17.

- ADVERTENCIA:** SI, POR CUALQUIER MOTIVO, EL INTERRUPTOR DEL SEGURO NO HACE CLIC COMPLETAMENTE EN LA POSICIÓN DE (S)AFE (SEGURO ACTIVADO) MIENTRAS LA BALLESTA ESTÁ AMARTILLADA, DESAMARTILLE LA BALLESTA DE FORMA SEGURO DISPARANDO UNA FLECHA A UN BLANCO SEGURO. NO UTILICE LA BALLESTA NI INTENTE AMARTILLARLA. LLAME A SERVICIO AL CLIENTE DE CENTERPOINT ARCHERY AL (866) 726-1122 PARA OBTENER UNA REPARACIÓN AUTORIZADA.

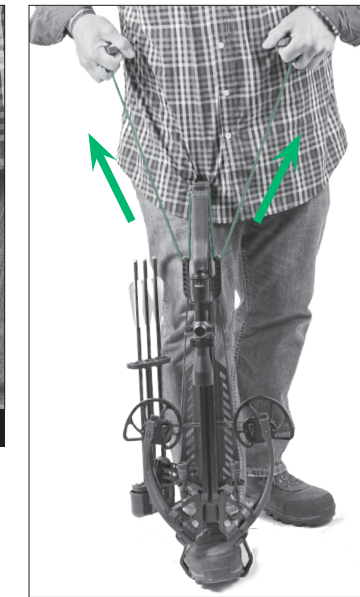
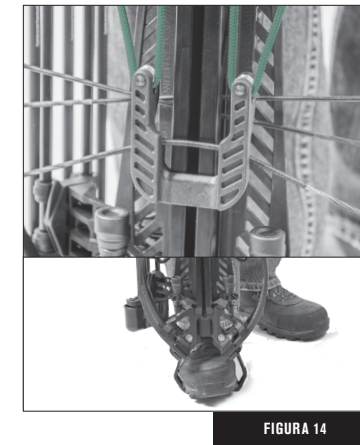


FIGURA 16

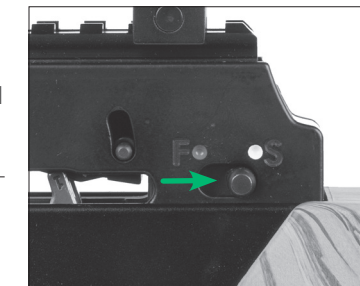


FIGURA 17

Sección 5: Uso de su Wrath 430 (continuación)

CARGA DE LA WRATH 430

⚠ ADVERTENCIA: MANTENGA SIEMPRE AJUSTADO EL SEGURO EN (S)AFE (SEGURO ACTIVADO) HASTA QUE ESTÉ LISTO PARA DISPARAR.

Antes de cargar una flecha en la Wrath 430, compruebe que el interruptor del seguro esté ajustado en (S)AFE (Seguro activado) y que la ballesta esté apuntando en una dirección segura.

Asegúrese de que la flecha que está cargando no esté dañada y sea aprobada para su uso con la Wrath 430. Utilice únicamente flechas de 20" con culatín de media luna y con un peso acabado superior a 400 granos.

Para cargar la Wrath 430, sostenga una flecha entre dos dedos cerca de su punta ancha o punto de campo, manteniendo las manos alejadas del extremo del culatín. Esto le permite cargar su ballesta sin poner ninguna parte de su mano en el camino de la cuerda del arco, como se ilustra en la Figura 18.

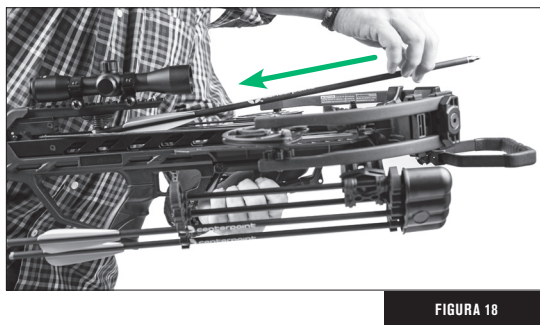


FIGURA 18

⚠ ADVERTENCIA: CUANDO SE AMARTILLA UNA BALLESTA, MANTENGA SIEMPRE LAS MANOS, LOS DEDOS Y TODAS LAS DEMÁS PARTES DEL CUERPO FUERA DE LA TRAYECTORIA DE RECORRIDO DE LA CUERDA DEL ARCO Y LOS CABLES. NO RESPETAR ESTA ADVERTENCIA PUEDE OCASIONAR LESIONES GRAVES O LA MUERTE.

Con el emplumado de color diferente hacia abajo en la ranura de vuelo, deslice el culatín hacia atrás, hacia el conjunto del gatillo, hasta que se conecte completamente con la cuerda del arco. En las flechas incluidas, el emplumado de color distinto es blanco.

DESACTIVAR EL SEGURO

Con la ballesta apuntada en una dirección segura y una flecha cargada, deslice el interruptor del seguro (Parte 20) hacia adelante hasta que oiga y sienta que se desactiva. El seguro está desactivado y la ballesta está lista para ser amartillada o disparada cuando el interruptor del seguro se ha movido desde debajo de la posición (S)AFE (Seguro activado) y el punto blanco, a debajo de la posición (F)IRE (Fuego) y el punto rojo, como se ilustra en la Figura 13 en la página 4.

PRECAUCIÓN: NO UTILICE EL INTERRUPTOR DE PREPARACIÓN DE AMARTILLADO (PARTE 2) PARA DESACTIVAR EL SEGURO SI LA BALLESTA ESTÁ AMARTILLADA, O DESACTIVARÁ EL MECANISMO CONTRA DISPAROS EN SECO. UTILICE ESTE INTERRUPTOR ÚNICAMENTE PARA DESACTIVAR EL SEGURO SI LA BALLESTA ESTÁ AJUSTADA EN (S)AFE (SEGURO ACTIVADO) Y DESEA AMARTILLARLA.

APUNTAR Y DISPARAR LA WRATH 430

⚠ ADVERTENCIA: NUNCA COLOQUE PARTE ALGUNA DEL CUERPO (INCLUIDAS LAS MANOS Y LOS DEDOS) EN EL TRAYECTO DEL RECORRIDO DE LA CUERDA DEL ARCO O LOS CABLES. MANTENGA LA MANO DELANTERA EN TODO MOMENTO EN EL GUARDAMANO DE LA CULATA POR DEBAJO DEL RECORRIDO DE LA CUERDA Y LOS CABLES (VEA LA FIG. 19). NO RESPETAR ESTA ADVERTENCIA PUEDE OCASIONAR LESIONES GRAVES O LA MUERTE.

(Para obtener instrucciones sobre cómo preparar y ajustar la mira que viene incluida, consulte el Manual del propietario de la Mira incluida.)

Antes de disparar su Wrath 430, confirme:

- que está apuntando a un blanco seguro y consciente de lo que está potencialmente detrás de su blanco;
- usted y otras personas a su alrededor están usando una protección adecuada para los ojos;
- todas las partes de su cuerpo, incluidas las manos, los dedos y los pulgares, están fuera de la trayectoria de recorrido de la cuerda del arco y los cables;
- no está apuntando a una superficie dura o a la superficie del agua, ya que las flechas pueden rebotar y golpear un blanco no intencionado;
- las palas y poleas excéntricas de la ballesta tienen un espacio libre adecuado para expandirse al disparar. Cuando dispara, se liberarán alejándose de la culata con gran fuerza y pueden causarles lesiones a cualquier persona o daños a cualquier cosa con la que entren en contacto, o se dañen a sí mismas; y el interruptor del seguro está ajustado en (S)AFE (Seguro)



FIGURA 19



FIGURA 20

Con la ballesta amartillada y cargada apuntando a su blanco, coloque la culata (Parte 23) contra el hombro de su brazo dominante, su mano no dominante en el guardamano (Parte 15), y su mano dominante en la empuñadura, con los dedos fuera del guardamonte. Todas las partes de ambas manos, dedos y pulgares deben estar debajo de los protectores de dedos (Parte 24) y fuera de la trayectoria de recorrido de la cuerda del arco, como se ilustra en las figuras 19 y 20.

Con la ballesta todavía apuntando a un blanco seguro, suelte el seguro empujando el interruptor del seguro hacia adelante desde (S)AFE (Seguro) a (F)IRE (Fuego). Escuchará un "clic" cuando el seguro se haya desenganchado por completo.

Su ballesta compuesta Wrath 430 está ahora lista para disparar. Para soltar una flecha, compruebe dos veces que puede disparar con seguridad, coloque el dedo en el gatillo y tire de éste hacia atrás suavemente.

Sección 6: Mantenimiento de su Wrath 430

NUNCA DISPARE LA BALLESTA EN SECO. Consulte la Sección 5 para obtener instrucciones sobre cómo desamartillar su Wrath 430 de forma segura.

NO MODIFIQUE LA Wrath 430 DE NINGUNA MANERA. Los intentos de modificar la ballesta compuesta Wrath 430 de una manera no cubierta por este Manual del Propietario pueden hacer que la ballesta no sea segura o provocar lesiones graves o la muerte. La modificación de la Wrath 430 anulará la garantía.

SIEMPRE revise la ballesta minuciosamente antes de disparar en busca de piezas desgastadas, dañadas, sueltas o faltantes. Si su Wrath 430 está desgastada o dañada, llame al servicio de atención al cliente para obtener ayuda antes de usar la ballesta.

Si deja caer la ballesta, inspeccione el arco en busca de daños y luego, durante el proceso de amartillado, asegúrese de que todo se sienta y se comporte de la forma normal antes de usarla. Si algo se siente como si hubiera cambiado, DETÉNGASE inmediatamente. Suspenda el uso de la ballesta hasta que haya sido inspeccionada por un profesional.

Aplique periódicamente una ligera capa de lubricante de base de silicona en todas las piezas metálicas a fin de evitar la oxidación y la corrosión.

Para reducir el deshilachado y desgaste de la cuerda del arco, frote a cada lado del riel de vuelo un poco del lubricante de riel que viene incluido. Con el dedo, pase el lubricante a lo largo del riel de vuelo en la parte superior de ambos lados, para cubrir su longitud hasta los toques de la cuerda (Parte 19). Le recomendamos que aplique lubricante de riel después de 12 a 15 disparos.

También debe lubricar la cuerda del arco con cera de cuerda de arco (no incluida). En primer lugar, limpie cualquier cera vieja y acumulada, pero NO encere la sección central de la cuerda del arco que está especialmente envuelta, llamada servidor, que entra en contacto con el riel de vuelo. Encerar el servidor puede causar una acumulación de cera en el mecanismo del gatillo. Una vez que haya aplicado la cera de la cuerda del arco, frótela suavemente con los dedos primero y luego con un paño limpio.

Cuando la cuerda del arco comienza a verse desgastada o deshilachada, debe cambiarse usando una prensa de arcos. Póngase en comunicación con una tienda de tiro con arco para que este servicio se maneje profesionalmente. No se puede hacer sin equipo profesional.

Inspeccione todas las flechas antes de dispararlas para determinar que no tengan desgaste, daños o melladuras. Incluso pequeños defectos o daños menores pueden hacer que una flecha se reviente explosivamente cuando se dispara desde una ballesta, provocándoles lesiones graves a usted y a las personas cercanas. Deshágase correctamente de todas las flechas dañadas y según lo requieran las leyes y regulaciones locales.

Guarde su ballesta en un lugar fresco y seco.

Proteja su ballesta contra el calor excesivo, como el que se encuentra en el maletero de un automóvil en un día caluroso o cerca de los conductos de ventilación de un horno.



ESPECIFICACIONES

FPS	Hasta 430 pies por segundo	ÓPTICA	Mira iluminada de 4x32 mm
FUERZA A LA MÁXIMA APERTURA	200 lb	SEGURO	Automático, ambidiestro
ENERGÍA CINÉTICA	164 ft lb	PESO EN MASA	8,3 lb
CARRERA DE POTENCIA	15 in	LONGITUD	28,26 in
PALAS	Palas quad de fibra de vidrio de compresión	ANCHO DE EJE A EJE	9 in Amartillado, 13 in Desamartillado
CULATA	Composite	FLECHA	20"—400 g con culatín de media luna
EMPUÑADURA/RIEL	Aluminio		

GARANTÍA LIMITADA PARA LAS BALLESTAS CENTERPOINT

Su ballesta CenterPoint® está garantizada contra defectos de materiales y mano de obra durante 5 años desde la fecha de la compra. Esta garantía no es transferible y como tal está limitada al comprador original. Esta garantía no cubre daños debidos al desgaste normal o a no hacer el mantenimiento de rutina, y no incluye cuerdas, cables o accesorios. En caso de un defecto de conformidad con esta garantía, a nuestra elección repararemos o reemplazaremos el producto siempre que nuestra inspección indique que existe un defecto original. CenterPoint se reserva el derecho de reemplazar cualquier producto que ya no esté disponible con un producto de valor y función comparables. Si CenterPoint determina que la reparación no está cubierta por las directrices de la garantía, podría haber un cargo para usted por la reparación. Ésta es una garantía limitada y no cubre los daños causados por disparos en seco, mal uso o manejo inadecuado, o una instalación o mantenimiento indebidos proporcionados por alguien que no sea una estación de servicio autorizada de CenterPoint.

ESTA GARANTÍA LIMITADA NO INCLUYE DAÑOS Y PERJUICIOS CONSECUCIONALES O INCIDENTALES, O GASTOS INCIDENTALES, INCLUIDOS LOS DAÑOS Y PERJUICIOS MATERIALES O CUALQUIER OTRO GASTO. CENTERPOINT DESCONOCE CUALQUIER GARANTÍA IMPLÍCITA, INCLUIDAS LAS GARANTÍAS IMPLÍCITAS DE COMERCIABILIDAD E IDONEIDAD. ALGUNOS ESTADOS NO PERMITEN LA EXCLUSIÓN O LIMITACIÓN DE DAÑOS INCIDENTALES O CONSECUCIONALES, O NO PERMITEN LIMITACIONES SOBRE LAS GARANTÍAS IMPLÍCITAS, DE MODO QUE LAS LIMITACIONES O EXCLUSIONES ARRIBA INDICADAS PODRÍAN NO APLICARSE A USTED. EN LA MEDIDA EN QUE CUALQUIER DISPOSICIÓN DE ESTA GARANTÍA ESTÉ PROHIBIDA POR LAS LEYES FEDERALES, ESTATALES O MUNICIPALES, QUE NO PUEDAN EVITARSE, NO SERÁ APLICABLE. ESTA GARANTÍA LE OTORGA DERECHOS LEGALES CONCRETOS Y ES POSIBLE QUE TENGA TAMBIÉN OTROS DERECHOS QUE VARIAN SEGÚN EL ESTADO Y EL PAÍS.

ALTO – ANTES DE DEVOLVER ESTE PRODUCTO A LA TIENDA:

Póngase en comunicación con nuestros representantes de Servicio al Cliente para obtener ayuda al (866) 726-1122 o a través de centerpointarchery.com.

RECLAMACIONES DE GARANTÍA Y SERVICIO DE REPARACIONES

Si su producto necesita una reparación, ¡NO INTENTE DESMONTARLO! Cualquier desmontaje o modificación no realizados por una estación de servicio autorizada de CenterPoint anularán la garantía.

Cientes de los EE.UU.: Comuníquense con servicio al cliente de CenterPoint a través de centerpointarchery.com/contact o en la dirección postal abajo indicada. Le diremos dónde y cómo enviar su producto de CenterPoint para su reparación o reemplazo bajo la garantía, o se le remitirá a un centro de servicio autorizado.

CenterPoint Archery

Atn: Depto. de Garantía
3535 Tower Ave
Superior, WI 54880

Si se le indica que envíe su producto CenterPoint para reparación o reemplazo de acuerdo con la garantía, incluya su producto, una copia de su recibo y una breve descripción por escrito del problema que ha encontrado. Asegúrese de indicar también su nombre, dirección postal, dirección de correo electrónico y número de teléfono dentro del paquete.

Recomendamos encarecidamente que asegure su envío y que utilice un servicio que proporcione un número de seguimiento. CenterPoint no es responsable de ninguna mercancía dañada, perdida o robada durante el transporte desde o hacia CenterPoint.

Espere de 2 a 4 semanas para la reparación o reemplazo de conformidad con la garantía.

Cientes canadienses: Para obtener servicio por garantía, comuníquense con la Gravel Agency en Quebec al (866) 662-4869.

Cientes fuera de los EE. UU. o Canadá: Para obtener servicio por garantía, póngase en comunicación con el concesionario o distribuidor al que compró su producto CenterPoint. Si no sabe quién es su concesionario o distribuidor, o no puede ponerse en contacto con él o ella, se puede comunicar con nuestro Departamento Internacional para obtener ayuda al (585) 657-6161 o a través de centerpointarchery.com.

CenterPoint Archery

3535 Tower Ave.
Superior, WI 54880
Estados Unidos de América
1.866.726.1122
centerpointarchery.com

Hecho en Taiwán

CENTERPOINT, el logo de CENTERPOINT, WRATH y Power Draw son marcas comerciales de Crosman Corporation.

© 2020 Crosman Corporación 11-20 OM



WRATH® 430

ARBALÈTE À POULIES

| Manuel d'utilisation |



AXCPABP430PD-516



BIENVENUE

Votre choix de l'Arbalète à poulies Wrath 430 nous honore. Que cette arbalète soit un cadeau pour vous-même ou un moyen d'initier d'autres personnes à la vie du chasseur, nous ne doutons pas qu'elle fasse bonne impression.

Cette boîte, une fois son contenu assemblé, contient tout ce dont vous avez besoin pour vous y mettre, sauf une cible approuvée pour l'arbalète. Pour la chasse, nous recommandons une pointe de chasse de 100 grains, qui peut être fixée aux flèches en carbone incluses et dont le poids et la taille conviennent à l'Wrath 430.

Pour votre sécurité :

VEUILLEZ LIRE LE PRÉSENT MANUEL D'UTILISATION AU COMPLET AVANT D'UTILISER VOTRE ARBALÈTE À POULIES WRATH 430.

Les arbalètes, y compris l'Wrath 430, sont destinées à la chasse et au tir à la cible. Une utilisation incorrecte ou imprudente peut blesser ou tuer l'utilisateur et les gens qui l'entourent. Nous voulons que vous ne fassiez rien de moins que votre meilleur tir. SOYEZ PRUDENT : TIREZ AVEC PRUDENCE !

Si c'est votre première arbalète CenterPoint, des conseils supplémentaires peuvent s'avérer bienvenus avant le premier armement, chargement ou tir de votre Wrath 430. Si vous avez des questions ou des préoccupations au sujet de ce produit, de son bon assemblage ou de son utilisation sécuritaire, n'hésitez pas à nous contacter à partir de l'adresse centerpointarchery.com/contact-support. Nos experts du service à la clientèle sont ravis de vous aider du lundi au vendredi, de 9 h à 16 h 30 (HNC).

BIENVENUE DANS LA FAMILLE CENTERPOINT.

Vous êtes né pour ça.

⚠ AVERTISSEMENT : USAGE RECOMMANDÉ UNIQUEMENT POUR LES ADULTES. UNE UTILISATION INCORRECTE OU NÉGLIGENTE PEUT PROVOQUER DES BLESSURES GRAVES VOIRE LA MORT. LIRE TOUTES LES INSTRUCTIONS AVANT D'UTILISER CET ARC. CONSERVER LES INSTRUCTIONS ET LE MANUEL DE SÉCURITÉ POUR RÉFÉRENCE ULTÉRIEURE.

⚠ AVERTISSEMENT : TOUJOURS GARDER LES MAINS, LES DOIGTS ET LES POUCES À L'ÉCART DE LA TRAJECTOIRE DE LA CORDE D'ARC ET DES CÂBLES ET SOUS LE RAIL QUAND UNE ARBALÈTE EST ARMÉE.

⚠ AVERTISSEMENT : L'ACHETEUR ET L'UTILISATEUR SONT TENUS DE SE CONFORMER À TOUTES LES LOIS RELATIVES À L'UTILISATION ET À LA PROPRIÉTÉ DE CETTE ARBALÈTE.

⚠ AVERTISSEMENT : CE PRODUIT PEUT VOUS EXPOSER À DES PRODUITS CHIMIQUES, Y COMPRIS DU PLOMB, QUI EST RECONNU PAR L'ÉTAT DE CALIFORNIE COMME PROVOQUANT LE CANCER, DES ANOMALIES CONGÉNITALES OU D'AUTRES EFFETS NOCIFS SUR LA REPRODUCTION. POUR DE PLUS AMPLES RENSEIGNEMENTS, CONSULTER LE WWW.P65WARNINGS.CA.GOV.

Section 1 : Sécurité

S'il vous plaît, n'ignorez pas cette page. Les règles qui suivent sont essentielles à une utilisation et un entretien sécuritaires de l'arbalète.

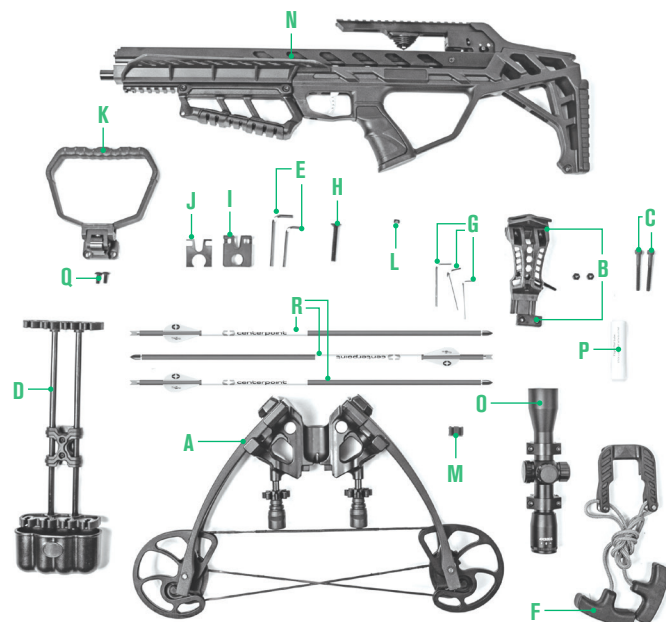
- TOUJOURS manipuler cette arbalète comme si elle était chargée et prête à tirer.
- TOUJOURS manipuler cette arbalète avec autant de précautions que vous le feriez pour une arme à feu.
- TOUJOURS ranger cette arbalète déchargée et hors de portée des enfants.
- TOUJOURS s'assurer que cette arbalète est déchargée et que son cran de sûreté est ENCLENCHÉ avant de la transférer d'une personne à une autre ou de la retirer de l'entreposage.
- TOUJOURS laisser le cran de sûreté de cette arbalète ENCLENCHÉ jusqu'à ce que vous soyez prêt à tirer.
- TOUJOURS être conscient de sa cible et de ce qui peut se trouver derrière elle.
- TOUJOURS vérifier l'état d'usure de la butte de tir de votre cible avant et après le tir. Toutes les buttes de tir s'usent avec le temps et finissent par ne plus fonctionner. Remplacez la butte de tir de votre cible quand sa surface est usée ou endommagée.
- TOUJOURS vérifier l'arbalète pour y déceler des pièces usées, endommagées, desserrées ou manquantes avant de tirer.
- TOUJOURS vérifier le dispositif d'armement de la corde pour y déceler des pièces usées, abîmées, desserrées ou manquantes avant l'utilisation.
- TOUJOURS inspecter régulièrement l'état de vos flèches. Le tir d'une flèche endommagée peut causer de graves blessures à vous-même et à ceux qui vous entourent. Toute flèche entaillée, bosselée, fendue ou fragmentée doit être éliminée immédiatement.
- TOUJOURS garder les mains, les doigts et les pouces à l'écart de la trajectoire de la corde et des câbles et sous le rail quand une arbalète est armée.
- TOUJOURS s'assurer que les branches de l'arbalète sont exemptes de tout obstacle avant de tirer. Le tir relâche les branches avec une énorme force. Si les branches venaient à heurter un obstacle, l'arbalète et l'obstacle pourraient subir de graves dommages.
- TOUJOURS porter des lunettes de protection lors de l'utilisation de tout type d'arc.
- NE JAMAIS utiliser cette arbalète avec une cible qui n'est pas conçue pour une utilisation avec arbalète. Les flèches tirées par cette arbalète peuvent pénétrer facilement des cibles de qualité inférieure et des buttes de tir usées.
- NE JAMAIS armer ou charger cette arbalète avant d'être prêt à tirer.
- NE JAMAIS pointer cette arbalète en direction de quelqu'un ou de quelque chose que vous n'avez pas l'intention d'atteindre.
- NE JAMAIS substituer la sûreté automatique de cette arbalète ni aucun autre dispositif mécanique à des pratiques de maniement sécuritaire.
- NE JAMAIS mettre le doigt sur la détente ou dans le pontet avant d'être prêt à tirer.
- NE JAMAIS tirer à vide avec cette arbalète. Le tir avec votre arbalète sans d'abord y encocher une flèche endommage votre arbalète et peut vous blesser.
- NE JAMAIS tirer de flèches, de carreaux ou de projectiles qui ne sont pas recommandés par CenterPoint pour une utilisation avec cette Arbalète à poulies Wrath 430. Le tir de projectiles non recommandés peut entraîner des blessures ou des dommages à l'arbalète. Chargez dans l'Arbalète à poulies Wrath 430 UNIQUEMENT des flèches de 20 pouces dotées d'une encoche demi-lune dont le poids à l'état fini est de 400 grains ou plus.
- NE JAMAIS armer l'arbalète au-delà de sa course de puissance maximale, ce qui pourrait endommager les branches, les câbles ou la corde d'arc.
- NE JAMAIS utiliser la main, la corde d'armement ou un dispositif d'armement approuvé pour désarmer l'arbalète étant donné que cela peut provoquer des blessures graves à l'utilisateur ou endommager l'arbalète.
- NE JAMAIS tenter de démonter ou de modifier cette arbalète, car des outils spéciaux sont nécessaires. Pour obtenir de l'aide, veuillez contacter une boutique spécialisée en produits de tir à l'arc. Une tentative de modification de cette arbalète d'une manière qui n'est pas décrite dans le présent manuel d'utilisation peut rendre cette arbalète dangereuse, et elle annulera la garantie.

Section 2 : Présentation de l'Wrath 430

LISTE DE PIÈCES

Veillez consulter cette liste pour vous assurer que toutes les pièces sont présentes avant de procéder à l'assemblage.

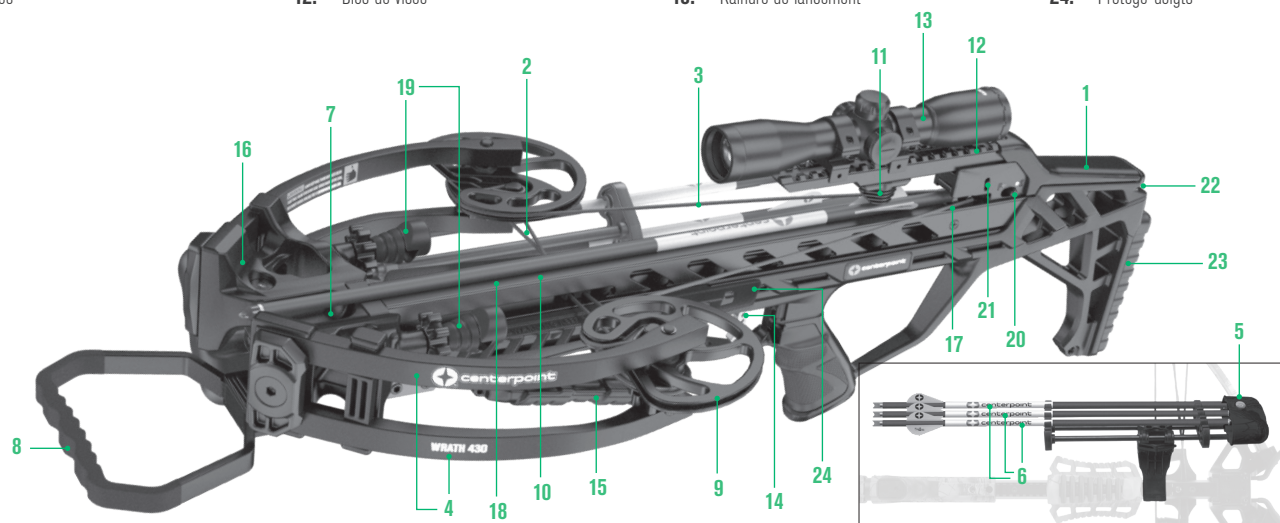
- | | | | |
|--|---|--|---|
| A. Assemblage branches/poignée (avec cordes/câbles) | E. Clés Allen du carquois (2) | J. Joint d'étanchéité du couvercle de joint | O. Lunette de visée illuminée 4x32 et bagues |
| B. Support du carquois (2 pcs) | F. Dispositif d'armement de la corde de l'arbalète | 11. Étrier pliable | P. Lubrifiant pour le rail |
| C. Vis du support du carquois (2) | G. Clés Allen d'assemblage | L. Vis de blocage du boulon de la poignée | Q. Vis de montage de l'étrier 1/4-20x1/2 po |
| D. Carquois | H. Boulon de la poignée | M. Glissière des câbles | R. Deux flèches en carbone de 50,8 cm avec encoches demi-lune et pointes de pratique |
| | I. Couvercle de joint | N. Corps principal de l'arbalète (crosse/fût) | |



LES PIÈCES D'UNE ARBALÈTE WRATH 430

Le fait de bien connaître la terminologie employée pour décrire les pièces d'une arbalète vous aidera lors de l'assemblage. Ce schéma montre une Arbalète à poulies Wrath 430 entièrement assemblée, armée et chargée.

- | | | | |
|--------------------------------|--|---------------------------------|---|
| 1. Crosse, monture, fût | 7. Poche de branche | 13. Lunette de visée | 19. Amortisseur de corde |
| 2. Câbles | 8. Étrier à pied | 14. Détente | 20. Cran de sûreté |
| 3. Corde | 9. Poulie | 15. Garde-main | 21. Cran de préparation à l'armement de l'arbalète |
| 4. Branche séparée | 10. Rail de lancement | 16. Riser | 22. Rainure de corde |
| 5. Carquois | 11. Ressort de retenue sur roulement à billes | 17. Tranche-fil | 23. Rail de lancement |
| 6. Flèches | 12. Bloc de visée | 18. Rainure de lancement | 24. Protège-doigts |



Section 3 : Assemblage de votre Wrath 430

Veillez consulter le [centerpointarchery.com/wrath-430-silent-crank#dm](https://www.centerpointarchery.com/wrath-430-silent-crank#dm) pour trouver une vidéo utile qui vous montre comment assembler votre Wrath 430, étape par étape.

Environ 30 minutes devraient être nécessaires pour bien assembler votre arbalète à poulies Wrath 430. En plus du matériel et des outils fournis, vous aurez besoin d'un tournevis à tête plate. Veillez suivre les étapes ci-dessous, dans l'ordre :

1 Installation du riser

- 1a** Attachez la glissière des câbles aux câbles la glissière des câbles possède une ouverture plus grande d'un côté pour permettre de placer la glissière correctement sur le rail. (Fig. 3)
- 1b** Glissez la glissière du câble dans l'ouverture à l'extrémité du rail tout en glissant la corde le long de la partie supérieure du rail. (Fig. 4)
- 1c** Attachez le joint d'étanchéité du couvercle de joint au couvercle de joint. Glissez le capuchon du joint sur le rail. (Fig. 4)
- 1d** Glissez le riser sur le rail. Installez et serrez le boulon du riser à l'aide de la clé hexagonale. Insérez la vis de serrage du boulon du riser pour empêcher que ce boulon ne se desserre. La serrer à l'aide de la clé hexagonale. (Fig. 5 et 6)

2 Installation de l'étrier

- 2a** Fixez l'étrier pliable au bas de la poignée à l'aide des 2 vis Allen fournies, comme illustré aux fig. 7 et 8. **IMPORTANT:** Assurez-vous que l'assemblage de l'arbalète est bien serré avant de déclencher l'arbalète. Il se peut que les boulons d'assemblage doivent être resserrés périodiquement après avoir utilisé l'arbalète.

3 Comment monter le carquois

L'arbalète Wrath 430 est fournie avec un support de carquois parallèle. Le support peut être monté sur le côté gauche ou droit de l'arbalète.

- 3a** Dévissez les vis du support de montage et fixez ce dernier sur le rail Picatinny, sous le fût et devant le garde-main.
- 3b** Fixez le support de carquois rapidement démontable sur l'extrémité du support de montage (Fig 9).
- 3c** Joignez le support de carquois au carquois en faisant glisser l'un sur l'autre et en les verrouillant en place à l'aide du levier de verrouillage.
- 3d** Assurez-vous que le carquois est verrouillé et bien fixé en place.

4 Comment attacher la lunette de visée

- 4a** **Longueur de la crosse** – Appuyez sur le levier situé sur le dessous de la crosse (Fig. 10) et faites glisser la crosse en arrière sur l'une des 4 positions. Relâchez le levier pour verrouiller la crosse en place.
- 4b** **Comment déplacer l'appuie-joue** – Desserrez les vis de chaque côté de l'appuie-joue et déplacez l'appuie-joue vers le haut ou vers le bas. Une fois que vous avez trouvé une position de tir confortable, resserrez les vis de chaque côté.
- 5** **Comment ajuster la longueur du fût**
 - 5a** Appuyez sur le levier sur le dessous du fût. (Fig. 11)
 - 5b** Glissez le fût pour le positionner entre 0 et 5 afin de l'allonger ou le raccourcir.
 - 5c** Relâchez le levier pour le verrouiller en place.

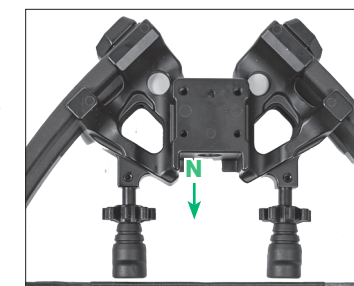


FIGURE 3

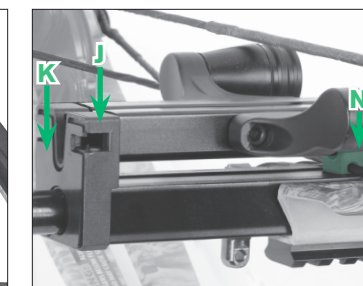


FIGURE 4

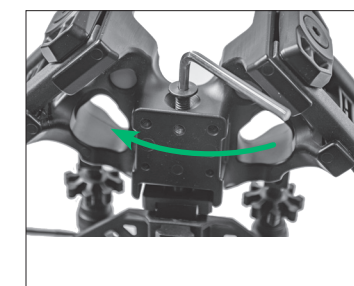


FIGURE 5

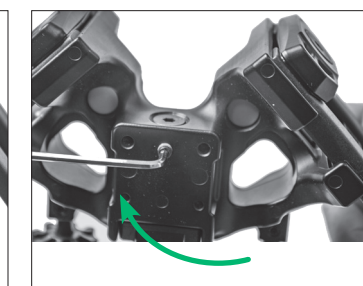


FIGURE 6

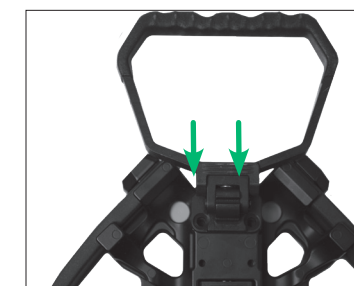


FIGURE 7



FIGURE 8

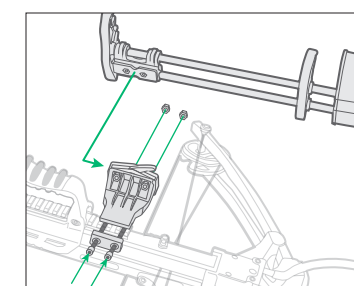


FIGURE 9



FIGURE 10



Section 4 : Ajustement de votre Wrath 430

⚠ AVERTISSEMENT :

- TOUJOURS S'ASSURER QUE L'ÉTRIER PLIABLE EST EN POSITION ENTIÈREMENT DÉPLOYÉE AVANT D'ARMER L'ARBALÈTE.
- NE JAMAIS ESSAYER DE RÉGLER LA POSITION DE L'ÉTRIER PLIABLE D'UNE ARBALÈTE CHARGÉE.

AJUSTEMENT DE L'ÉTRIER PLIABLE

1. TOUJOURS s'assurer que l'arbalète est DÉCHARGÉE et que le cran de sûreté est en position S (SÛRETÉ).
2. Pour tourner l'étrier pliable depuis la position entièrement déployée, soulever le levier de dégagement de l'étrier situé à la base de l'étrier d'armement (Fig. 11).
3. Faire tourner l'étrier pliable en position rabaisée ou en position entièrement dissimulée (Fig. 12).
4. Une fois l'étrier pliable à la position souhaitée, relâcher le levier de dégagement de l'étrier d'armement et vérifier que l'étrier est bien verrouillé en place.

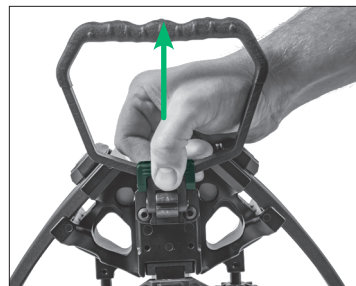


FIGURE 11

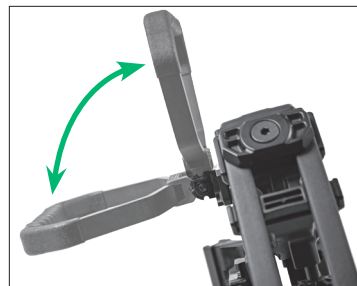


FIGURE 12

Section 5 : Utilisation de votre Wrath 430

ARMEMENT DE VOTRE WRATH 430

⚠ **AVERTISSEMENT :** UNE FOIS QUE VOUS AVEZ ARMÉ VOTRE ARBALÈTE À POULIES WRATH 430, VOUS DEVREZ TIRER UNE FLÈCHE POUR LA DÉARMER DE FAÇON SÉCURITAIRE.

⚠ **AVERTISSEMENT :** ARMEZ VOTRE WRATH 430 UNIQUEMENT SI VOUS ÊTES À UN ENDRIT ET DANS UNE SITUATION OÙ VOUS SOUHAITEZ TIRER UNE FLÈCHE.

⚠ **AVERTISSEMENT :** UN TIR À SEC OU UNE TENTATIVE DE DÉARMEMENT MANUEL DE L'WRATH 430 À L'AIDE DES MAINS, DU DISPOSITIF D'ARMEMENT DE LA CORDE OU D'UN DISPOSITIF D'ARMEMENT APPROUVÉ PEUT ENTRAÎNER DE GRAVES BLESSURES OU DES DOMMAGES À L'ARBALÈTE.

⚠ **AVERTISSEMENT :** LE FAIT DE LAISSER L'WRATH 430 ARMÉE PENDANT UNE LONGUE PÉRIODE N'EST PAS SÉCURITAIRE ET PEUT ENDOMMAGER L'ARBALÈTE.

Pour armer votre Wrath 430, vérifiez d'abord que le cran de sûreté (partie 20) est réglé à la position (F) (DÉGAGÉE). Si la détente est bloquée, le cran de sûreté est en position (S) (ENCLANCHÉE) et il sera IMPOSSIBLE d'armer l'Wrath 430. (La sûreté s'enclenche automatiquement quand l'arbalète est armée.)

Pour dégager la sûreté aux fins d'armement, soulevez le cran de préparation à l'armement (partie 21) et glissez le cran de sûreté vers l'avant jusqu'à la position (F) (DÉGAGÉE). Utilisez uniquement le cran de préparation à l'armement pour dégager la sûreté aux fins d'armement.

ATTENTION : SI VOUS UTILISEZ LE CRAN DE PRÉPARATION À L'ARMEMENT QUAND L'ARBALÈTE EST ARMÉE, VOUS DÉGAGEZ LE MÉCANISME DE PROTECTION CONTRE LE TIR À VIDE, CE QUI EST DANGEREUX ET PEUT ENTRAÎNER DE GRAVES BLESSURES.

La sûreté est dégagée et l'arbalète est prête à être armée quand le cran de sûreté est passé de la position (S) (ENCLANCHÉE), sous le point blanc, à la position (F) (DÉGAGÉE), sous le point rouge, comme illustré à la figure 13.

Confirmez ensuite que votre rail de lancement (partie 10) est bien lubrifié. Pour lubrifier votre rail de lancement, frottez un peu du lubrifiant pour rail fourni de chaque côté du rail de lancement. À l'aide d'un doigt, étendez le lubrifiant sur toute la longueur de chaque côté du rail de lancement, jusqu'aux butées de corde (partie 17). Nous recommandons de lubrifier le rail tous les 12 à 15 tirs.

⚠ **AVERTISSEMENT :** L'WRATH 430 S'ARME DE LA FAÇON LA PLUS SÉCURITAIRE ET FACILE À L'AIDE DE LA CORDE D'ARMEMENT OU DU DISPOSITIF D'ARMEMENT FOURNI. L'UTILISATION DE TOUT AUTRE DISPOSITIF D'ARMEMENT OU CORDE D'ARMEMENT PEUT ÊTRE DANGEREUSE ET ENDOMMAGER VOTRE ARBALÈTE.

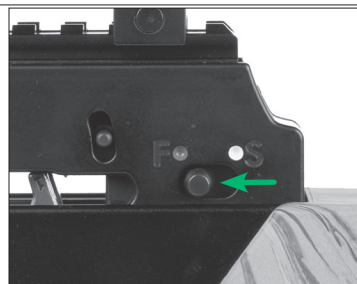


FIGURE 13

Section 5 : Utilisation de votre Wrath 430 (suite)

Poser l'étrier pliable (partie 8) au sol en position entièrement déployée et y insérer l'un des pieds bien fermement.

Placer le centre de la corde d'armement fournie dans la rainure de corde (partie 22), qui se trouve juste au-dessus du point où la crosse est reliée à la carcasse.

Accrocher le chariot d'armement (partie F), orienté vers le haut, sur la corde d'arc (partie 3) de façon qu'il se situe de chaque côté du rail de lancement (partie 10). Voir la Figure 14.

Tirer simultanément sur les deux poignées en T de la corde d'armement tout en appuyant sur l'étrier. Cette action bandera la corde d'arc sous le ressort de retenue sur roulement à billes (partie 11) et dans le mécanisme de détente. Quand l'arbalète est bien armée, la corde d'arc est saisie par le loquet de détente, et le cran de sûreté passe automatiquement de la position (F) (DÉGAGÉE) à la position (S) (ENCLANCHÉE). Voir les figures 15 et 16.

Quand vous entendez la sûreté s'enclencher, relâchez lentement et soigneusement la tension que vous exercez sur la corde d'armement. Si l'arbalète est bien armée, le loquet de détente retiendra la corde d'arc. Si la corde d'arc demeure libre, continuez de tirer sur la corde d'armement jusqu'à ce que l'arbalète soit armée.

ATTENTION : L'ARMEMENT DE L'WRATH 430 TEND LA CORDE D'ARC ET LES CÂBLES, CE QUI NÉCESSITE UN EFFORT. SI VOUS DEVEZ RELÂCHER CETTE TENSION AVANT QUE L'ARBALÈTE SOIT ENTIÈREMENT ARMÉE, FAITES-LE LENTEMENT ET SOIGNEUSEMENT AFIN D'ÉVITER LES BLESSURES OU LES DOMMAGES.

Retirez les crochets de la corde d'armement de la corde d'arc, puis la corde de la rainure de corde. Votre Wrath 430 est maintenant armée et prête à être chargée.

ARMEMENT DE L'ARBALÈTE WRATH 430 À L'AIDE DU DISPOSITIF D'ARMEMENT SILENCIEUX

Veuillez consulter le manuel d'utilisation du dispositif d'armement silencieux Wrath pour obtenir les instructions d'armement de l'arbalète Wrath 430 à l'aide de ce dispositif.

COMMENT ENCLANCHER LA SÛRETÉ

Quand la sûreté de l'arbalète à poulies Wrath 430 est bien enclenchée, elle désactive la détente et empêche le tir accidentel. La sûreté s'enclenche automatiquement quand l'arbalète est armée.

ATTENTION : NE SUBSTITUEZ JAMAIS UN DISPOSITIF MÉCANIQUE, COMME LA SÛRETÉ, À DES PRATIQUES DE MANIÈRE SÉCURITAIRE. MANIEZ TOUJOURS UNE ARBALÈTE COMME SI LA SÛRETÉ N'ÉTAIT PAS ENCLANCHÉE, COMME TOUT DISPOSITIF MÉCANIQUE, IL EST POSSIBLE QUE LA SÛRETÉ DE L'ARBALÈTE FASSE DÉFAUT.

Avant de charger une flèche, assurez-vous que la sûreté est enclenchée. Quand la sûreté est enclenchée, le cran de sûreté se trouve sous la position (S) (ENCLANCHÉE) et le point blanc (figure 17)

Pour enclencher manuellement la sûreté, faites glisser le cran de sûreté (partie 20) vers l'arrière jusqu'à ce que vous entendiez et sentiez le clic du cran de sûreté. Confirmez que le cran de sûreté est passé de la position (F) (DÉGAGÉE), au niveau du point rouge, à la position (S) (ENCLANCHÉE), au niveau du point blanc, comme illustré à la figure 17.

⚠ **AVERTISSEMENT :** QUELLE QUE SOIT LA RAISON, SI LE CRAN DE SÛRETÉ NE S'ENCLENCHE PAS ENTIÈREMENT EN POSITION (S) (ENCLANCHÉE) PENDANT QUE L'ARBALÈTE EST ARMÉE, DÉARMEZ L'ARBALÈTE DE FAÇON SÉCURITAIRE EN TIRANT UNE FLÈCHE SUR UNE CIBLE SÉCURITAIRE. N'UTILISEZ PAS L'ARBALÈTE ET N'ESSAYEZ PAS DE L'ARMER. VEUILLEZ COMMUNIQUER AVEC LE SERVICE À LA CLIENTÈLE DE CENTERPOINT ARCHERY AU (866) 726-1122 POUR OBTENIR UNE RÉPARATION AUTORISÉE.

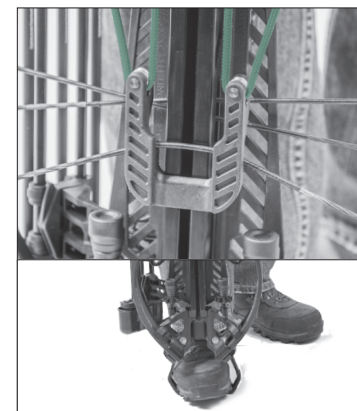


FIGURE 14



FIGURE 15

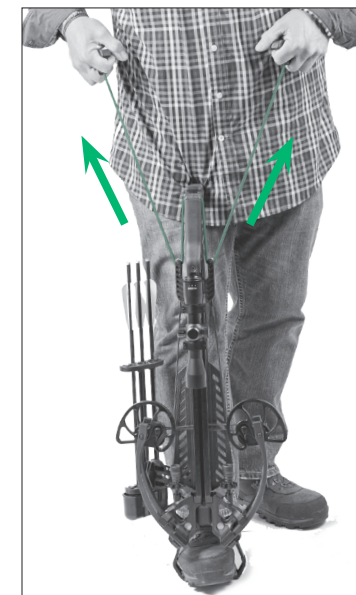


FIGURE 16



Section 5 : Utilisation de votre Wrath 430 (suite)

CHARGEMENT DE L'WRATH 430

⚠ AVERTISSEMENT : LAISSEZ TOUJOURS LA SÛRETÉ À LA POSITION (S) (ENCLENCHÉE) JUSQU'À CE QUE VOUS SOYEZ PRÊT À TIRER.

Avant de charger une flèche dans l'Wrath 430, vérifiez si le cran de sûreté est réglé à la position (S) (ENCLENCHÉE) et si l'arbalète pointe vers une direction sécuritaire.

Assurez-vous que la flèche que vous chargez est en bon état et approuvée pour une utilisation avec l'Wrath 430. Utilisez uniquement des flèches de 20 pouces dotées d'une encoche demi-lune dont le poids à l'état fini est de plus de 400 grains.

Pour charger l'Wrath 430, tenez une flèche entre deux doigts près de sa pointe de chasse ou de pratique, les mains à l'écart de l'extrémité de l'encoche. Cette prise vous permet de charger votre arbalète sans placer aucune partie de votre main dans la trajectoire de la corde d'arc, comme illustré à la figure 19.

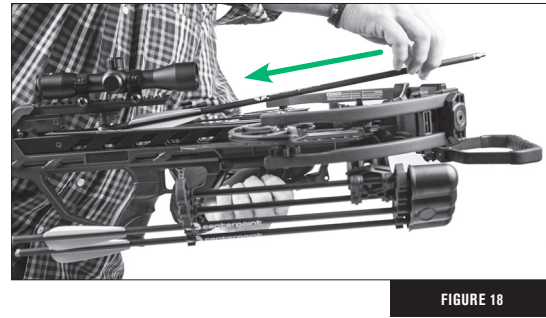


FIGURE 18

⚠ AVERTISSEMENT : GARDEZ TOUJOURS LES MAINS, LES DOIGTS ET TOUTE AUTRE PARTIE DU CORPS À L'ÉCART DE LA TRAJECTOIRE DE LA CORDE D'ARC ET DES CÂBLES QUAND L'ARBALÈTE EST ARMÉE. LE NON-RESPECT DE CET AVERTISSEMENT PEUT CAUSER DES BLESSURES GRAVES OU LA MORT.

L'empenne de couleur différente orientée vers le bas, dans la rainure de lancement, glissez l'encoche vers l'ensemble de détente jusqu'à ce qu'elle s'engage entièrement avec la corde d'arc. Sur les flèches incluses, l'empenne de couleur différente est blanche.

COMMENT DÉGAGER LA SÛRETÉ

L'arbalète pointant dans une direction sûre et chargée d'une flèche, faites glisser le cran de sûreté (partie 20) vers l'avant jusqu'à ce que vous entendiez et sentiez le déclic du cran. La sûreté est délogée et l'arbalète est prête à être armée ou à tirer quand le cran de sûreté est passé de la position (S) (ENCLENCHÉE), sous le point blanc, à la position (F) (DÉGAGÉE), sous le point rouge, comme illustré à la figure 13 de la page 4.

ATTENTION : N'UTILISEZ PAS LE CRAN DE PRÉPARATION À L'ARMEMENT (PARTIE 2) POUR DÉGAGER LA SÛRETÉ SI L'ARBALÈTE EST ARMÉE. AUTREMENT, VOUS DÉSACTIVEREZ LE MÉCANISME DE PROTECTION CONTRE LE TIR À VIDE. UTILISEZ UNIQUEMENT CE CRAN POUR DÉGAGER LA SÛRETÉ SI L'ARBALÈTE EST RÉGLÉE EN POSITION (S) (ENCLENCHÉE) ET QUE VOUS SOUHAITEZ ARMER L'ARBALÈTE.

COMMENT VISER ET TIRER AVEC L'WRATH 430

⚠ AVERTISSEMENT : NE PLACEZ JAMAIS UNE PARTIE DU CORPS (Y COMPRIS LES MAINS OU LES DOIGTS) DANS LA TRAJECTOIRE DE LA CORDE D'ARC OU DES CÂBLES. EN TOUT TEMPS, GARDEZ LA MAIN AVANT SUR LE GARDE-MAIN DE LA CROSSE, SOUS LA TRAJECTOIRE DE LA CORDE ET DES CÂBLES (VOIR LA FIGURE 19). LE NON-RESPECT DE CET AVERTISSEMENT PEUT CAUSER DES BLESSURES GRAVES OU LA MORT.

(Pour obtenir les instructions sur le réglage de la visée et l'ajustement de la lunette de visée incluse, consultez le manuel d'utilisation inclus de cette dernière.)

Avant de tirer avec votre Wrath 430, confirmez ce qui suit :

- vous visez une cible sûre et êtes conscient de ce qui peut potentiellement se trouver derrière cette cible;
- vous et les personnes qui vous entourent portez les protections oculaires appropriées;
- toutes les parties de votre corps, y compris les mains, les doigts et les pouces, se trouvent à l'écart de la trajectoire de la corde d'arc et des câbles;
- vous ne visez pas une surface dure ou la surface d'un plan d'eau, car les flèches peuvent ricocher et toucher une cible non voulue;
- les branches et les poulies de l'arbalète présentent un dégagement suffisant pour s'allonger lors du tir. Quand vous tirez, ces éléments sont projetés depuis la crosse avec une grande puissance et peuvent causer des blessures à quiconque ou des dommages à n'importe quoi qui entre en contact avec eux, ou ils peuvent subir eux-mêmes des dommages; et
- le cran de sûreté est réglé à la position (S) (ENCLENCHÉE)



FIGURE 19



FIGURE 20

L'arbalète armée et chargée pointée sur votre cible, appuyez la crosse (partie 23) contre l'épaule de votre bras dominant, placez votre main non dominante sur le garde-main (partie 15) et votre main dominante sur la poignée, les doigts à l'extérieur du pontet. Toutes les parties des deux mains, des doigts et des pouces doivent se situer sous les protège-doigts (partie 24) et à l'écart de la trajectoire de la corde d'arc, comme illustré aux figures 19 et 20.

Section 6 : Comment entretenir votre Wrath 430

L'arbalète toujours pointée sur une cible sûre, dégagez la sûreté en poussant le cran de sûreté vers l'avant, de la position (S) (ENCLENCHÉE) à la position (F) (DÉGAGÉE). Vous entendrez un « déclic » quand la sûreté sera entièrement délogée.

Votre arbalète à poulies Wrath 430 est maintenant prête à tirer. Pour lancer une flèche, vérifiez à nouveau si vous pouvez tirer en toute sécurité, placez le doigt sur la détente et appuyez doucement sur celle-ci.

NE TIREZ JAMAIS À VIDE AVEC L'ARBALÈTE. Consultez la section 5 afin de connaître les instructions pour désarmer votre Wrath 430 de façon sécuritaire.

NE MODIFIEZ L'Wrath 430 D'AUCUNE FAÇON QUE CE SOIT. Les tentatives de modification de l'arbalète à poulies Wrath 430 d'une façon qui n'est pas indiquée dans le présent manuel d'utilisation peuvent rendre l'arbalète dangereuse ou entraîner de graves blessures, voire la mort. La modification de l'Wrath 430 annule sa garantie.

Avant l'utilisation, vérifiez TOUJOURS soigneusement l'arbalète pour y déceler des pièces usées, endommagées, desserrées ou manquantes. Si votre Wrath 430 est usée ou endommagée, appelez le service à la clientèle pour obtenir de l'aide avant de l'utiliser.

Si vous laissez tomber votre arbalète, inspectez-la pour y déceler des dommages, puis, pendant le processus d'armement, assurez-vous que tout semble normal avant l'utilisation. Si quelque chose semble différent, ARRÊTEZ immédiatement. Cessez l'utilisation de l'arbalète tant qu'elle n'a pas fait l'objet d'une inspection par un professionnel.

Afin d'éviter la rouille et la corrosion, enduisez périodiquement toutes les pièces métalliques d'une mince couche de lubrifiant à base de silicone.

Afin de réduire l'effilochage et l'usure de la corde d'arc, frottez un peu de lubrifiant pour rail fourni de chaque côté du rail de lancement. À l'aide d'un doigt, appliquez le lubrifiant sur toute la longueur de chaque côté du rail de lancement, jusqu'aux butées de corde (partie 17). Nous recommandons de lubrifier le rail tous les 12 à 15 tirs.

Vous devriez également lubrifier la corde d'arc avec de la cire pour corde d'arc (non comprise). Éliminez d'abord toute accumulation de vieille cire, mais NE cirez PAS la section centrale de la corde d'arc, qui est dotée d'une enveloppe spéciale et qui se nomme « tranche-fil central », lequel entre en contact avec le rail de lancement. Le fait de cirer le tranche-fil peut entraîner l'accumulation de cire dans le mécanisme de détente. Une fois la corde d'arc cirée, frottez la cire délicatement avec les doigts, puis avec un linge propre.

Quand votre corde d'arc commence à paraître usée ou effilochée, il faut la remplacer à l'aide d'une presse à arc. Communiquez avec une boutique d'archerie pour faire effectuer ce remplacement par un professionnel. Il est impossible d'effectuer ce remplacement sans équipement professionnel.

Avant de lancer une flèche, inspectez-la soigneusement pour y déceler de l'usure, des dommages ou des entailles. Même de petits défauts ou des dommages mineurs peuvent entraîner l'éclatement violent de la flèche quand elle est tirée avec une arbalète, ce qui peut entraîner des blessures graves à vous-même et aux personnes à proximité. Mettez au rebut toutes les flèches endommagées conformément aux exigences des lois et règlements locaux.

Rangez votre arbalète dans un endroit frais et sec.

Protéger l'arbalète de la chaleur excessive comme celle présente dans le coffre d'une voiture par temps chaud ou près d'une conduite d'évacuation d'un appareil de chauffage.



CARACTÉRISTIQUES TECHNIQUES

MÈTRES/SEC.	Jusqu'à 134 mètres par seconde	OPTIQUE	Lunette de visée illuminée 4x32 mm
PUISSANCE DE L'ARBALÈTE	90,7 kg	SÛRETÉ	Automatique, ambidextre
ÉNERGIE CINÉTIQUE	222 Nm	POIDS	3,8 kg
COURSE DE PUISSANCE	38,1 cm	LONGUEUR	71,78 cm
BRANCHES	Branches quad en fibres de verre moulées par compression	LARGEUR D'AXE À AXE	22,9 cm Armée, 33 cm Non armée
CROSSE	Composite	FLÈCHE	50,8 cm, 25,9 g avec encoche demi-lune
POIGNÉE/RAIL	Aluminium		

GARANTIE LIMITÉE RELATIVE AUX ARBALÈTES CENTERPOINT

Votre arbalète CenterPoint® est garantie contre tout défaut de matériaux et de fabrication pendant une période de 5 ans à partir de la date d'achat. Cette garantie n'est pas transférable et pour cette raison, seul le propriétaire initial peut s'en prévaloir. Cette garantie ne couvre pas les dommages causés par l'usure normale ou une négligence dans l'entretien de routine, et elle ne couvre pas les câbles, les cordes ni les accessoires. Dans le cas d'une défectuosité couverte par cette garantie, CenterPoint procédera à la réparation ou au remplacement du produit, à sa discrétion, si toutefois l'inspection indique qu'une défectuosité d'origine est en cause. CenterPoint se réserve le droit de remplacer tout produit qui n'est plus en production par un produit de valeur et de fonction comparables. Si CenterPoint détermine que la réparation n'est pas couverte au titre de la garantie, il se peut que cette réparation soit à vos frais. Il s'agit d'une garantie limitée qui ne couvre pas les dommages causés par le feu, un usage abusif, un maniement inadéquat ou une installation ou un entretien effectué par un tiers autre qu'un centre de service autorisé CenterPoint.

CETTE GARANTIE LIMITÉE N'INCLUT PAS LES DOMMAGES INDIRECTS, LES DOMMAGES OU FRAIS ACCESSOIRES, Y COMPRIS LES DOMMAGES MATÉRIELS OU TOUTE AUTRE DÉPENSE ENGAGÉE. CENTERPOINT DÉCLINE TOUTE GARANTIE IMPLICITE, Y COMPRIS LES GARANTIES TACITES DE QUALITÉ MARCHANDE ET D'ADÉQUATION À UN USAGE PARTICULIER. CERTAINS ÉTATS NE PERMETTENT PAS L'EXCLUSION OU LA LIMITATION DES DOMMAGES ACCESSOIRES OU INDIRECTS OU PERMETTENT DES RESTRICTIONS SUR LES GARANTIES IMPLICITES, PAR CONSÉQUENT, LES CLAUSES LIMITATIVES OU EXCLUSIVES CI-DESSUS PEUVENT NE PAS S'APPLIQUER DANS VOTRE CAS. SI UNE DISPOSITION DE CETTE GARANTIE EST INTERDITE EN VERTU D'UNE LOI FÉDÉRALE, NATIONALE, OU MUNICIPALE, SUR LAQUELLE LA DISPOSITION NE PEUT PRÉVALOIR, CETTE DERNIÈRE NE SERA PAS APPLICABLE. CETTE GARANTIE VOUS CONFÈRE CERTAINS DROITS RECONNUS PAR LA LOI. VOUS POUVEZ ÉGALEMENT DÉTENIR D'AUTRES DROITS QUI VARIENT D'UN ÉTAT À L'AUTRE ET D'UN PAYS À L'AUTRE.

ATTENTION – AVANT DE RETOURNER CE PRODUIT AU MAGASIN :

Communiquez avec un représentant du service à la clientèle pour obtenir de l'aide au (866) 726-1122 ou par le biais du site centerpointarchery.com.

RÉCLAMATIONS AU TITRE DE LA GARANTIE / SERVICE DE RÉPARATION

Si votre produit a besoin d'être réparé, N'ESSAYEZ PAS DE LE DÉMONTER. Tout démontage et toute modification effectués autrement que par un centre de service après-vente CenterPoint autorisé annuleront la garantie.

Clients des États-Unis : Communiquez avec le service à la clientèle de CenterPoint par le biais du site centerpointarchery.com/contact/ ou à l'adresse postale ci-dessous. Nous vous indiquerons où et comment envoyer votre produit CenterPoint aux fins de réparation ou de remplacement au titre de la garantie, ou nous vous dirigerons vers un centre de service autorisé.

CenterPoint Archery

Attn: Warranty Dept.
3535 Tower Ave
Superior, WI 54880

Si on vous invite à expédier votre produit CenterPoint à des fins de réparation ou de remplacement, veuillez inclure votre produit, une copie de votre reçu et une brève description écrite du problème. N'oubliez pas d'inclure votre nom, adresse postale, adresse e-mail et numéro de téléphone dans l'emballage.

Nous vous recommandons fortement d'assurer votre expédition et de recourir aux services d'un expéditeur qui fournit un numéro de suivi. CenterPoint n'est pas responsable des marchandises endommagées, perdues ou volées pendant l'expédition en direction ou en provenance de CenterPoint.

Veuillez prévoir de 2 à 4 semaines pour effectuer une réparation ou un remplacement.

Clients canadiens : Pour un service au titre de la garantie, veuillez communiquer avec l'agence Gravel, située à Québec, au (866) 662-4869.

Clients à l'extérieur des États-Unis ou du Canada : Pour un service au titre de la garantie, veuillez communiquer avec le détaillant ou le distributeur auprès duquel vous avez acheté votre produit CenterPoint. Si vous ne connaissez pas le détaillant ou le distributeur, ou s'il vous est impossible de communiquer avec ce dernier, vous pouvez communiquer avec notre service international pour obtenir de l'aide en composant le (585) 657-6161 ou par le biais du site centerpointarchery.com.

CenterPoint Archery

3535 Tower Ave.
Superior, WI 54880
United States of America
1.866.726.1122
centerpointarchery.com



Fabriqué à Taiwan

CENTERPOINT, le logo CENTERPOINT, Mercenary et Power Draw sont des marques de commerce de Crosman Corporation.

© 2020 Crosman Corporation 11-20 OM

AXCPABP430PD-517