



TYPHON™

BOWFISHING KIT

| Owner's Manual |



Section 1: Safety

READ ALL INSTRUCTIONS AND WARNINGS BEFORE USING

If you have any questions about this product or need some help, do not return the product to the store before talking with CenterPoint Hunting and Outdoors. Feel free to visit us at centerpointhunting.com, or speak with one of our friendly customer service (1-866-726-1122) representatives Monday through Friday between the hours of 9 am and 4:30 pm EST.

WARNING: RECOMMENDED FOR ADULT USE ONLY. MISUSE OR CARELESS USE MAY RESULT IN SERIOUS INJURY OR DEATH. READ ALL INSTRUCTIONS BEFORE USING.

WARNING: ALWAYS KEEP HANDS, ARM, AND ALL BODY PARTS OUT OF THE STRING/FLIGHT PATH. FAILURE TO DO SO MAY CAUSE SERIOUS INJURY.

WARNING: BUYER AND USER HAVE THE DUTY TO OBEY ALL LAWS ABOUT THE USE AND OWNERSHIP OF THIS BOW.

WARNING: THIS PRODUCT CAN EXPOSE YOU TO CHEMICALS INCLUDING LEAD, WHICH IS KNOWN TO THE STATE OF CALIFORNIA TO CAUSE CANCER, AND LEAD, WHICH IS KNOWN TO THE STATE OF CALIFORNIA TO CAUSE BIRTH DEFECTS OR OTHER REPRODUCTIVE HARM. FOR MORE INFORMATION, GO TO WWW.P65WARNINGS.CA.GOV.

1 Safety First

1a Target Safety

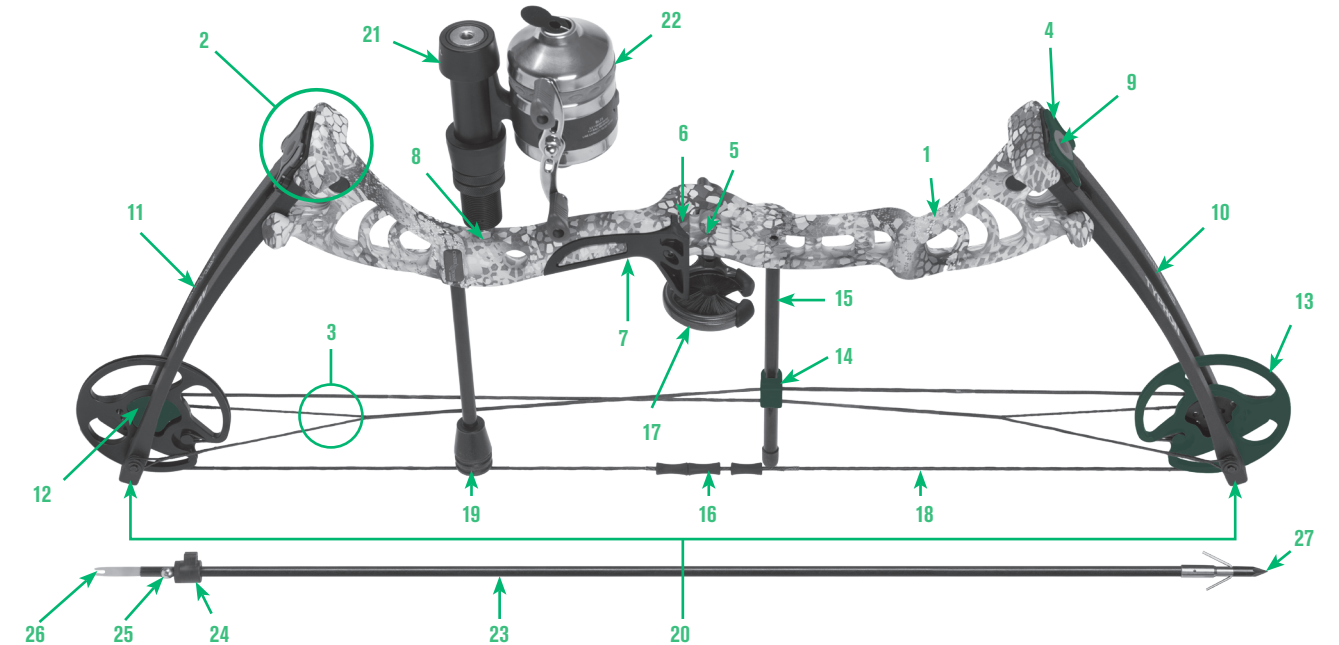
- ALWAYS treat the bow as though it is loaded and ready to fire.
- ALWAYS treat the bow with the same respect you would a firearm.
- ALWAYS store the bow unloaded and away from children.
- ALWAYS keep the bow pointed in a SAFE DIRECTION.
- NEVER draw the bow until you are ready to shoot.
- ALWAYS be sure of your target and what is beyond your target before shooting any archery product.
- ALWAYS check your archery backstop for wear before and after such use. All target backstops are subject to wear and will eventually fail. Replace your target backstop if the surface is worn or damaged.
- NEVER draw or load the bow until you are ready to shoot.
- NEVER point the bow at any person.
- NEVER point the bow at anything you do not intend to shoot.

1b Bow Safety

- ALWAYS check the bow, bow parts, and bow accessories thoroughly for worn, damaged, loose, misaligned, or missing parts prior to shooting.
- ALWAYS inspect your arrows, field points, or broadheads regularly. Damaged arrows, field points, and broadheads may cause serious injury. Any nicked, dented, split, splintered, or damaged arrows, field points, or broadheads should be discarded immediately.
- ALWAYS keep hands, fingers and thumbs out of the travel path of the bowstring and cables and cams.
- ALWAYS be sure the bow limbs are clear from striking tree limbs and other obstacles before shooting.
- ALWAYS make sure that the arrow slide is in front of the Whisker Biscuit (See section 5 arrow selection).
- ALWAYS wear safety glasses with any type of archery product.
- NEVER dry fire the bow. Dry fire is shooting the bow without an arrow nocked on the string. This situation will cause damage to your bow and could cause injury to the shooter.
- NEVER use underweight arrows (see Section 5 for arrow selection). This has the same effect as dry firing a bow and may cause damage to the bow and injury to the shooter.
- NEVER shoot any projectile in the bow except for arrows recommended by CenterPoint Archery for the specific bow. Shooting other than recommended arrows could result in injury or damage to the Bow (see Section 5 for arrow selection).
- NEVER draw your bow beyond the maximum draw length; drawing beyond the maximum draw length will cause damage to the limbs, cables and/or strings.
- NEVER attempt to disassemble or tamper with the bow. Special tools are required for working on the bow. Contact an established archery shop for assistance. Using anything other than an established archery shop or modifying the function of the bow in any way may render the bow unsafe and will void the warranty.

Section 2: Meet the Typhon

Parts of the Typhon Bowfishing Bow



- | | | | |
|-------------------------------------|----------------------------|--------------------------------|----------------------------------|
| 1. Riser | 8. Reel Seat Mounting Hole | 15. Cable Rod | 22. Reel |
| 2. Limb Pocket | 9. Limb Bolt | 16. Finger Rollers | 23. Bowfishing Arrow |
| 3. Cable | 10. Top Limb | 17. Whisker Biscuit Arrow Rest | 24. Cajun Bowfishing Arrow Slide |
| 4. Bezel | 11. Bottom Limb | 18. String | 25. Arrow Slide Stop |
| 5. Rest Mounting Holes/Berger Holes | 12. Cam Module | 19. String Stop | 26. Nock |
| 6. Arrow Shelf | 13. Cam | 20. Axel to Axel Length | 27. Bowfishing Broadhead |
| 7. Grip | 14. Cable Slide | | |

WHISKER BISCUIT® ARROW REST

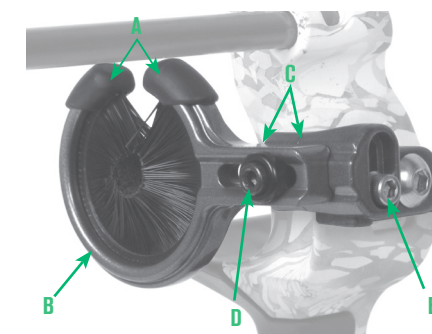


FIGURE 2

- A. Rubber Boots Silence Arrow Loading
- B. Aluminum-Encased Whisker Biscuit
- C. Laser-Engraved Reference Marks
- D. Windage Adjustment
- E. Elevation Adjustment

FISHING REEL

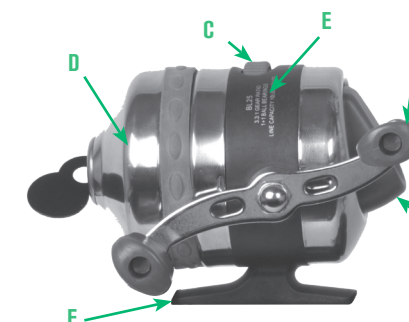


FIGURE 3

- A. Reel Handle
- B. Thumb Button
- C. Drag Dial
- D. Reel Hood
- E. Reel Body
- F. Reel Base

Section 3: ASSEMBLING THE COMPOUND BOW

⚠ WARNING: ALWAYS CHECK THE COMPOUND BOW THOROUGHLY FOR WORN, DAMAGED, LOOSE OR MISSING PARTS PRIOR TO SHOOTING.

1 SETUP THE COMPOUND BOW

CAUTION: Be sure that both cam modules on top and bottom limbs are set at the same draw length. Uneven draw lengths could cause damage to your bow and could cause injury to the shooter.

1a Draw Length Adjustment

The Compound bow is equipped with a module that allows draw length adjustment over a designated range (See Adjustment Chart, Section 10) without having to use a bow press. Both cams must be set at the same draw length. Each Module is labeled for the corresponding draw length at each hex bolt hole (Fig. 4).

- Adjust the draw length by removing the hex bolt (A).
- Turn the module so that the desired draw length is aligned with the threaded hole.
- Insert the hex bolt (A) into the threads and firmly tighten turning clockwise, using a hex wrench.
- Draw Weight Adjustment



FIGURE 4

⚠ WARNING:

- NEVER LOOSEN THE LIMB BOLTS MORE THAN 4 TURNS. LOOSE LIMBS MAY SEPARATE FROM THE RISER UNDER TENSION AND CAUSE DAMAGE TO THE BOW AND SERIOUS INJURY TO THE USER.
- ALWAYS CHECK TO MAKE SURE THAT THE BOW LIMBS ARE TIGHTLY SECURED TO THE RISER BEFORE SHOOTING.

- The bow is shipped from the factory set at 29" Draw Length / 55 lbs Draw Weight.
- Based on the Adjustment Chart found in Section 10, the draw weight can be adjusted via the Limb Bolts. To loosen, turn the limb bolt counterclockwise, or to tighten by turning the Limb Bolt clockwise (Fig. 5).

CAUTION: BE SURE THAT BOTH LIMB BOLTS ON TOP AND BOTTOM LIMBS ARE SET AT THE SAME NUMBER OF TURNS. UNEVEN LIMB DRAW WEIGHTS COULD CAUSE DAMAGE TO YOUR BOW AND COULD CAUSE INJURY TO THE SHOOTER.

- Always start the draw weight adjustment by tightening (turning clockwise) the limb bolts until they stop.
- Review the Adjustment Chart in Section 10 for draw length/draw weight data.
- To change draw weight, make ½ turns to the limb bolt until the desired draw weight is achieved. Be sure the top and bottom limb bolts are set at the same draw weight.

1b Arrow Rest Adjustment

- Adjust the arrow rest so that the arrow when loaded is perpendicular (90°) to the string and the arrow is level with the Berger Button hole (the hole that the arrow rest mounts to). (Fig. 6)
- For Windage (Left/Right) adjustment, loosen the Windage adjustment screw and slide the sight left or right. Retighten the clamping screw once adjustment is completed. (Fig. 7A)
- For Elevation (Up/Down) adjustment, Loosen the Elevation adjustment screw and slide the rest up or down to the desired position. Retighten the clamping screw once adjustment is completed (Fig. 7B).

IMPORTANT: Always align the arrow so that the Arrow slide stop (Fig. 6A) travels through the rest so that it is facing the loading area of the rest.

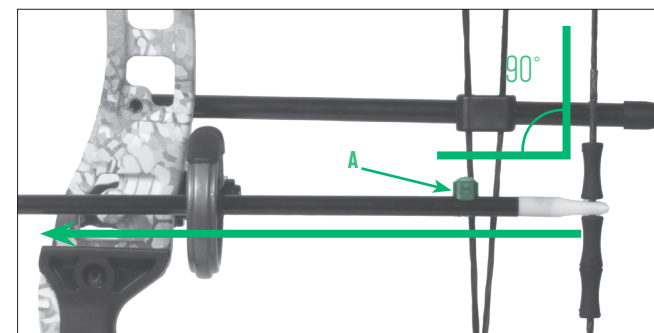


FIGURE 6

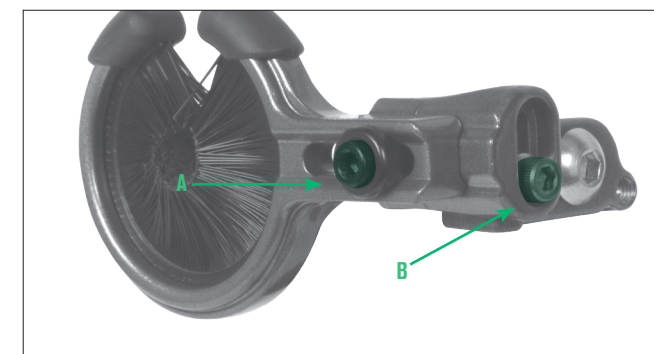


FIGURE 7

Section 4: ARROW AND ARROW SELECTION

⚠ WARNING:

- ARROW SELECTION DEPENDS ON THE PEAK DRAW WEIGHT, LET-OFF AND DRAW LENGTH SETTINGS OF YOUR BOW.
- THE INTERNATIONAL BOWHUNTERS ORGANIZATION (IBO) ALLOWS A MINIMUM OF FIVE GRAINS ARROW WEIGHT PER POUND OF PEAK WEIGHT.
- SHOOTING ARROWS BELOW THESE MINIMUM WEIGHT REQUIREMENTS WILL VOID THE WARRANTY.
- USING ARROWS BELOW FIVE GRAINS PER POUND OF PEAK WEIGHT CAN APPROACH DRY-FIRE CONDITIONS AND CAN SEVERELY REDUCE THE LIFE OF YOUR BOW, AND MAY CAUSE SERIOUS INJURY.

⚠ WARNING: WHISKER BISCUIT ARROW REST:

- THE TYPHON COMES WITH A WHISKER BISCUIT ARROW REST THAT HAS AN INNER DIAMETER OF 0.36".
- ONLY USE UNFLETCHED ARROWS WITH AN OUTSIDE DIAMETER OF 23/64" OR SMALLER.
- USE OF OVERSIZED AND/OR FLETCHED ARROWS MAY CAUSE DAMAGE TO THE WHISKER BISCUIT AND/OR SERIOUS INJURY TO THE USER.

- 1c Refer to arrow manufacturer's arrow specifications.
- 1d Contact your local archery pro shop or arrow manufacturers for arrow recommendations.
- 1e To determine the lightest arrow you can safely shoot, use the following format:

$$\text{Peak Draw Weight (LB)} \times 5 \text{ Grains Per Pound} = \text{Minimum Safe Arrow Weight (Grains)}$$

2 Mounting the Reel Seat and Reel

Your Typhon Bowfishing bow comes with the reel seat and reel installed from the factory. If the need to remove occurs please follow the steps below to reinstall

2a Affix the Reel Seat to the bow by first inserting the stud of the reel seat into the Reel Seat mounting hole (#8 in Fig. 1) on the front of the bow's riser.

2b Affix the reel to the reel seat as shown in the adjacent image by inserting the reel between the two collars on the reel seat and tightening the locking rings. (Fig. 8 A-D)

3 TYPHON SHOOTING INSTRUCTIONS

⚠ WARNING: ALWAYS MAKE SURE THAT THE ARROW SLIDE IS IN FRONT OF THE WHISKER BISCUIT ARROW REST. FAILURE TO DO SO COULD CAUSE DAMAGE TO THE EQUIPMENT AND RESULT IN SERIOUS INJURY TO THE USER.

The arrow slide supplied with the TYPHON Bowfishing package, when used properly helps to eliminate the possibility of "Arrow Snap Back". This is an occurrence where the Bowfishing line becomes tangled around a part of the bow which could impede the flight of the arrow. By keeping the string in front of the arrow rest and bow at all times. This will decrease the chances of the string becoming tangled.

3a Make sure that the arrow slide is **ALWAYS** in front of your Whisker Biscuit arrow rest. Any excessive slack line should be reeled in. **NEVER** allow the slide to pass over the rest.

3b Nock an arrow so the slide stop is oriented in an upward position so that it is oriented through the "V" on the Whisker Biscuit rest. (Fig. 6A)

3c The reel will remain in the closed or retrieval position to prevent excess line from falling out of the reel.

Prior to shooting the TYPHON Bowfishing bow, depress the reel trigger thumb button on the back of the reel. You are now ready to start fishing.

3d After any shot, turn the handle on the reel to retrieve the line. The reel will convert to the closed or line retrieval position automatically.

3e The reel on the TYPHON has an adjustable "drag". This setting may be adjusted according to the line weight and anticipated fish size. This is also adjustable "on the fly" during the act of reeling in a fish.

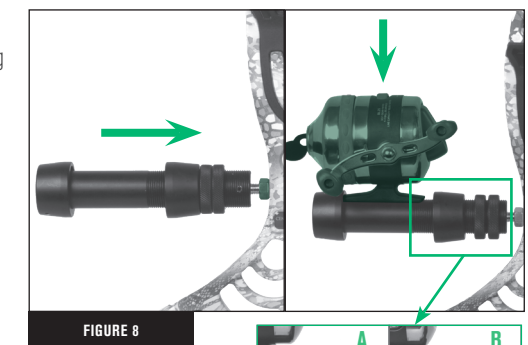
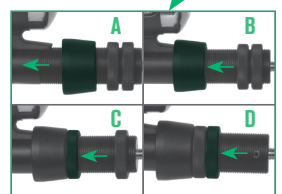
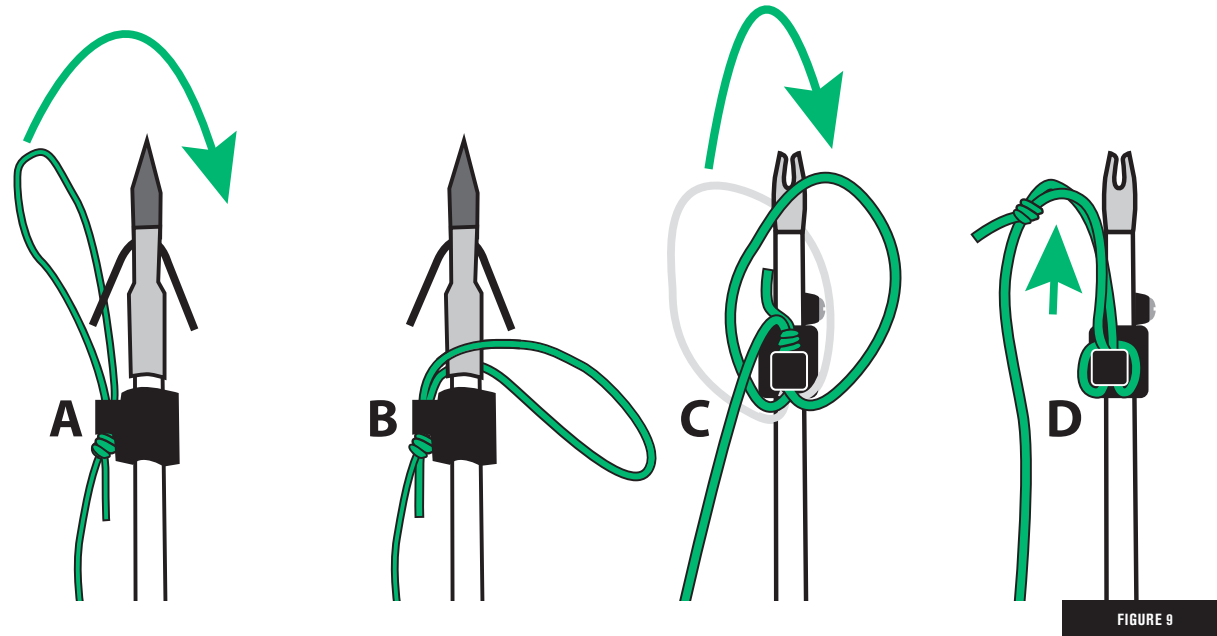


FIGURE 8



Section 5: ARROW SLIDE INSTALLATION

- Install the arrow Slide over the nock. If this is not possible due to the size of the nock, remove the nock and replace when finished. Ensure that the wide flat part of the slide faces rearward so that it impacts the pad.
- Install the arrow stop and pad protector using the stainless steel mounting screw provided. Place the pad / stop on the arrow shaft ensuring that the holes are aligned. Secure using the stainless screw. **DO NOT OVERTIGHTEN!**



- To attach the slide to the string, begin by creating a loop ~ 4 inches in length. Thread the loop through the back of the slide as shown in Fig. 9 **A**.
- Pass the Loop over the Broad head as shown in Fig. 9 **B**.
- Begin to pass the entire arrow through the loop by sliding the arrow slide towards the nock as shown in image Fig. 9 **C**.
- Repeat the same process passing the loop over the Nock as shown in image Fig. 9 **C**.
- Pull taught as in Fig. 9 **D**.
- You are now ready to shoot!

Section 6: MAINTAINING THE COMPOUND BOW

- NEVER DRY FIRE THE COMPOUND BOW.
- DO NOT MODIFY OR ALTER THE COMPOUND BOW. Attempts to modify the compound bow in any way inconsistent with this manual may render the compound bow unsafe to use, cause serious injury or death, and will void your warranty.
- If you drop the compound bow, check to see that it works properly before you use it again. Always check your compound bow thoroughly for worn, damaged, loose or missing parts prior to shooting.
- Inspect your arrows, field points, or broadheads for wear, damage, or nicks before using. If any wear, damage, or nicks are found, dispose of the arrows properly.

3a Strings and Cables

- We recommend the use of a quality string wax to reduce fraying and wear. Apply a light coat of bowstring wax to your strings and cables each time you shoot your bow.
- **DO NOT** apply wax to the area of the string that wraps around the cams.
- Inspect the strings and cables regularly and replace them when they become frayed or worn. Replace all cables and strings annually. If you are unfamiliar with replacing cables and strings, contact an established archery shop for assistance.

Section 6: MAINTAINING THE COMPOUND BOW (continued)

3b Cleaning

- Your bow should be kept clean of dust, mud, and grime. Use a damp soft cloth to remove dirt and/or any moisture. Do not use solvents as they may damage the finish. Lightly oil all steel parts (axles, mounting screws) to prevent rust.

3c Storage and Transportation

- Always store your compound bow in a cool, dry place.
- Do not expose you crossbow to excessive heat such as leaving it in an automobile trunk on a hot day or storing it next to a furnace vent.
- For long term storage, you can relax the limbs by following the instructions for making Draw Weight Adjustments by relaxing relax the limbs to lowest settings.

4 ADJUSTMENT CHART

Draw Length	Draw Weight (draw weight bolt should be fully tightened)	Draw Weight Adj Bolt Draw Weight			
		1 Full Turn	2 Full Turns	3 Full Turns	4 Full Turns
19"	26	21	17	13	9
20"	31	27	22	17	13
21"	33	27	23	17	14
22"	37	31	25	20	15
23"	39	33	27	22	18
24"	41	36	29	25	20
25"	44	38	32	27	22
26"	44	40	34	29	24
27"	48	42	37	31	27
28"	51	45	40	35	31
29"	55	50	45	40	35

SPECIFICATIONS

DRAW WEIGHT	15-55 lbs.	STRING LENGTH	48.9 in.
DRAW LENGTH	19-29 in.	WEIGHT	3.3 lbs.
AXLE TO AXLE	28 in.	LET OFF	70%
BRACE HEIGHT	7 in.	CABLE LENGTH	30.0 in.

LIMITED WARRANTY FOR CENTERPOINT ARCHERY TYPHON BOWFISHING BOW

Your CenterPoint® bowfishing bow is warranted to be free of defects in materials and workmanship for 5 years from the date of purchase. This warranty is not transferable and as such is limited to the original owner. This warranty does not cover damages due to fair wear and tear, failure to provide routine maintenance, and does not include cables, strings, reel, arrow rest, arrow slide, or accessories. In the event of a defect under this warranty, we will, at our option, repair or replace the product; provided, however, our inspection indicates that an original defect exists. CenterPoint reserves the right to replace any product which is no longer available with a product of comparable value and function. If CenterPoint determines the repair is not covered under the warranty guidelines, there could be a charge to you for the repair. This is a limited warranty and does not cover damages caused by dry fire, misuse, improper handling or installation or maintenance provided by someone other than a CenterPoint Authorized Service Station.

THIS LIMITED WARRANTY DOES NOT INCLUDE CONSEQUENTIAL DAMAGES, INCIDENTAL DAMAGES, OR INCIDENTAL EXPENSES, INCLUDING DAMAGE TO PROPERTY OR ANY OTHER EXPENSE. CENTERPOINT DISCLAIMS ANY IMPLIED WARRANTIES, INCLUDING THE IMPLIED WARRANTIES OF MERCHANTABILITY AND FITNESS. SOME STATES DO NOT ALLOW THE EXCLUSION OR LIMITATION OF INCIDENTAL OR CONSEQUENTIAL DAMAGES, OR ALLOW LIMITATIONS ON IMPLIED WARRANTIES SO THE ABOVE LIMITATIONS OR EXCLUSIONS MAY NOT APPLY TO YOU. TO THE EXTENT ANY PROVISION OF THIS WARRANTY IS PROHIBITED BY FEDERAL, STATE OR MUNICIPAL LAW, WHICH CANNOT BE PREEMPTED, IT SHALL NOT BE APPLICABLE. THIS WARRANTY GIVES YOU SPECIFIC LEGAL RIGHTS, AND YOU MAY ALSO HAVE OTHER RIGHTS, WHICH VARY FROM STATE TO STATE AND COUNTRY TO COUNTRY.

STOP – BEFORE YOU RETURN THIS PRODUCT TO THE STORE:

Contact our Customer Service representatives for help at (866) 726-1122 or through centerpointarchery.com.

WARRANTY CLAIMS / REPAIR SERVICE

If your product needs repair, DO NOT ATTEMPT TO DISASSEMBLE IT. Any disassembly or modification not performed by a CenterPoint Authorized Service Station will void the warranty.

U.S. Customers: Contact CenterPoint Customer Service through centerpointarchery.com/contact/, or at the below mailing address. We'll let you know where and how to send in your CenterPoint product for repair or replacement under warranty, or refer you to an authorized service center.

CenterPoint Archery
Attn: Warranty Dept.
3535 Tower Ave
Superior, WI 54880

If instructed to ship your CenterPoint product for warranty repair or replacement, please include your product, a copy of your receipt, and a brief written description of the problem you've encountered. Be sure to also include your name, mailing address, email address, and telephone number inside the package.

We strongly recommend insuring your shipment and using a service that provides a tracking number. CenterPoint is not liable for any merchandise damaged, lost, or stolen during shipping to or from CenterPoint.

Please allow from 2 to 4 weeks for warranty repair or replacement.

Canadian Customers: For warranty service, please contact the Gravel Agency in Quebec at (866) 662-4869.

Customers Outside of the U.S. or Canada: For warranty service, please contact the dealer or distributor from whom you purchased your CenterPoint product. If you do not know or cannot contact your dealer or distributor, our International Department may be reached for assistance at (715) 718-3574 or through centerpointarchery.com.



CenterPoint Archery
3535 Tower Ave.
Superior, WI 54880
United States of America
1.866.726.1122
centerpointarchery.com

Made in Taiwan

CENTERPOINT, the CENTERPOINT logo, and TYPHON are trademarks of Crosman Corporation.

WHISKER BISCUIT is a trademark of SOP Services, Inc. in the United States.

CenterPoint is a trademark of Crosman Corporation in the United States. © 2021 Crosman Corporation 01-21 OM

AVCT40KTA515